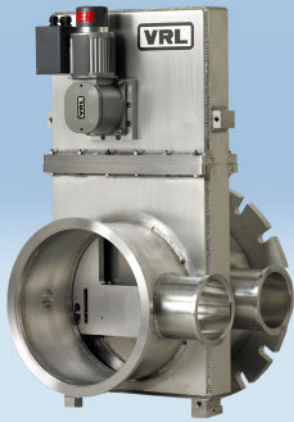


Valves with
Electric Motor,
Pneumatic, or
Manual Operator



Stainless Steel and Aluminum Vacuum Valves



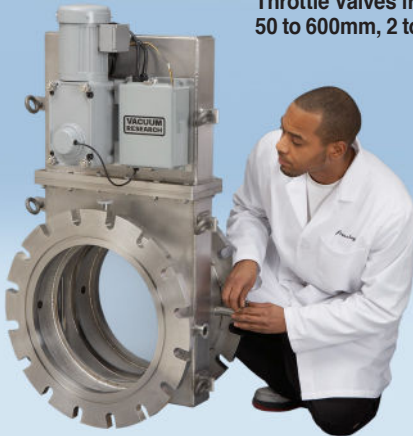
Rectangular Port Valves, Sizes to Fit Any Wafer or Solar Substrate



24 VDC Throttemaster™



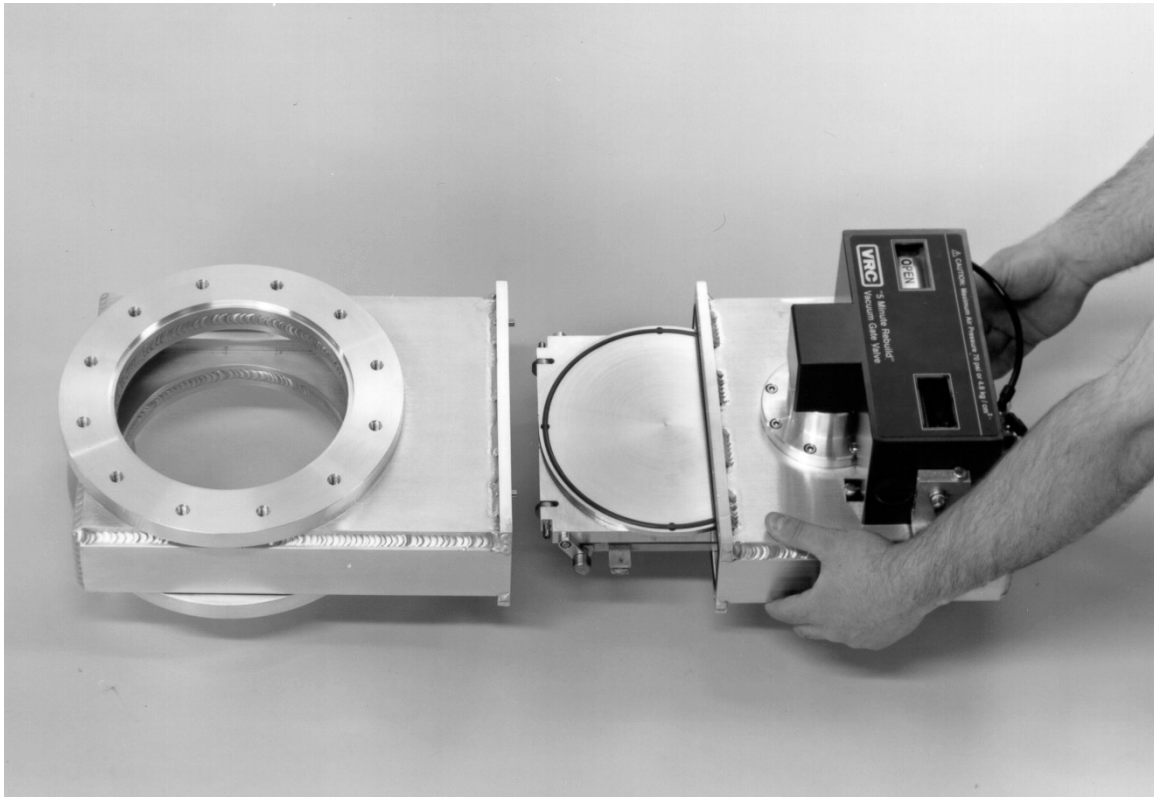
Throttle Valves from
50 to 600mm, 2 to 24 inch



Aluminum Valves with Conflat® Flanges;
Less Outgassing than Stainless Steel



2026 Vacuum Valve Catalog



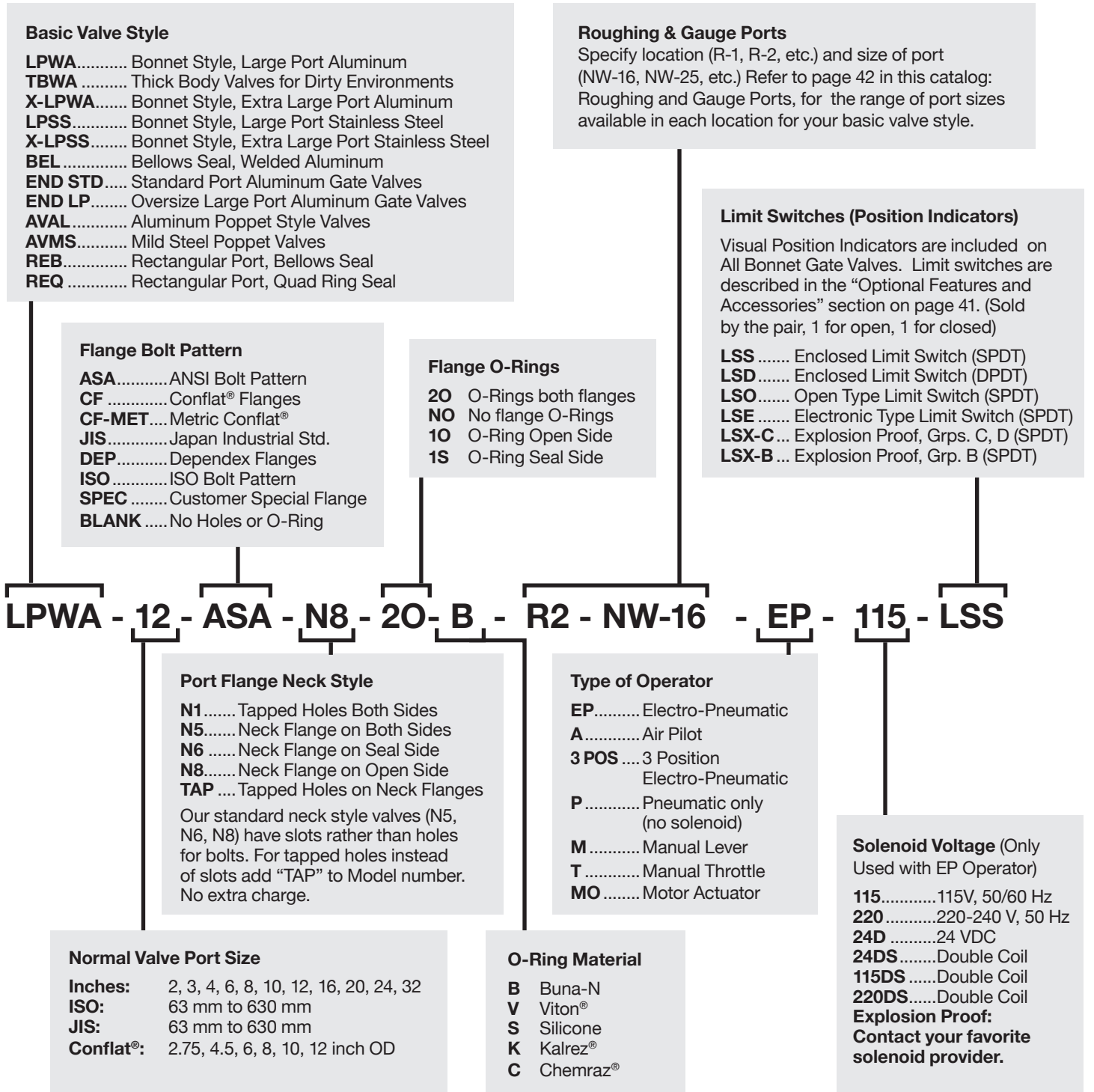
- **“5 Minute Rebuild” Vacuum Gate Valves**
- **Replace All Moving Parts in 5 Minutes**
- **The Port Section Stays in Your System**
- **All Valves (RoHS) 2015/863/EU Compliant**

Prices and specifications shown in this catalog replaces the information shown in earlier printed versions.
Price increases effective March 1, 2026.

March 2026



Vacuum Research valves are available with dozens of options to allow you to select exactly the features you need for your vacuum system. The model number system illustrated below will accurately describe most valves, but if you have any questions about the best way to specify what you need, just call or fax our customer service department and we will be happy to help you. All Valves are (RoHS) 2015/863/EU Compliant.



Call our toll free number (800) 426-9340, or (412) 261-7630 to place orders or for customer service. Our FAX number is (412) 261-7220. Address orders by mail to Vacuum Research Corporation, 100 Chapel Harbor Drive, #4, Pittsburgh, PA 15238 USA. Prices in this catalog are FOB factory. CIF or C&F prices available. Contact factory for pro forma invoice or price quotation. Terms are Net 30 days.



Throttlemaster™ is a registered trademark of Vacuum Research Corporation • Kalrez® and Viton® are registered trademarks of Dupont Corp. • Conflat® is a registered trademark of Varian Associates • Chemraz® is a registered trademark of Green, Tweed & Co. • SolidWorks logo art property of Dassault Systèmes.



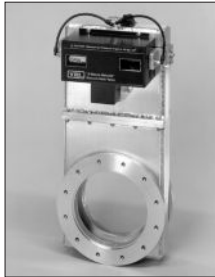
ANSI Gate Valves

5 Minute Rebuild Style..... page 5

Stainless Steel and 6061 Aluminum Gate Valves from 2 inch to 16 inch. Smooth surface finish gives low out-gassing and fast pump down

Large Gate Valves..... pages 8 & 9

Aluminum Gate Valves with ports from 2 inch to 32 inch. Closing speeds as fast as 75 mSeconds



ISO Gate Valves

5 Minute Rebuild Style.....page 12

Stainless Steel and Aluminum Gate Valves from 63 mm to 400 mm. All valves (RoHS) 2015/863/EU Compliant

Large Gate Valves.....page 14

Simple End Operated Air Cylinder Aluminum Gate Valves up to 630 mm

Clamps & Centering Rings.....page 42



JIS Gate Valves

5 Minute Rebuild Style.....page 10

250,000 Cycle Rotary Shaft Seal, Million Cycle Valves also available. Electro pneumatic or manual operation. Stainless Steel and Aluminum Gate Valves from 65 mm to 300 mm



Conflat® Gate Valves

5 Minute Rebuild Style..... page 16

End Operated Valves..... page 15

Stainless Steel and Aluminum with 2.75 to 12 inch OD Conflat® flanges

Angle Style Valves page 24

Stainless Steel from 1.33 to 3.38 inch



NW Valves

Angle & Inline Valvespage 26

NW-16 to NW-50 Manual & Pneumatic



Outgassing and Conductance Data — Page 40

- Bibliography of Technical Papers regarding Outgassing of Aluminum & Stainless Steel
- Molecular Conductance, Cylinder Capacity, Open/Close Times for Gate & Angle Valves



Feedthroughs: Rotary & Push-Pull Motion — Page 38

- Rotary & Push/Pull in Same Feedthrough
- High Torque, Use Solid or Hollow Shafts
- Hi Speeds, Intermittent Use to 1200 rpm
- 303 Stainless Steel or Ni Plated Brass



Throttle & Isolation Valves

Throttlemaster™page 20

Manual Throttle Valvespage 24

3 Position Throttlepage 25

- Aluminum or Stainless Steel Valves
- ISO Flanges from 25 to 630 mm
- ANSI Sizes from 2 inch to 24 inch
- Manual or Closed Loop Operation
- Seals up to 3 Atmospheres Differential
- Vacuum or Pressure Either Side
- 3 Position or P.I.D. Pressure



Rectangular Valves — page 18

- 1 inch X 6 inch to 4 inch X 24 inch Ports
- Fabricated Entirely From 6061-T6 Alum.
- Leak Rate Less Than 5 X 10-10 scc/sec
- Port Sizes to Fit Any Wafer or Display
- Bolt Pattern to Fit Any Tool or Chamber



Poppet Valves

2 to 24 inch ANSI Flanges 28

Low Profile Poppet Style..... 28

ISO-63 to ISO-500 Flanges 29

NW-16 to NW-50 Flanges..... 26

- Easy to Maintain Bonnet Design
- Leak Rate Less Than 5 X 10-10 scc/sec



Water Cooled Valves & Valves for Dust & Dirt — Pages 32-35

- Water Cooled Gates and Port Flanges
- Limit Switches/Position Indicators
- Port Sizes from 2 - 24 Inch, 63 - 630 mm



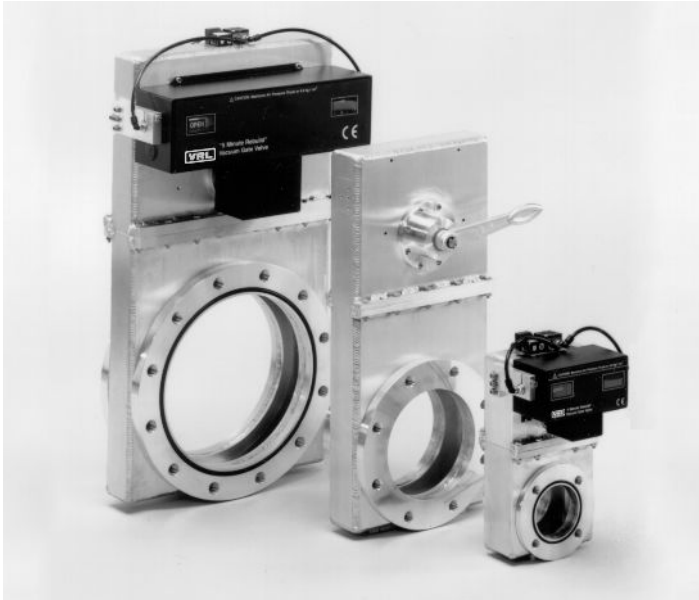
VRC 'T' Style Valves — Pages 36-37

- Replaces original VRC cast aluminum 'T' style valves
- Flange-to-Flange dimension is the same as the original 'T' style valve



Optional Features and Spare Parts — Pages 35 & 41-49

- Optional Quick Release Bonnet
- Limit Switches/Position Indicators
- Limit Switches/Position Indicators
- Replacement O-Rings and Seals



Aluminum valves with (left to right): Electro Pneumatic, Manual, and Motor Actuators. Stainless Steel valves also available.

ANSI, ISO, JIS, or Special Flanges

These Vacuum Research 5 minute rebuild valves are available with virtually any flange or combination of flanges at no extra charge. Combinations of ISO on one flange and ANSI on the other are easily accommodated. Even different sizes such as 4 inch on one flange and 6 inch on the other.

Insertable "Flangeless" Valves

It is sometimes helpful to keep the flange-to-flange dimension ("A" dimension on the dimensions pages) as short as possible. In such cases your valves can be provided with no port flanges at all and with either O-Ring grooves machined into the valve body or with a precision machined surface on the body to seal against the O-rings on your pump or chamber. Contact the factory for prices.

Aluminum or Stainless Steel

Vacuum Research Bonnet Style valves are available in stainless steel or 6061 aluminum. Smooth surface finish gives low outgassing and fast pump down.

High Conductance

In addition to the oversize ports used in the LPWA Series for the last 40 years, we now offer the X-LPWA Series where a 4 inch valve has a 6 inch port, an 8 inch valve has a 10 inch port, etc. Conductance values are shown on page 39.

Fail Safe

All Vacuum Research Bonnet Style Valves can be installed for fast close on power failure and air operated valves can be manually positioned without air or electricity.

Long Life

More than 250,000 cycles for aluminum valves. That's one cycle every 2 minutes, 24 hours/day for a year.

SolidWorks *.STEP Files

Contact us to obtain SolidWorks 3D *.STEP format modeling files that plug formatted VRC valve 3-D models into your computer-aided design projects.



Less Outgassing Than Stainless Steel

Dozens of papers show the 6000 Series aluminum used in VRC valves outgasses up to 2 orders of magnitude less than 300 Series stainless steel and of course no hydrogen. A bibliography of 70 peer reviewed papers about out-gassing compiled by Dr. M. Wong at Fermi Labs can be found at http://home.fnal.gov/~ml-wong/outgas_rev.htm. See page 40 for more information

Vacuum & Pressure

Vacuum Research valves stay sealed with vacuum or atmosphere on either side.

Satisfaction Guaranteed

Vacuum Research has been building high vacuum valves for almost 50 years and has earned a reputation for world class product quality and customer service. If you are not satisfied with our valve just send it back.

No Leaks

All Vacuum Research valves have total leak rates of less than 5 X 10⁻¹⁰ std cc/sec. By total leak we mean that each completed valve is tested in a He filled bag.

RoHS Compliant

All Valves are (RoHS) 2015/863/EU Compliant and carry the mark.

Electric Motor, Air or Manual Actuators

All Vacuum Research gate valves are available with 3 types of actuators. Manual actuators are the least expensive. Electro-pneumatic actuators use 70 psi (4.9 kg/cm) compressed air and include the solenoid (specify the solenoid voltage that is most convenient for you). Electric motor actuators use high torque servo motors and operate from 115V or 230V, 1Ø 50 or 60 Hz. CE Mark included.

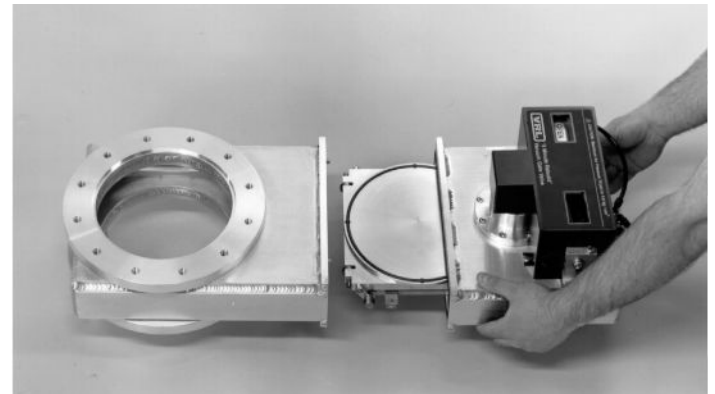
Roughing and Gauge Ports

There are six locations for optional gauge and roughing ports described on page 43.

Position Indicators, Limit Switches

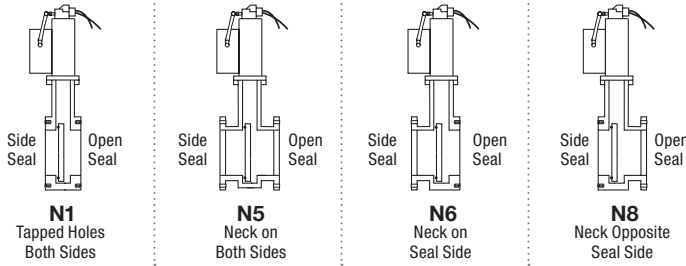
Visual indication of valve position is included on all valves. Limit switches for remote indication are available and are described on the Optional Features pages in the Accessories & Parts section.

Complete Rebuild in 5 Minutes.



With no special tools or training you can replace every moving part in your Vacuum Research Bonnet Style Valve in 5 minutes. (Our best guys can do it in less time, but they practice.)

Aluminum or Stainless, ANSI Flanges, Bonnet Style



For valves with ports up to 8 inches the actuator is on the same side as the gate seal, valves with ports 10 inches and larger have the actuator opposite the gate seal side.

Slots or Tapped Holes on Neck Flanges: Our standard neck style valves (N5, N6, N8) have slots rather than holes for bolts. For tapped holes instead of slots add “tapped” to Model number. No extra charge.

Stainless Steel Gates in Aluminum Valves: To specify a stainless steel gate in an aluminum valve add a suffix to the model number “SS Gate”. Refer to the “Optional Features and Accessories” page in this catalog for pricing information.

ORDERING INFORMATION

Model Number: Refer to page 2 for instructions on how to specify the features you need.

Electric Motor Actuators: Any Vacuum Research valve can be supplied with a high torque electric motor actuator. Refer to Electric Motor Actuator page in the Accessories & Parts section.

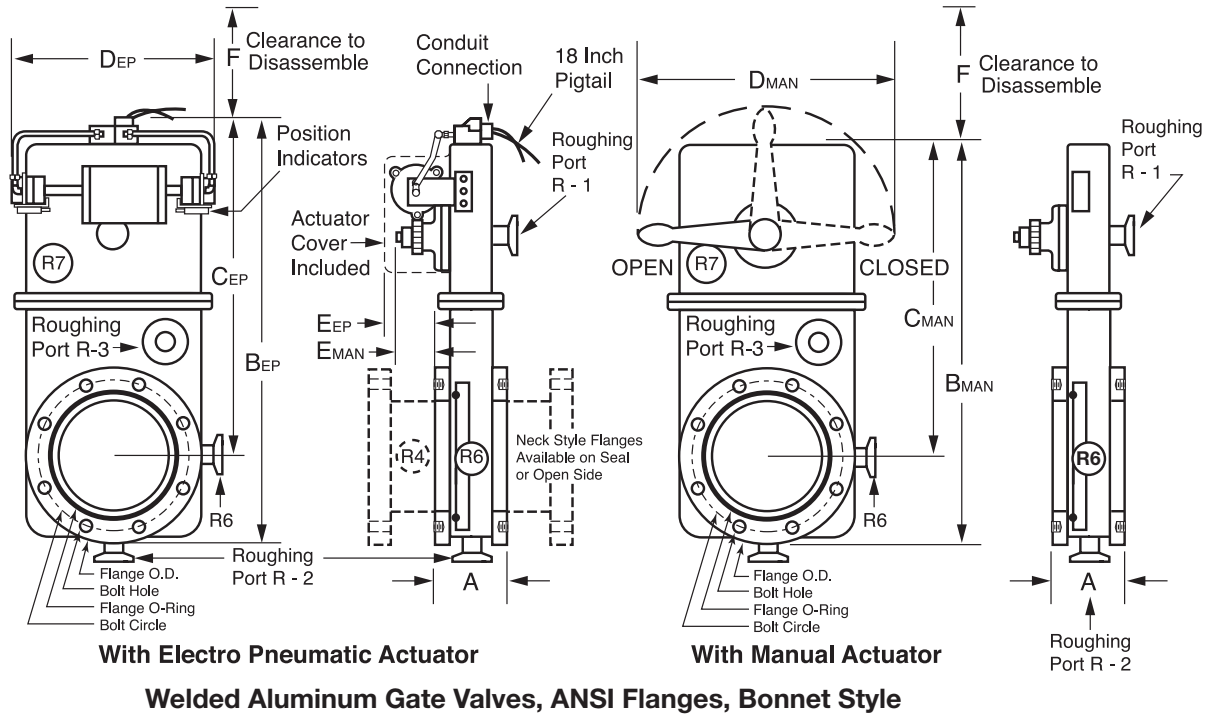
Special Features: Refer to pages 40-42 for specifications for roughing and gauge ports, position indicators & other special features.

Viton® or Kalrez® or Silicone O-Rings: Our standard Valves use a Viton® O-Ring for the gate seal and Buna-N O-Rings for all other locations. You may specify Viton® (or other materials) throughout the valve with a “V”, “S”, or “K” in the model number. For Viton® add the following to the price. (For Silicone or Kalrez® contact the factory for prices.)

2 or 3 inch valves	\$85	8 inch valves	\$252
4 inch valves	\$129	10 inch valves	\$329
6 inch valves	\$160	12 inch valves	\$424

Nominal Size	Electro-Pneumatic Operator “EP” Suffix				Manual Operator “M” Suffix			
	Aluminum Model & Neck Style	Price	Stainless Steel Model & Neck Style	Price	Aluminum Model & Neck Style	Price	Stainless Steel Model & Neck Style	Price
2 inch ANSI (ASA) (3.375” Port)	LPWA-2-ANSI-N1-EP LPWA-2-ANSI-N5-EP LPWA-2-ANSI-N6-EP LPWA-2-ANSI-N8-EP	\$2,255 \$2,529 \$2,263 \$2,263	LPSS-2-ANSI-N1-EP LPSS-2-ANSI-N5-EP LPSS-2-ANSI-N6-EP LPSS-2-ANSI-N8-EP	Contact Factory for Pricing	LPWA-2-ANSI-N1-M LPWA-2-ANSI-N5-M LPWA-2-ANSI-N6-M LPWA-2-ANSI-N8-M	\$1,933 \$2,201 \$2,006 \$2,006	LPSS-2-ANSI-N1-M LPSS-2-ANSI-N5-M LPSS-2-ANSI-N6-M LPSS-2-ANSI-N8-M	Contact Factory for Pricing
(4” Port)	X-LPWA same price as LPWA		X-LPSS same price as LPSS		X-LPWA same price as LPWA		X-LPSS same price as LPSS	
3 inch ANSI (ASA) (3.375” Port)	LPWA-3-ANSI-N1-EP LPWA-3-ANSI-N5-EP LPWA-3-ANSI-N6-EP LPWA-3-ANSI-N8-EP	\$2,539 \$2,699 \$2,636 \$2,636	LPSS-3-ANSI-N1-EP LPSS-3-ANSI-N5-EP LPSS-3-ANSI-N6-EP LPSS-3-ANSI-N8-EP	Contact Factory for Pricing	LPWA-3-ANSI-N1-M LPWA-3-ANSI-N5-M LPWA-3-ANSI-N6-M LPWA-3-ANSI-N8-M	\$2,211 \$2,444 \$2,309 \$2,309	LPSS-3-ANSI-N1-M LPSS-3-ANSI-N5-M LPSS-3-ANSI-N6-M LPSS-3-ANSI-N8-M	Contact Factory for Pricing
(4” Port)								
4 inch ANSI (ASA) (5.375” Port)	LPWA-4-ANSI-N1-EP LPWA-4-ANSI-N5-EP LPWA-4-ANSI-N6-EP LPWA-4-ANSI-N8-EP	\$2,785 \$3,168 \$3,014 \$3,014	LPSS-4-ANSI-N1-EP LPSS-4-ANSI-N5-EP LPSS-4-ANSI-N6-EP LPSS-4-ANSI-N8-EP	Contact Factory for Pricing	LPWA-4-ANSI-N1-M LPWA-4-ANSI-N5-M LPWA-4-ANSI-N6-M LPWA-4-ANSI-N8-M	\$2,415 \$2,795 \$2,645 \$2,645	LPSS-4-ANSI-N1-M LPSS-4-ANSI-N5-M LPSS-4-ANSI-N6-M LPSS-4-ANSI-N8-M	Contact Factory for Pricing
(6” Port)								
6 inch ANSI (ASA) (7.125” Port)	LPWA-6-ANSI-N1-EP LPWA-6-ANSI-N5-EP LPWA-6-ANSI-N6-EP LPWA-6-ANSI-N8-EP	\$3,786 \$4,339 \$4,013 \$4,013	LPSS-6-ANSI-N1-EP LPSS-6-ANSI-N5-EP LPSS-6-ANSI-N6-EP LPSS-6-ANSI-N8-EP	Contact Factory for Pricing	LPWA-6-ANSI-N1-M LPWA-6-ANSI-N5-M LPWA-6-ANSI-N6-M LPWA-6-ANSI-N8-M	\$3,239 \$3,777 \$3,464 \$3,464	LPSS-6-ANSI-N1-M LPSS-6-ANSI-N5-M LPSS-6-ANSI-N6-M LPSS-6-ANSI-N8-M	Contact Factory for Pricing
(8” Port)								
8 inch ANSI (ASA) (8” Port)	LPWA-8-ANSI-N1-EP LPWA-8-ANSI-N5-EP LPWA-8-ANSI-N6-EP LPWA-8-ANSI-N8-EP	\$5,226 \$5,636 \$5,429 \$5,429	LPSS-8-ANSI-N1-EP LPSS-8-ANSI-N5-EP LPSS-8-ANSI-N6-EP LPSS-8-ANSI-N8-EP	Contact Factory for Pricing	LPWA-8-ANSI-N1-M LPWA-8-ANSI-N5-M LPWA-8-ANSI-N6-M LPWA-8-ANSI-N8-M	\$4,407 \$5,075 \$4,874 \$4,874	LPSS-8-ANSI-N1-M LPSS-8-ANSI-N5-M LPSS-8-ANSI-N6-M LPSS-8-ANSI-N8-M	Contact Factory for Pricing
(10” Port)								
10 inch ANSI (ASA) (11.625” Port)	LPWA-10-ANSI-N1-EP LPWA-10-ANSI-N5-EP LPWA-10-ANSI-N6-EP LPWA-10-ANSI-N8-EP	\$6,807 \$7,349 \$7,049 \$7,049	LPSS-10-ANSI-N1-EP LPSS-10-ANSI-N5-EP LPSS-10-ANSI-N6-EP LPSS-10-ANSI-N8-EP	Contact Factory for Pricing	LPWA-10-ANSI-N1-M LPWA-10-ANSI-N5-M LPWA-10-ANSI-N6-M LPWA-10-ANSI-N8-M	\$6,125 \$6,649 \$6,387 \$6,387	LPSS-10-ANSI-N1-M LPSS-10-ANSI-N5-M LPSS-10-ANSI-N6-M LPSS-10-ANSI-N8-M	Contact Factory for Pricing
(12” Port)								
12 inch ANSI (ASA) (12” Port)	LPWA-12-ANSI-N1-EP LPWA-12-ANSI-N5-EP LPWA-12-ANSI-N6-EP LPWA-12-ANSI-N8-EP	\$8,457 \$8,976 \$8,695 \$8,695	LPSS-12-ANSI-N1-EP LPSS-12-ANSI-N5-EP LPSS-12-ANSI-N6-EP LPSS-12-ANSI-N8-EP	Contact Factory for Pricing	LPWA-12-ANSI-N1-M LPWA-12-ANSI-N5-M LPWA-12-ANSI-N6-M LPWA-12-ANSI-N8-M	\$7,726 \$8,230 \$7,957 \$7,957	LPSS-12-ANSI-N1-M LPSS-12-ANSI-N5-M LPSS-12-ANSI-N6-M LPSS-12-ANSI-N8-M	Contact Factory for Pricing
16 inch ANSI (ASA) (16” Port)	LPWA-16-ANSI-N1-EP	\$16,985	LPSS-16-ANSI-N1-EP	Contact Factory	LPWA-16-ANSI-N1-M	\$15,389	LPSS-16-ANSI-N1-M	Contact Factory
Contact factory for prices of 16 inch aluminum valves with N5, N6, and N8 neck styles, and for all 16 inch stainless steel valves								

Aluminum or Stainless, ANSI Flanges, Bonnet Style



All dimensions in inches. Roughing ports and position indicator limit switches optional. Flanges available without O-rings.
 For valves with ports up to 8 inches the actuator is on the same side as the gate seal, valves with ports 10 inches and larger have the actuator opposite the gate seal side.

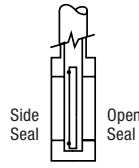
Nominal ANSI Size	Model No. ANSI Flange	Port Diam. Choose LPSS or X-LPSS	ANSI Flange Out. Diam.	LPSS Flange O-Rings Contact factory for X-LPSS O-Rings	Bolt Circle	(no of bolts) x bolts size	A Flange to Flange	B _{MAN} Manual Overall Weight	B _{EP} EP Overall Weight	C _{EP} Port CL to top of Valve	D _{MAN} Manual Overall Width	D _{EP} EP Overall Width	E _{MAN} Manual	E _{EP} EP	F Dis-assembly Clearance	Net Wt. lbs.	Ship Wt. lbs.
2 inch	LPSS 2 N1	LPSS	6.00	3.625 ID X .139	4.75	(4) 3/8-16	2.970	11.00	12.25	9.25	10.00	8.50	2.063	2.375	2.625	30	40
2 inch	LPSS 2 N5	3.375 in. X-LPWA	6.00	3.625 ID X .139	4.75	(4) Slotted	5.720	11.00	12.25	9.25	10.00	8.50	2.063	2.375	2.625	30	40
2 inch	LPSS 2 N6 & 8	4 in.	6.00	3.625 ID X .139	4.75	Neck Side Slotted	4.345	11.00	12.25	9.25	10.00	8.50	2.063	2.375	2.625	30	40
3 inch	LPSS 3 N1	LPSS	7.50	4.00 ID X .139	6.00	(4) 3/8-16	2.970	11.75	13.00	9.25	10.00	8.50	2.063	2.375	2.625	40	50
3 inch	LPSS 3 N5	3.375 in. X-LPWA	7.50	4.00 ID X .139	6.00	(4) Slotted	5.720	11.75	13.00	9.25	10.00	8.50	2.063	2.375	2.625	40	50
3 inch	LPSS 3 N6 & 8	4 in.	7.50	4.00 ID X .139	6.00	Neck Side Slotted	4.345	11.75	13.00	9.25	10.00	8.50	2.063	2.375	2.625	40	50
4 inch	LPSS 4 N1	LPSS	9.00	5.75 ID X .139	7.50	(8) 3/8-16	3.610	17.25	18.50	14.00	16.00	10.125	2.25	3.50	4.50	75	85
4 inch	LPSS 4 N5	5.375 in. X-LPWA	9.00	5.75 ID X .139	7.50	(8) Slotted	6.610	17.25	18.50	14.00	16.00	10.125	2.25	3.50	4.50	75	85
4 inch	LPSS 4 N6 & 8	6 in.	9.00	5.75 ID X .139	7.50	Neck Side Slotted	5.110	17.25	18.50	14.00	16.00	10.125	2.25	3.50	4.50	75	85
6 inch	LPSS 6 N1	LPSS	11.00	7.50 ID X .139	9.50	(8) 3/4-10	3.860	20.75	22.00	16.375	16.00	12.50	2.625	3.375	5.50	83	108
6 inch	LPSS 6 N5	7.125 in. X-LPWA	11.00	7.50 ID X .139	9.50	(8) Slotted	7.360	20.75	22.00	16.375	16.00	12.50	2.625	3.375	5.50	83	108
6 inch	LPSS6 N6 & 8	8 in.	11.00	7.50 ID X .139	9.50	Neck Side Slotted	5.610	20.75	22.00	16.375	16.00	12.50	2.625	3.375	5.50	83	108
8 inch	LPSS 8 N1	LPSS	13.50	9.00 ID X .275	11.75	(8) 3/4-10	3.860	21.875	23.125	16.375	16.00	12.50	2.625	3.125	5.50	100	120
8 inch	LPSS 8 N5	8 in. X-LPWA	13.50	9.00 ID X .275	11.75	(8) Slotted	7.360	21.875	23.125	16.375	16.00	12.50	2.625	3.125	5.50	100	120
8 inch	LPSS 8 N6 & 8	10 in.	13.50	9.00 ID X .275	11.75	Neck Side Slotted	5.610	21.875	23.125	16.375	16.00	12.50	2.625	3.125	5.50	100	120
10 inch	LPSS 10 N1	LPSS	16.00	12.00 ID X .275	14.25	(12) 3/4-10	4.110	30.438	31.668	23.668	21.00	18.00	2.938	3.125	4.75	147	170
10 inch	LPSS 10 N5	11.625 in. X-LPWA	16.00	12.00 ID X .275	14.25	(12) Slotted	7.610	30.438	31.668	23.668	21.00	18.00	2.938	3.125	4.75	147	171
10 inch	LPSS 10 N6 & 8	12 in.	16.00	12.00 ID X .275	14.25	Neck Side Slotted	5.860	30.438	31.668	23.668	21.00	18.00	2.938	3.125	4.75	147	171
12 inch	LPSS 12 N1	12.00	19.00	13.00 ID X .275	17.00	(12) 3/4-10	4.110	32.00	33.25	23.668	21.00	18.00	2.938	3.125	4.75	150	180
12 inch	LPSS 12 N5	12.00	19.00	13.00 ID X .275	17.00	(12) Slotted	7.610	32.00	33.25	23.668	21.00	18.00	2.938	3.125	4.75	150	180
12 inch	LPSS 12 N6 & 8	12.00	19.00	13.00 ID X .275	17.00	Neck Side Slotted	5.860	32.00	33.25	23.668	21.00	18.00	2.938	3.125	4.75	150	180
16 inch	LPSS 16 N1	16.00	23.50	17.00 ID X .275	21.25	(16) 1-8	5.750	41.63	42.63	30.188	21.00	21.00	4.94	6.33	7.75	250	400

End Operated Aluminum Gate Valves; Standard Size Ports with ANSI Flanges

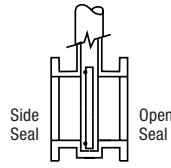


Stainless Steel Gates in Aluminum Valves: Add suffix "SS Gate" to the model number to specify a stainless steel gate in an aluminum valve. Refer to the "Optional Features and Accessories" page for pricing information.

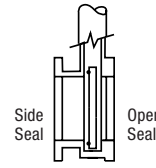
- Less Outgassing Than Stainless, See Page 40
- Seal with Vacuum or Atmosphere on Either Side
- Helium Tested to 5×10^{-10} scc per second
- All Valves (RoHS) 2015/863/EU Compliant
- Flanges to Match Diffusion & Cryo Pumps
- Closing Speeds as Fast as 75 mSec. Available
- Optional Operation to 10 Bar, 147 PSIG; \$260.
- Optional Remote Position Indicators
- NW & Compression Gauge & Roughing Ports
- Automatic Closure on Power Failure



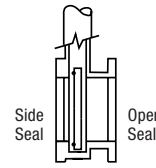
N1
Tapped Holes
Both Sides



N5
Neck on
Both Sides

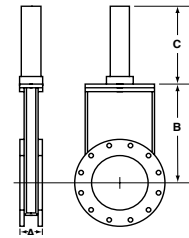


N6
Neck on
Seal Side



N8
Neck Opposite
Seal Side

Nom. Size	Model No. Dimensions in Inches	Port Diam.	Flange O.D.	Flange O-Rings	Bolt Circle	(no of bolts) x bolts size	A Flange to Flange	B	C	List Price
2 inch	END STD 2 N1	2.00	6.00	3.50 ID X .139	4.75	(4) 5/8-11	3.125	6.25	7.375	\$1,655
2 inch	END STD 2 N5	2.00	6.00	3.50 ID X .139	4.75	(4) Slotted	4.875	6.25	7.375	\$1,964
2 inch	END STD 2 N6 & N8	2.00	6.00	3.50 ID X .139	4.75	Neck Side Slotted	4.00	6.25	7.375	\$1,808
3 inch	END STD 3 N1	3.00	7.50	4.00 ID X .139	6.00	(4) 5/8-11	3.75	8.375	9.406	\$2,473
3 inch	END STD 3 N5	3.00	7.50	4.00 ID X .139	6.00	(4) Slotted	6.50	8.375	9.406	\$2,629
3 inch	END STD 3 N6 & N8	3.00	7.50	4.00 ID X .139	6.00	Neck Side Slotted	5.125	8.375	9.406	\$2,567
4 inch	END STD 4 N1	4.00	9.00	5.75 ID X .139	7.50	(8) 5/8-11	4.125	8.375	9.406	\$2,630
4 inch	END STD 4 N5	4.00	9.00	5.75 ID X .139	7.50	(8) Slotted	7.125	8.375	9.406	\$3,010
4 inch	END STD 4 N6 & N8	4.00	9.00	5.75 ID X .139	7.50	Neck Side Slotted	5.625	8.375	9.406	\$2,862
6 inch	END STD 6 N1	6.00	11.00	7.50 ID X .139	9.50	(8) 3/4-10	4.375	11.375	11.656	\$2,972
6 inch	END STD 6 N5	6.00	11.00	7.50 ID X .139	9.50	(8) Slotted	7.875	11.375	11.656	\$3,460
6 inch	END STD 6 N6 & N8	6.00	11.00	7.50 ID X .139	9.50	Neck Side Slotted	6.125	11.375	11.656	\$3,175
8 inch	END STD 8 N1	8.00	13.50	9.00 ID X .275	11.75	(8) 3/4-10	4.375	14.313	13.719	\$4,509
8 inch	END STD 8 N5	8.00	13.50	9.00 ID X .275	11.75	(8) Slotted	7.785	14.313	13.719	\$4,918
8 inch	END STD 8 N6 & N8	8.00	13.50	9.00 ID X .275	11.75	Neck Side Slotted	6.125	14.313	13.719	\$4,714
10 inch	END STD 10 N1	10.00	16.00	12.00 ID X .275	14.25	(12) 7/8-9	4.625	19.063	15.969	\$6,675
10 inch	END STD 10 N5	10.00	16.00	12.00 ID X .275	14.25	(12) Slotted	8.125	19.063	15.969	\$7,164
10 inch	END STD 10 N6 & N8	10.00	16.00	12.00 ID X .275	14.25	Neck Side Slotted	6.375	19.063	15.969	\$6,900
12 inch	END STD 12 N1	12.00	19.00	13.00 ID X .275	17.00	(12) 1-8	4.625	21.00	18.00	\$8,271
12 inch	END STD 12 N5	12.00	19.00	13.00 ID X .275	17.00	(12) Slotted	8.125	21.00	18.00	\$8,796
12 inch	END STD 12 N6 & N8	12.00	19.00	13.00 ID X .275	17.00	Neck Side Slotted	6.375	21.00	18.00	\$8,542
16 inch	END STD 16 N1	16.00	23.50	17.00 ID X .275	21.25	(16) 1-8	6.50	27.625	23.03	\$15,847
18 inch	END STD 18 N1	18.00	25.00	19.00 ID X .275	22.75	(16)	7.81	35.56	28.50	\$23,746
20 inch	END STD 20 N1	20.00	27.50	22.00 ID X .275	25.00	(20) 1 1/8-7	7.88	35.75	27.031	\$24,820
22 inch	END APD CRYO SHI-APD CP-22	22.00	27.50	No O-Ring on Pump (Seal Side)	25.00	(20) 1 1/8-7	7.625	35.75	27.031	\$24,859
24 inch	END STD 24 N1	24.00	32.00	26.00 ID X .275	29.50	(20) 1 1/4-7	8.56	42.50	30.50	\$35,761



ORDERING INFORMATION

Model Number: Refer to page 2 for instructions on how to specify the features you need.

Position Indicators: Two reed switches activated by a magnet inside the pneumatic actuator provide closure for open and closed position. SPST contacts rated 0.5A @ 110 or 220 VAC non-inductive.

Add LSE to Model No..... \$185/pair

Gauge and Roughing Ports: See page 43 for sizes and prices.

200 PSI Shaft Seal\$308

Special Features: Refer to page 41 and 42 for information on special features and accessories.

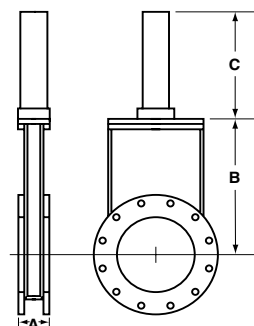
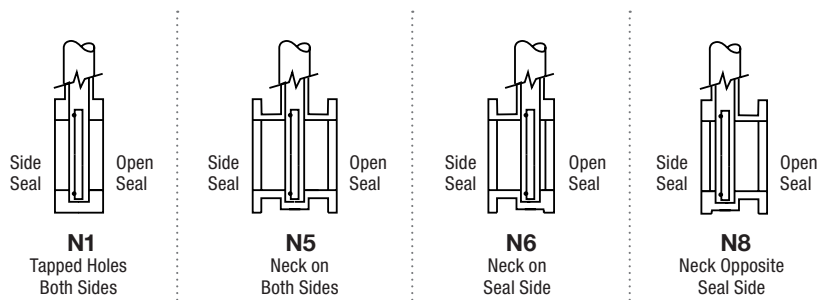
Viton® or Kalrez® or Silicone O-Rings: Our standard Valves use a Viton® O-Ring for the gate seal and Buna-N O-Rings for all other locations. You may specify Viton® (or other materials) throughout the valve with a "V", "S", or "K" in the model number. For Viton® add the following to the price. (Contact factory for Silicone or Kalrez® prices.)

- 2 or 3 in. valves \$85
- 4 in. valves\$129
- 6 in. valves\$160
- 8 in. valves \$252
- 10 in. valves \$329
- 12 in. valves \$424

End Operated Aluminum Gate Valves; Over Size Large Ports with ANSI Flanges



- Less Outgassing Than Stainless, See Page 40
- Simple End Operated Air Cylinder
- Over 100,000 Cycles Without Maintenance
- Helium Tested to 5 X 10⁻¹⁰ scc/s
- All Valves (RoHS) 2015/863/EU Compliant
- Flanges to Match Diffusion & Cryo Pumps
- Closing Speeds as Fast as 75 mSec. Available
- Optional Operation to 10 Bar, 147 PSIG; \$260.
- Optional Remote Position Indicators
- NW & Compression Gauge & Roughing Ports
- Automatic Closure on Power Failure



Stainless Steel Gates in Aluminum Valves: To specify a stainless steel gate in an aluminum valve add suffix "SS Gate" to the model number. Refer to "Optional Features and Accessories" section of this catalog for pricing information.

Nom. Size	Model No. Dimensions in Inches	Port Diam.	Flange O.D.	Flange O-Rings	Bolt Circle	(no of bolts) x bolts size	A Flange to Flange	B	C	List Price
2 inch	END LP2 N1	2.00	6.00	3.50 ID X .139	4.75	(4) 5/8-11	3.125	8.375	9.406	\$1,609
2 inch	END LP2 N5	2.00	6.00	3.50 ID X .139	4.75	(4) Slotted	4.875	8.375	9.406	\$1,906
2 inch	END LP2 N6 & N8	2.00	6.00	3.50 ID X .139	4.75	Neck Side Slotted	4.00	8.375	9.406	\$1,755
3 inch	END LP3 N1	4.00	7.50	4.5 ID X .139	6.00	(4) 5/8-11	3.75	8.375	9.406	\$2,401
3 inch	END LP3 N5	4.00	7.50	4.5 ID X .139	6.00	(4) Slotted	6.50	8.375	9.406	\$2,552
3 inch	END LP3 N6 & N8	4.00	7.50	4.5 ID X .139	6.00	Neck Side Slotted	5.125	8.375	9.406	\$2,493
4 inch	END LP4 N1	6.00	9.00	6.25 ID X .139	7.50	(8) 5/8-11	4.125	11.375	11.656	\$2,465
4 inch	END LP4 N5	6.00	9.00	6.25 ID X .139	7.50	(8) Slotted	7.125	11.375	11.656	\$2,821
4 inch	END LP4 N6 & N8	6.00	9.00	6.25 ID X .139	7.50	Neck Side Slotted	5.625	11.375	11.656	\$2,681
6 inch	END LP6 N1	8.00	11.00	8.25 ID X .139	9.50	(8) 3/4-10	4.375	14.313	13.719	\$2,876
6 inch	END LP6 N5	8.00	11.00	8.25 ID X .139	9.50	(8) Slotted	7.875	14.313	13.719	\$3,295
6 inch	END LP6 N6 & N8	8.00	11.00	8.25 ID X .139	9.50	Neck Side Slotted	6.125	14.313	13.719	\$2,995
8 inch	END LP8 N1	10.00	13.50	10.50 ID X .275	11.75	(8) 3/4-10	4.375	19.063	15.969	\$4,673
8 inch	END LP8 N5	10.00	13.50	10.50 ID X .275	11.75	(8) Slotted	7.785	19.063	15.969	\$5,048
8 inch	END LP8 N6 & N8	10.00	13.50	10.50 ID X .275	11.75	Neck Side Slotted	6.125	19.063	15.969	\$4,862
10 inch	END LP10 N1	12.00	16.00	12.50 ID X .275	14.25	(12) 7/8-9	4.625	21.00	18.00	\$5,762
10 inch	END LP10 N5	12.00	16.00	12.05 ID X .275	14.25	(12) Slotted	8.125	21.00	18.00	\$6,222
10 inch	END LPN6 & N8	12.00	16.00	12.05 ID X .275	14.25	Neck Side Slotted	6.375	21.00	18.00	\$5,998
22 inch	END APD CRYO SHI-APD CP-22	21.75	27.50	No O-Ring on Pump (Seal Side)	25.00	(20) 1 1/8-7	7.625	37.75	27.031	\$12,273

ORDERING INFORMATION

Model Number: Refer to page 2 for instructions on how to specify the features you need.

Position Indicators: Two reed switches activated by a magnet inside the pneumatic actuator provide closure for open and closed position. SPST contacts rated 0.5A @ 110 or 220 VAC non-inductive. Add LSE to Model No. Add SE to Model No. \$231/pair

Gauge and Roughing Ports: See page 43 for sizes and prices.

200 PSI Shaft Seal \$370

Special Features: Refer to page 41 and 42 for information on special features and accessories.

Viton® or Kalrez® or Silicone O-Rings: Viton® or Kalrez® or Silicone O-Rings: Our standard Valves use a Viton® O-Ring for the gate seal and Buna-N O-Rings for all other locations. You may specify Viton® (or other materials) throughout the valve with a "V", "S", or "K" in the model number. For Viton® add the following to the price. (For Silicone or Kalrez® contact the factory for prices.)

2 or 3 in. valves \$85
4 in. valves\$129
6 in. valves\$160
8 in. valves\$252
10 in. valves\$329
12 in. valves \$424



- Less Outgassing Than Stainless, See Page 40
- 250,000 Cycle Rotary Shaft Seal
- Million Cycle Valves Also Available
- Large Port, Mates With JIS Flanges
- 6 Optional Roughing Port Locations
- Helium Leak Less Than 5×10^{-10} scc/sec
- All Valves (RoHS) 2015/863/EU Compliant
- Fail Safe Design, Close On Power Loss
- Vacuum & Pressure; Optional Seal to 3 ATM.
- Optional Operation to 10 Bar, 147 PSIG

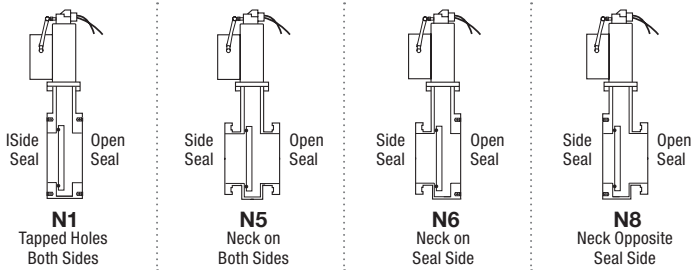
ORDERING INFORMATION

Model Number: Refer to page 2 for instructions on how to specify the features you need.

Electric Motor Actuators: Any Vacuum Research valve can be supplied with a high torque electric motor actuator. Refer to "Electric Motor Actuator" Page in the Accessories and Parts section.

Special Features: Refer to pages 40-43 for specifications for roughing and gauge ports, position indicators & other special features.

Viton® or Kalrez® or Silicone O-Rings: Our standard Valves use a Viton® O-Ring for the gate seal and Buna-N O-Rings for all other locations. You may specify Viton® or other materials throughout the valve with a "V", "S", or "K" in the model number. For Viton® add the following to the price. (For Silicone or Kalrez® contact the factory for prices.)

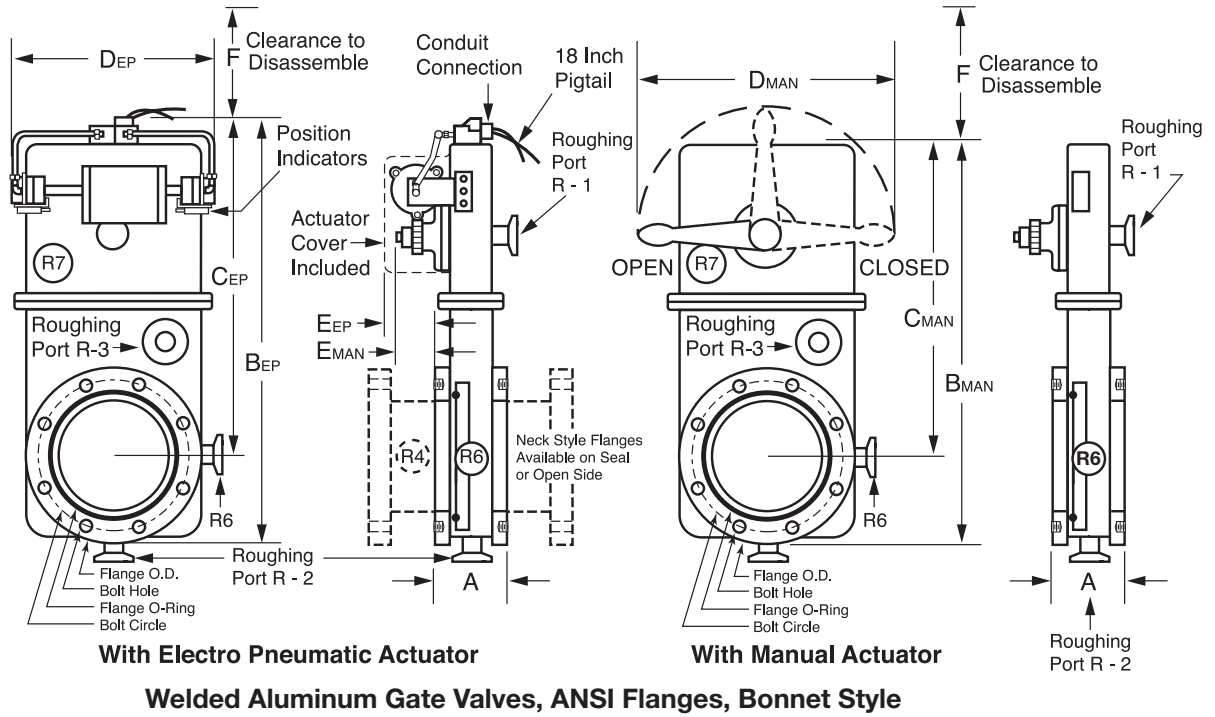


For valves with ports up to 200 mm the actuator is on the same side as the gate seal, valves with ports 250 mm and larger have the actuator opposite the gate seal side.

63 or 80 mm valves	\$85	200 mm valves	\$252
100 mm valves	\$129	250 mm valves	\$329
160 mm valves	\$160	320 mm valves	\$424

Nominal Size	Electro-Pneumatic Operator "EP" Suffix				Manual Operator "M" Suffix			
	Aluminum Model & Neck Style	Price	Stainless Steel Model & Neck Style	Price	Aluminum Model & Neck Style	Price	Stainless Steel Model & Neck Style	Price
65 mm One piece style	OP-65-JIS-N1-EP	\$1,749	OPSS-65-JIS-N1-EP	Contact Factory for Pricing	OP-65-JIS-N1-M	\$1,455	OPSS-65-JIS-N1-M	Contact Factory for Pricing
	OP-65-JIS-N5-EP	\$2,592	OPSS-65-JIS-N5-EP	Contact Factory for Pricing	OP-65-JIS-N5-M	\$1,763	OPSS-65-JIS-N5-M	Contact Factory for Pricing
	OP-65-JIS-N6-EP	\$1,904	OPSS-65-JIS-N6-EP	Contact Factory for Pricing	OP-65-JIS-N6-M	\$1,611	OPSS-65-JIS-N6-M	Contact Factory for Pricing
	OP-65-JIS-N8-EP	\$1,904	OPSS-65-JIS-N8-EP	Contact Factory for Pricing	OP-65-JIS-N8-M	\$1,611	OPSS-65-JIS-N8-M	Contact Factory for Pricing
80 mm	LPWA-80-JIS-N1-EP	\$2,375	LPSS-80-JIS-N1-EP	Contact Factory for Pricing	LPWA-80-JIS-N1-M	\$2,052	LPSS-80-JIS-N1-M	Contact Factory for Pricing
	LPWA-80-JIS-N5-EP	\$2,559	LPSS-80-JIS-N5-EP	Contact Factory for Pricing	LPWA-80-JIS-N5-M	\$2,391	LPSS-80-JIS-N5-M	Contact Factory for Pricing
	LPWA-80-JIS-N6-EP	\$2,490	LPSS-80-JIS-N6-EP	Contact Factory for Pricing	LPWA-80-JIS-N6-M	\$2,229	LPSS-80-JIS-N6-M	Contact Factory for Pricing
	LPWA-80-JIS-N8-EP	\$2,490	LPSS-80-JIS-N8-EP	Contact Factory for Pricing	LPWA-80-JIS-N8-M	\$2,229	LPSS-80-JIS-N8-M	Contact Factory for Pricing
100 mm	LPWA-100-JIS-N1-EP	\$2,452	LPSS-100-JIS-N1-EP	Contact Factory for Pricing	LPWA-100-JIS-N1-M	\$2,189	LPSS-100-JIS-N1-M	Contact Factory for Pricing
	LPWA-100-JIS-N5-EP	\$2,712	LPSS-100-JIS-N5-EP	Contact Factory for Pricing	LPWA-100-JIS-N5-M	\$2,446	LPSS-100-JIS-N5-M	Contact Factory for Pricing
	LPWA-100-JIS-N6-EP	\$2,590	LPSS-100-JIS-N6-EP	Contact Factory for Pricing	LPWA-100-JIS-N6-M	\$2,328	LPSS-100-JIS-N6-M	Contact Factory for Pricing
	LPWA-100-JIS-N8-EP	\$2,590	LPSS-100-JIS-N8-EP	Contact Factory for Pricing	LPWA-100-JIS-N8-M	\$2,328	LPSS-100-JIS-N8-M	Contact Factory for Pricing
150 mm	LPWA-150-JIS-N1-EP	\$2,667	LPSS-150-JIS-N1-EP	Contact Factory for Pricing	LPWA-150-JIS-N1-M	\$2,387	LPSS-150-JIS-N1-M	Contact Factory for Pricing
	LPWA-150-JIS-N5-EP	\$3,054	LPSS-150-JIS-N5-EP	Contact Factory for Pricing	LPWA-150-JIS-N5-M	\$2,387	LPSS-150-JIS-N5-M	Contact Factory for Pricing
	LPWA-150-JIS-N6-EP	\$2,865	LPSS-150-JIS-N6-EP	Contact Factory for Pricing	LPWA-150-JIS-N6-M	\$2,584	LPSS-150-JIS-N6-M	Contact Factory for Pricing
	LPWA-150-JIS-N8-EP	\$2,865	LPSS-150-JIS-N8-EP	Contact Factory for Pricing	LPWA-150-JIS-N8-M	\$2,584	LPSS-150-JIS-N8-M	Contact Factory for Pricing
200 mm	LPWA-200-JIS-N1-EP	\$5,177	LPSS-200-JIS-N1-EP	Contact Factory for Pricing	LPWA-200-JIS-N1-M	\$4,809	LPSS-200-JIS-N1-M	Contact Factory for Pricing
	LPWA-200-JIS-N5-EP	\$5,622	LPSS-200-JIS-N5-EP	Contact Factory for Pricing	LPWA-200-JIS-N5-M	\$5,253	LPSS-200-JIS-N5-M	Contact Factory for Pricing
	LPWA-200-JIS-N6-EP	\$5,335	LPSS-200-JIS-N6-EP	Contact Factory for Pricing	LPWA-200-JIS-N6-M	\$4,964	LPSS-200-JIS-N6-M	Contact Factory for Pricing
	LPWA-200-JIS-N8-EP	\$5,335	LPSS-200-JIS-N8-EP	Contact Factory for Pricing	LPWA-200-JIS-N8-M	\$4,964	LPSS-200-JIS-N8-M	Contact Factory for Pricing
250 mm	LPWA-250-JIS-N1-EP	\$6,609	LPSS-250-JIS-N1-EP	Contact Factory for Pricing	LPWA-250-JIS-N1-M	\$6,156	LPSS-250-JIS-N1-M	Contact Factory for Pricing
	LPWA-250-JIS-N5-EP	\$6,735	LPSS-250-JIS-N5-EP	Contact Factory for Pricing	LPWA-250-JIS-N5-M	\$6,684	LPSS-250-JIS-N5-M	Contact Factory for Pricing
	LPWA-250-JIS-N6-EP	\$6,873	LPSS-250-JIS-N6-EP	Contact Factory for Pricing	LPWA-250-JIS-N6-M	\$6,421	LPSS-250-JIS-N6-M	Contact Factory for Pricing
	LPWA-250-JIS-N8-EP	\$6,873	LPSS-250-JIS-N8-EP	Contact Factory for Pricing	LPWA-250-JIS-N8-M	\$6,421	LPSS-250-JIS-N8-M	Contact Factory for Pricing
300 mm	LPWA-300-JIS-N1-EP	\$8,211	LPSS-300-JIS-N1-EP	Contact Factory for Pricing	LPWA-300-JIS-N1-M	\$7,760	LPSS-300-JIS-N1-M	Contact Factory for Pricing
	LPWA-300-JIS-N5-EP	\$8,716	LPSS-300-JIS-N5-EP	Contact Factory for Pricing	LPWA-300-JIS-N5-M	\$8,259	LPSS-300-JIS-N5-M	Contact Factory for Pricing
	LPWA-300-JIS-N6-EP	\$8,444	LPSS-300-JIS-N6-EP	Contact Factory for Pricing	LPWA-300-JIS-N6-M	\$7,987	LPSS-300-JIS-N6-M	Contact Factory for Pricing
	LPWA-300-JIS-N8-EP	\$8,444	LPSS-300-JIS-N8-EP	Contact Factory for Pricing	LPWA-300-JIS-N8-M	\$7,987	LPSS-300-JIS-N8-M	Contact Factory for Pricing

Stainless or Welded Aluminum, JIS Flanges, Bonnet Style

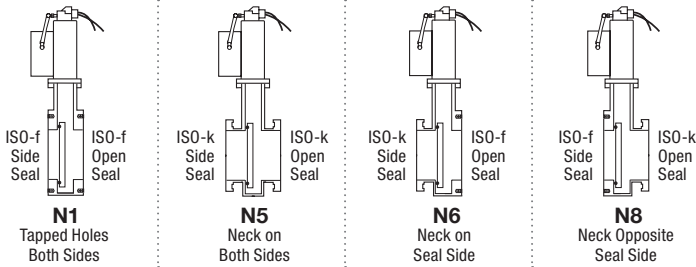


Note: All dimensions in millimeters. Roughing ports and position indicator limit switches optional. Centering rings not included.
 For valves with ports up to 200 mm the actuator is on the same side as the gate seal, valves with ports 250 mm and larger have the actuator opposite the gate seal side.

JIS Port Size	Model No.	Flange		Bolt Circle	(number of bolts) size - pitch	A Flange to Flange		BMAN Manual Overall Weight	BEP EP Overall Weight	CEP Port CL to top of Valve	DMAN Manual Overall Width	DEP EP Overall Width	EMAN Manual	EEP EP	F Dis-assembly Clearance	Weight kgs. Aluminum	
		Outside Diam.	O-Ring inside Diam.			Stain-less	Alumi-num									Net	Ship
		65mm one piece style	OP 65 JIS N1, both sides tapped holes			145	85									120	(4) M 8-1.25
	OP 65 JIS N5, both sides tapped holes	145	85	120	Thru holes 12 mm	98	140	246	278	205	100	175	45	60	67	8	13
	OP 65 JIS N6 & N8, 1 tapped, 1 through	145	85	120	Neck side slotted	83	105	246	278	205	100	175	45	60	67	8	13
80 mm	LPWA JIS 80 N1, both sides tapped holes	160	101	135	(4) M 10 - 1.5	60	95	360	392	312	254	228	52	60	67	10	15
	LPWA JIS 80 N5, both sides tapped holes	160	101	135	Thru holes 12mm	105	165	360	392	312	254	228	52	60	67	10	15
	LPWA JIS 80 N6 & N8, 1 tapped, 1 through	160	101	135	Neck side slotted	80	130	360	392	312	254	228	52	60	67	10	15
100 mm	LPWA JIS 100 N1, both sides tapped holes	185	120	160	(8) M 10-1.5	60	95	373	405	312	254	228	52	60	100	10	15
	LPWA JIS 100 N5, both sides tapped holes	185	120	160	Thru holes slotted	105	165	373	405	312	254	228	52	60	100	10	15
	LPWA JIS 100 N6 & N8, 1 tapped, 1 through	185	120	160	Neck side slotted	80	130	373	405	312	254	228	52	60	100	10	15
150 mm	LPWA JIS 150 N1, both sides tapped holes	235	177	210	(8) M 10-1.5	60	105	518	550	432	406	257	57	89	114	14	21
	LPWA JIS 150 N5, both sides tapped holes	235	177	210	Thru holes slotted	105	181	518	550	432	406	257	57	89	114	14	21
	LPWA JIS 150 N6 & N8, 1 tapped, 1 through	235	177	210	Neck side slotted	80	143	518	550	432	406	257	57	89	114	14	21
200 mm	LPWA JIS 200 N1, both sides tapped holes	300	228	270	(8) M 12-1.75	82	111	636	668	518	406	318	67	86	140	25	30
	LPWA JIS 200 N5, both sides tapped holes	300	228	270	Thru holes slotted	120	200	636	668	518	406	318	67	86	140	25	30
	LPWA JIS 200 N6 & N8, 1 tapped, 1 through	300	228	270	Neck side slotted	104	156	636	668	518	406	318	67	86	140	25	30
250 mm	LPWA JIS 250 N1, both sides tapped holes	350	279	320	(12) M 12-1.75	82	117	745	777	602	533	458	50	79	121	50	59
	LPWA JIS 250 N5, both sides tapped holes	350	279	320	Thru holes slotted	120	206	745	777	602	533	458	50	79	121	50	59
	LPWA JIS 250 N6 & N8, 1 tapped, 1 through	350	279	320	Neck side slotted	104	162	745	777	602	533	458	50	79	121	50	59
300 mm	LPWA JIS 300 N1, both sides tapped holes	400	330	370	(12) M 12-1.75	82	117	770	802	602	533	458	50	79	121	58	68
	LPWA JIS 300 N5, both sides tapped holes	400	330	370	Thru holes slotted	120	206	770	802	602	533	458	50	79	121	58	68
	LPWA JIS 300 N6 & N8, 1 tapped, 1 through	400	330	370	Neck side slotted	104	162	770	802	602	533	458	50	79	121	58	68



- Less Outgassing Than Stainless Steel (See Page 40)
- 250,000 Cycle Rotary Shaft Seal; Million Cycle Available
- Large Port, ISO Flanges; 6 Roughing Port Options
- All Valves (RoHS) 2015/863/EU Compliant
- Helium Leak Less Than 5×10^{-10} scc/sec
- Operate Manually If Air or Power Fail
- Vacuum & Pressure; Optional Seal to 3 ATM.
- Optional Operation to 10 Bar, 147 PSIG



For valves with ports up to 200 mm the actuator is on the same side as the gate seal, valves with ports 250 mm and larger have the actuator opposite the gate seal side.

Stainless Steel Gates in Aluminum Valves: To specify a stainless steel gate in an aluminum valve add a suffix to the model number "SS Gate". Refer to the "Optional Features and Accessories" section for pricing information.

ORDERING INFORMATION

Model Number: Refer to page 2 for instructions on how to specify the features you need.

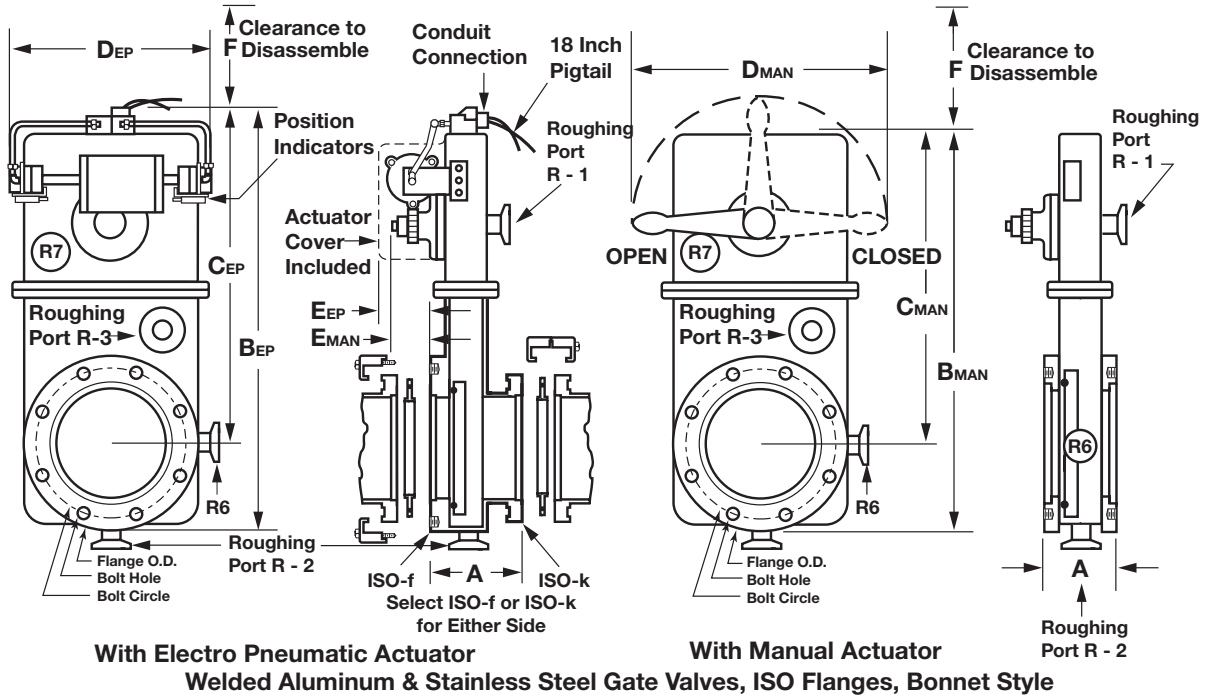
Electric Motor Actuators: Any Vacuum Research valve can be supplied with a high torque electric motor actuator. Refer to "Electric Motor Actuator" Page in the Accessories and Parts section.

Special Features: Refer to page 40-43 for specifications for roughing and gauge ports, position indicators & other special features.

Viton® or Kalrez® or Silicone O-Rings: Our standard Valves use a Viton® O-Ring for the gate seal and Buna-N O-Rings for all other locations. You may specify Viton® (or other materials throughout the valve with a "V", "S", or "K" in the model number. For Viton® add the following to the price. (For Silicone or Kalrez® contact the factory for prices.)

63 or 80 mm valves	\$85	200 mm valves	\$252
100 mm valves	\$129	250 mm valves	\$329
160 mm valves	\$160	320 mm valves	\$424

Nominal Size	Electro-Pneumatic Operator "EP" Suffix				Manual Operator "M" Suffix			
	Aluminum Model & Neck Style	Price	Stainless Steel Model & Neck Style	Price	Aluminum Model & Neck Style	Price	Stainless Steel Model & Neck Style	Price
63 mm One piece style	OP-63-ISO-N1-EP	\$2,255	OPSS-63-ISO-N1-EP	\$5,997	OP-63-ISO-N1-M	\$1,933	OPSS-63-ISO-N1-M	\$5,637
	OP-63-ISO-N5-EP	\$2,529	OPSS-63-ISO-N5-EP	\$6,235	OP-63-ISO-N5-M	\$2,201	OPSS-63-ISO-N5-M	\$5,919
	OP-63-ISO-N6-EP	\$2,364	OPSS-63-ISO-N6-EP	\$6,134	OP-63-ISO-N6-M	\$2,006	OPSS-63-ISO-N6-M	\$5,779
	OP-63-ISO-N8-EP	\$2,364	OPSS-63-ISO-N8-EP	\$6,139	OP-63-ISO-N8-M	\$2,006	OPSS-63-ISO-N8-M	\$5,779
80 mm	LPWA-80-ISO-N1-EP	\$2,539	LPSS-80-ISO-N1-EP	\$6,900	LPWA-80-ISO-N1-M	\$2,211	LPSS-80-ISO-N1-M	\$6,963
	LPWA-80-ISO-N5-EP	\$2,347	LPSS-80-ISO-N5-EP	\$7,252	LPWA-80-ISO-N5-M	\$2,449	LPSS-80-ISO-N5-M	\$6,893
	LPWA-80-ISO-N6-EP	\$2,468	LPSS-80-ISO-N6-EP	\$7,075	LPWA-80-ISO-N6-M	\$2,491	LPSS-80-ISO-N6-M	\$6,815
	LPWA-80-ISO-N8-EP	\$2,468	LPSS-80-ISO-N8-EP	\$7,075	LPWA-80-ISO-N8-M	\$2,491	LPSS-80-ISO-N8-M	\$6,815
100 mm	LPWA-100-ISO-N1-EP	\$2,777	LPSS-100-ISO-N1-EP	\$7,166	LPWA-100-ISO-N1-M	\$2,415	LPSS-100-ISO-N1-M	\$6,798
	LPWA-100-ISO-N5-EP	\$3,061	LPSS-100-ISO-N5-EP	\$7,413	LPWA-100-ISO-N5-M	\$2,632	LPSS-100-ISO-N5-M	\$7,043
	LPWA-100-ISO-N6-EP	\$2,912	LPSS-100-ISO-N6-EP	\$7,362	LPWA-100-ISO-N6-M	\$2,491	LPSS-100-ISO-N6-M	\$6,993
	LPWA-100-ISO-N8-EP	\$2,912	LPSS-100-ISO-N8-EP	\$7,362	LPWA-100-ISO-N8-M	\$2,491	LPSS-100-ISO-N8-M	\$6,993
160 mm	LPWA-160-ISO-N1-EP	\$3,344	LPSS-160-ISO-N1-EP	\$8,678	LPWA-160-ISO-N1-M	\$2,861	LPSS-160-ISO-N1-M	\$8,218
	LPWA-160-ISO-N5-EP	\$3,834	LPSS-160-ISO-N5-EP	\$8,130	LPWA-160-ISO-N5-M	\$3,337	LPSS-160-ISO-N5-M	\$8,669
	LPWA-160-ISO-N6-EP	\$3,546	LPSS-160-ISO-N6-EP	\$8,904	LPWA-160-ISO-N6-M	\$3,059	LPSS-160-ISO-N6-M	\$8,444
	LPWA-160-ISO-N8-EP	\$3,546	LPSS-160-ISO-N8-EP	\$8,904	LPWA-160-ISO-N8-M	\$3,059	LPSS-160-ISO-N8-M	\$8,444
200 mm	LPWA-200-ISO-N1-EP	\$5,226	LPSS-200-ISO-N1-EP	\$10,062	LPWA-200-ISO-N1-M	\$4,677	LPSS-200-ISO-N1-M	\$9,337
	LPWA-200-ISO-N5-EP	\$5,636	LPSS-200-ISO-N5-EP	\$10,524	LPWA-200-ISO-N5-M	\$5,075	LPSS-200-ISO-N5-M	\$10,083
	LPWA-200-ISO-N6-EP	\$5,429	LPSS-200-ISO-N6-EP	\$10,293	LPWA-200-ISO-N6-M	\$4,875	LPSS-200-ISO-N6-M	\$9,852
	LPWA-200-ISO-N8-EP	\$5,429	LPSS-200-ISO-N8-EP	\$10,293	LPWA-200-ISO-N8-M	\$4,875	LPSS-200-ISO-N8-M	\$9,852
250 mm	LPWA-250-ISO-N1-EP	\$6,774	LPSS-250-ISO-N1-EP	\$16,715	LPWA-250-ISO-N1-M	\$6,125	LPSS-250-ISO-N1-M	\$15,772
	LPWA-250-ISO-N5-EP	\$7,349	LPSS-250-ISO-N5-EP	\$17,237	LPWA-250-ISO-N5-M	\$6,649	LPSS-250-ISO-N5-M	\$16,294
	LPWA-250-ISO-N6-EP	\$7,078	LPSS-250-ISO-N6-EP	\$16,976	LPWA-250-ISO-N6-M	\$6,387	LPSS-250-ISO-N6-M	\$16,525
	LPWA-250-ISO-N8-EP	\$7,078	LPSS-250-ISO-N8-EP	\$16,976	LPWA-250-ISO-N8-M	\$6,387	LPSS-250-ISO-N8-M	\$16,552
320 mm	LPWA-320-ISO-N1-EP	\$8,457	LPSS-320-ISO-N1-EP	\$19,706	LPWA-320-ISO-N1-M	\$7,760	LPSS-320-ISO-N1-M	\$19,222
	LPWA-320-ISO-N5-EP	\$8,976	LPSS-320-ISO-N5-EP	\$20,259	LPWA-320-ISO-N5-M	\$8,259	LPSS-320-ISO-N5-M	\$19,775
	LPWA-320-ISO-N6-EP	\$8,695	LPSS-320-ISO-N6-EP	\$20,259	LPWA-320-ISO-N6-M	\$7,990	LPSS-320-ISO-N6-M	\$19,599
	LPWA-320-ISO-N8-EP	\$8,695	LPSS-320-ISO-N8-EP	\$20,259	LPWA-320-ISO-N8-M	\$7,990	LPSS-320-ISO-N8-M	\$19,599
400 mm	LPWA-400-ISO-N1-EP	\$16,992	LPSS-400-ISO-N1-EP	Contact Factory	LPWA-400-ISO-N1-M	\$14,921	LPSS-400-ISO-N1-M	Contact Factory
	Contact factory for prices of 400 mm aluminum valves with N5, N6, and N8 neck styles, and for all 400 mm stainless steel valves.							



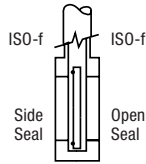
All dimensions in millimeters. Roughing ports and position indicator limit switches optional. Centering rings not included. For valves with ports up to 200 mm the actuator is on the same side as the gate seal, valves with ports 250 mm and larger have the actuator opposite the gate seal side.

ISO Port Size	Model No. ISO Flange	Port Dia.	Flange O.D.	Bolt Circle	(number of bolts) size - pitch	A Flange to Flange		BMAN Manual Overall Weight	BEP EP Overall Weight	CEP Port CL to top of Valve	DMAN Manual Overall Width	DEP EP Overall Width	EMAN Manual	EEP EP	F Dis-assembly Clearance	Weight kgs. Aluminum	
						Stain-less	Alumi-num									Net	Ship
63mm one piece style	OP 63 N1, both sides ISO-f	70	130	110	(4) M 8-1.25	75	70	238	270	205	100	175	45	60	67	8	13
	OP 63 N5, both sides ISO-k	70	95	110	No bolts, ISO-k	120	105	238	270	205	100	175	45	60	67	8	13
	OP 63 N6 & N8, ISO-f & ISO-k	70	130/95	110	(4) M 8-1.25	95	90	238	270	205	100	175	45	60	67	8	13
80 mm	LPWA 80 N1, both sides ISO-f	83	145	125	(8) M 8-1.25	75	95	353	385	312	254	228	52	60	67	10	15
	LPWA 80 N5, both sides ISO-k	83	110	125	No bolts, ISO-k	120	127	353	385	312	254	228	52	60	67	10	15
	LPWA 80 N6 & N8, ISO-f & ISO-k	83	145/110	125	(8) M 8-1.25	95	111	353	385	312	254	228	52	60	67	10	15
100 mm	LPWA 100 N1, both sides ISO-f	102	165	145	(8) M 10-1.25	75	95	362	394	312	254	228	52	60	100	10	15
	LPWA 100 N5, both sides ISO-k	102	130	145	No bolts, ISO-k	120	127	362	394	312	254	228	52	60	100	10	15
	LPWA 100 N6 & N8, ISO-f & ISO-k	102	165/130	145	(8) M 8-1.25	95	111	362	394	312	254	228	52	60	100	10	15
160 mm	LPWA 160 N1, both sides ISO-f	153	225	200	(8) M 10-1.5	91	105	513	544	432	406	257	57	89	114	14	21
	LPWA 160 N5, both sides ISO-k	153	180	200	No bolts, ISO-k	135	143	513	544	432	406	257	57	89	114	14	21
	LPWA 160 N6 & N8, ISO-f & ISO-k	153	225/180	200	(8) M 10-1.5	111	127	513	544	432	406	257	57	89	114	14	21
200 mm	LPWA 200 N1, both sides ISO-f	213	285	260	(12) M 10-1.5	98	111	629	660	518	406	318	67	86	140	25	30
	LPWA 200 N5, both sides ISO-k	213	240	260	No bolts, ISO-k	143	155	629	660	518	406	318	67	86	140	25	30
	LPWA 200 N6 & N8, ISO-f & ISO-k	213	285/240	260	(12) M 10-1.5	124	127	629	660	518	406	318	67	86	140	25	30
250 mm	LPWA 250 N1, both sides ISO-f	261	335	310	(12) M 10-1.5	105	117	738	770	602	533	458	50	79	121	50	59
	LPWA 250 N5, both sides ISO-k	261	290	310	No bolts, ISO-k	155	219	738	770	602	533	458	50	79	121	50	59
	LPWA 250 N6 & N8, ISO-f & ISO-k	261	335/290	310	(12) M 10-1.5	127	168	738	770	602	533	458	50	79	121	50	59
320 mm	LPWA 320 N1, both sides ISO-f	318	425	395	(12) M 12-1.75	105	117	783	815	602	533	458	50	79	121	58	68
	LPWA 320 N5, both sides ISO-k	318	370	395	No bolts, ISO-k	155	219	783	815	602	533	458	50	79	121	58	68
	LPWA 320 N6 & N8, ISO-f & ISO-k	318	425/370	395	(12) M 12-1.75	127	168	783	815	602	533	458	50	79	121	58	68
400 mm	LPWA 400 N1, ISO-f	400	510	480	(16) M 12-1.75	146	165	1060	1092	792	559	584	140	168	178	91	159
Contact factory for dimensions of 400 mm valves with N5, N6, and N8 neck styles																	

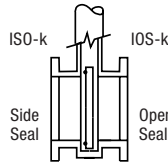


Dependex flange on one or both sides. ISO or Conflat® flanges available on either side.

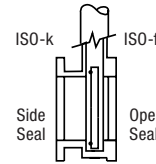
- Less Outgassing Than Stainless, See Page 40
- Simple End Operated Air Cylinder
- Over 100,000 Cycles Without Maintenance
- Helium Tested to 5×10^{-10} scc/s
- All Valves (RoHS) 2015/863/EU Compliant
- Flanges to Your Beam Line
- Closing Speeds as Fast as 75 mSec. Available
- Optional Operation to 10 Bar, 147 PSIG; \$260.
- Optional Remote Position Indicators
- NW & Compression Gauge & Roughing Ports
- Automatic Closure on Power Failure



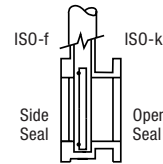
N1
Tapped Holes
Both Sides



N5
Neck on
Both Sides

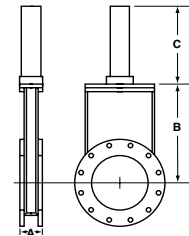


N6
Neck on
Seal Side



N8
Neck Opposite
Seal Side

ISO Port Size	Model No. Dimensions in Inches	Port Diam.	Flange O.D.	Bolt Circle	(no of bolts) size - pitch	A Flange to Flange	B mm	C mm	List Price
NW-50	END ISO NW-40	50	Not applicable. STD. NW-40			95	159	187	\$1,229
NW-50	END ISO NW-50	50	Not applicable. STD. NW-50			95	159	187	\$1,284
63 mm	END ISO 63, N1, both sides ISO-f	70	130	110	(4) M 8-1.25	80	159	187	\$1,341
	END ISO 63, N5, both sides ISO-k	70	95	110	No bolts, ISO-k	105	159	187	\$1,621
	END ISO 63, N6 & N8, ISO-f & ISO-k	70	130/95	110	(4) M 8-1.25	90	159	187	\$1,472
100 mm	END ISO 100, N1, both sides ISO-f	102	165	145	(8) M 8-1.25	95	213	239	\$2,142
	END ISO 100, N5, both sides ISO-k	102	130	145	No bolts, ISO-k	127	213	239	\$2,366
	END ISO 100, N6 & N8, ISO-f & ISO-k	102	165/130	145	(8) M 8-1.25	111	213	239	\$2,279
160 mm	END ISO 160, N1, both sides ISO-f	153	225	200	(8) M 10-1.25	105	289	296	\$2,322
	END ISO 160, N5, both sides ISO-k	153	1180	200	No bolts, ISO-k	143	289	296	\$2,609
	END ISO 160, N6 & N8, ISO-f & ISO-k	153	225/18	200	(8) M 10-1.5	127	289	296	\$2,501
200 mm	END ISO 200, N1, both sides ISO-f	213	285	260	(12) M 10-1.5	111	364	348	\$3,535
	END ISO 200, N5, both sides ISO-k	213	240	260	No bolts, ISO-k	155	364	348	\$4,074
	END ISO 200, N6 & N8, ISO-f & ISO-k	213	285/240	260	(12) M 10-1.5	127	364	348	\$3,892
250 mm	END ISO 250, N1, both sides ISO-f	261	335	310	(12) M 10-1.5	117	484	406	\$4,801
	END ISO 250, N5, both sides ISO-k	261	290	310	No bolts, ISO-k	219	484	406	\$5,206
	END ISO 250, N6 & N8, ISO-f & ISO-k	261	335/290	310	(12) M 10-1.5	168	484	406	\$4,974
320 mm	END ISO 320, N1, both sides ISO-f	318	425	395	(12) M 10-1.75	117	533	457	\$6,617
	END ISO 320, N5, both sides ISO-k	318	370	395	No bolts, ISO-k	219	533	457	\$6,812
	END ISO 320, N6 & N8, ISO-f & ISO-k	318	425/370	395	(12) M 10-1.75	168	533	457	\$6,711
400 mm	END ISO 400, N1, ISO-f both sides	400	510	480	(16) M 10-1.75	165	702	560	\$12,674
500 mm	END ISO 500, N1, ISO-f both sides	500	610	580	(16) M 10-1.75	203	908	730	\$19,887
600 mm	END ISO 600, N1, ISO-f both sides	630*	780	720	(20) M 10-1.75	216	978	851	\$28,615



ORDERING INFORMATION

Model Number: Refer to page 2 for instructions on how to specify the features you need.

Position Indicators: Two reed switches activated by a magnet inside the pneumatic actuator provide closure for open and closed position. SPST contacts rated 0.5A @ 110 or 220 VAC non-inductive. Add LSE to

Model No. \$182pair

Gauge and Roughing Ports: See page 42 for sizes and prices.

200 PSI Shaft Seal \$307

Special Features: Refer to page 41 and 42 for information on special features and accessories.

Viton® or Kalrez® or Silicone O-Rings: Our standard Valves use a Viton® O-Ring for the gate seal and Buna-N O-Rings for all other locations. You may specify Viton® (or other materials) throughout the valve with a "V", "S", or "K" in the model number. For Viton® add the following to the price. (Contact factory for Silicone or Kalrez® prices.)

- 63 mm \$68
- 100 mm \$102
- 160 mm \$127
- 200 mm \$200
- 250 mm \$261
- 320 mm \$335

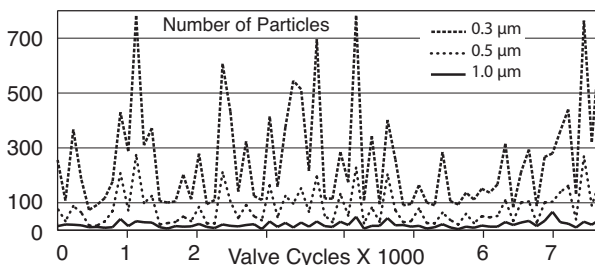


Aluminum Conflat® Flanges: The Aluminum Conflat® Flanges on the VRC valves provide an all metal reusable seal using low cost solid aluminum gaskets (available from VRC, see catalog page 16).

Mate Directly to Stainless Steel Conflat® Flanges: The bolt circle, number of holes, threads, flange diameter, etc. are the same as stainless steel CF flanges, and mate directly to stainless steel flanges using aluminum gaskets.

Less Outgassing Than Stainless Steel: Dozens of papers show the 6000 Series aluminum used in VRC valves outgasses up to 2 orders of magnitude less than 300 Series stainless steel and of course no hydrogen. A bibliography of 70 peer reviewed papers about outgassing compiled by Dr. M. Wong at Fermi Labs can be found at http://home.fnal.gov/~mlwong/outgas_rev.htm.

Low Particle Generation:



Aluminum Conflat® Valves, Electro-Pneumatic Operator

Conflat® Outside Diameter	Viton® Gate & Bonnet Seal	Price	Viton® Gate Seal, Metal Bonnet Seal Insert "Metal" in Model No.	Price
2.75 in. Outside Diameter Conflat® Flange (1.6 in. Port)	END-2.75-CF-N1-EP	\$1,496	END-2.75-CF-N1-METAL-EP	\$1,702
	END-2.75-CF-N5-EP	\$1,667	END-2.75-CF-N5-METAL-EP	\$1,871
	END-2.75-CF-N6-EP	\$1,586	END-2.75-CF-N6-METAL-EP	\$1,790
	END-2.75-CF-N8-EP	\$1,586	END-2.75-CF-N8-METAL-EP	\$1,790
3.375 in. Outside Diameter Conflat® Flange (2 in. Port)	END-3.375-CF-N1-EP	\$1,925	END-3.375-CF-N1-METAL-EP	\$2,131
	END-3.375-CF-N5-EP	\$2,198	END-3.375-CF-N5-METAL-EP	\$2,401
	END-3.375-CF-N6-EP	\$2,178	END-3.375-CF-N6-METAL-EP	\$2,382
	END-3.375-CF-N8-EP	\$2,178	END-3.375-CF-N8-METAL-EP	\$2,382
4.50 in. Outside Diameter Conflat® Flange (2.5 in. Port)	END-4.50-CF-N1-EP	\$2,245	END-4.50-CF-N1-METAL-EP	\$2,448
	END-4.50-CF-N5-EP	\$2,611	END-4.50-CF-N5-METAL-EP	\$2,777
	END-4.50-CF-N6-EP	\$2,415	END-4.50-CF-N6-METAL-EP	\$2,619
	END-4.50-CF-N8-EP	\$2,415	END-4.50-CF-N8-METAL-EP	\$2,619
6.00 in. Outside Diameter Conflat® Flange (4 in. Port)	END-6-CF-N1-EP	\$2,858	END-6-CF-N1-METAL-EP	\$3,196
	END-6-CF-N5-EP	\$3,237	END-6-CF-N5-METAL-EP	\$3,578
	END-6-CF-N6-EP	\$3,083	END-6-CF-N6-METAL-EP	\$3,421
	END-6-CF-N8-EP	\$3,083	END-6-CF-N8-METAL-EP	\$3,421
8.00 in. Outside Diameter Conflat® Flange (6 in. Port)	END-8-CF-N1-EP	\$3,592	END-8-CF-N1-METAL-EP	\$4,035
	END-8-CF-N5-EP	\$4,000	END-8-CF-N5-METAL-EP	\$4,442
	END-8-CF-N6-EP	\$3,831	END-8-CF-N6-METAL-EP	\$4,272
	END-8-CF-N8-EP	\$3,831	END-8-CF-N8-METAL-EP	\$4,272
10.00 in. Outside Diameter Conflat® Flange (8 in. Port)	END-10-CF-N1-EP	\$5,006	END-10-CF-N1-METAL-EP	\$5,584
	END-10-CF-N5-EP	\$5,482	END-10-CF-N5-METAL-EP	\$6,059
	END-10-CF-N6-EP	\$5,312	END-10-CF-N6-METAL-EP	\$5,890
	END-10-CF-N8-EP	\$5,312	END-10-CF-N8-METAL-EP	\$5,890
12.00 in. Outside Diameter Conflat® Flange (10 in. Port)	END-12-CF-N1-EP	\$6,054	END-12-CF-N1-METAL-EP	\$8,570
	END-12-CF-N5-EP	\$6,652	END-12-CF-N5-METAL-EP	\$9,113
	END-12-CF-N6-EP	\$6,530	END-12-CF-N6-METAL-EP	\$8,910
	END-12-CF-N8-EP	\$6,530	END-12-CF-N8-METAL-EP	\$8,910
Optional Operation to 10 Bar, 147 PSIG; 200 PSI Shaft Seal.....add \$296				
Aluminum Conflat Gaskets® Packs of 10, except larger sizes.....See next page				

High Speed Closing speeds as fast as 75 mSeconds available.

Fast Pumpdown VRC valve bodies are not cast. The internal surfaces are smooth extruded or machined 6061 aluminum and pump down at speeds comparable to or faster than stainless steel.

Satisfaction Guaranteed Vacuum Research has been building high vacuum valves for more than 50 years and has earned a reputation for world class product quality and customer service. If you are not satisfied with our valve just send it back.

Metal Bonnet Seals Our standard bonnet & hub seal is Viton® but metal seals are available. Kalrez® is optional.

Rotatable Flanges Rotatable flanges are available on one or both sides of all valve sizes. Our rotatable flanges have through holes. Our fixed flanges have tapped holes.

Maximum Temperature All VRC valves use Viton® for the gate seal which can operate up to 190°C (375°F). Kalrez® available.

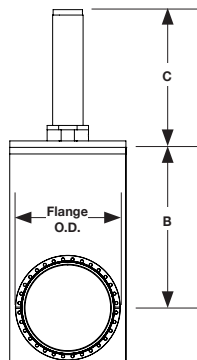
Fail Safe All Vacuum Research air operated valves can be installed for fast close on power failure.

Long Life More than 250,000 cycles for standard valves.

No Leaks All VRC valves have total leak rates of less than

5 X 10⁻¹⁰ std. cc/sec. By total leak we mean that each completed valve is tested in a He filled bag.

RoHS Compliant and CE Mark All Valves (RoHS) 002/95/EC Compliant, and carry the CE Mark.



Conflat® Flange O.D.	Flange to Flange	B Port C/L to Top	C Actuator Height	B Body Width	B (Number) Bolt Size
2.75 in. (1.6 in. Port)	3.1	6.3	7.4	4.63	(6) 1/4-28
3.375 in. (2 in. Port)	3.4	6.3	7.4	4.63	(8) 5/16-24
4.50 in. (2.5 in. Port)	3.5	8.38	9.4	6.48	(8) 5/16-24
6.00 in. (4 in. Port)	4.3	8.38	9.4	6.48	(16) 5/16-24
8.00 in. (6 in. Port)	4.5	11.38	11.66	9.0	(20) 5/16-24
10.00 in. (8 in. Port)	4.7	14.3	12.72	11.0	(24) 5/16-24
12.00 in. (10 in. Port)	5.0	19.0	16.0	13.63	(32) 5/16-24



Stainless steel & aluminum valves with Conflat® flanges. Aluminum has less outgassing than stainless steel. Up to 2 orders of magnitude less, see references on page 39.

Less Outgassing Than

Stainless Steel: Dozens of papers show the 6000 Series aluminum used in VRC valves outgasses up to 2 orders of magnitude less than 300 Series stainless steel and of course no hydrogen. A bibliography of 70 peer reviewed papers about outgassing compiled by Dr. M. Wong at Fermi Labs can be found at http://home.fnal.gov/~mlwong/outgas_rev.htm. Refer to page 40 for more information.

ORDERING INFORMATION

Model Number: Refer to page 2 for instructions to specify the features you need.

Electric Motor Actuators: Any Vacuum Research valve can be supplied with a high torque electric motor actuator. Refer to the "Electric Motor Actuator" page in the Accessories and Parts section of this catalog for pricing.

Special Features: Refer to pgs 40-43 for specifications of roughing & gauge ports, position indicators & other special features.

Viton® or Kalrez® or Silicone O-Rings: Our standard Valves use a Viton® O-Ring for the gate seal and Buna-N O-Rings for all other locations. You may specify Viton® (or other materials) throughout the valve with a "V", "S", or "K" in the model number. For Viton® add the following to the price. (For Silicone or Kalrez® contact the factory for prices.)

63 mm.....	\$68
100 mm	\$102
160 mm	\$128
200 mm	\$200
250 mm	\$263
320 mm	\$339

Metal Bonnet Seal: Metal Bonnet Seal: To specify a metal (rather than elastomer) bonnet seal add "MBS" to the model number & add the cost below:

	Aluminum Valve	Stainless Steel
2.75 in. valves.....	\$271	\$331
3.38 in. valves.....	\$271	\$331
4.50 in. valves.....	\$371	\$331
6 in. valves.....	\$315	\$377
8 in. valves.....	\$331	\$603
10 in. valves.....	\$526	\$753
12 in. valves.....	\$526	\$753

CF® Flanges with Metric Threads:

No extra charge for Conflat® flanges with metric threads. Bolt circle, gasket size, and other dimensions remain unchanged. Specify "CF-MET" in the model number.

Valve Port Diam.	Flange O.D.	Bolts
38 mm	70 mm	6, M-6
63 mm	114 mm	8, M-8
100 mm	152 mm	16, M-8
150 mm	203 mm	20, M-8
200 mm	254 mm	24, M-8
250 mm	304 mm	32, M-8

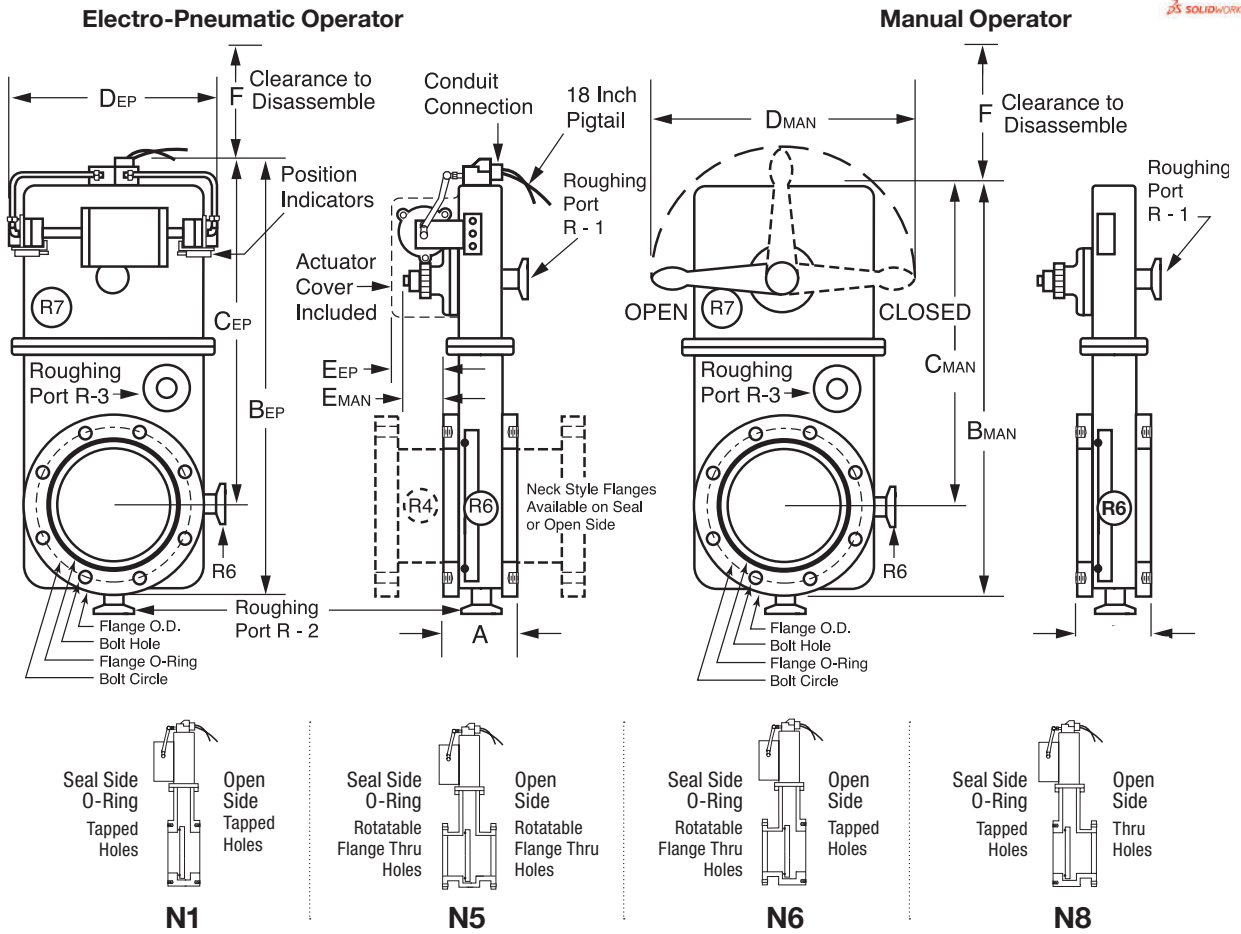
Aluminum Conflat Gaskets®:

Prices shown below are for packs of 10, or each, depending on Gasket size.

Flange O.D.	Gasket O.D.	Part No.	Price
1.33 in.	0.838 in.	X701G01.33A	\$50/10
2.75 in.	1.895 in.	X701G02.75A	\$77/10
3.375 in.	2.425 in.	X701G03.375A	\$105/10
4.50 in.	3.25 in.	X701G04.50A	\$128/10
6.00 in.	4.75 in.	X701G06.00A	\$178/10
8.00 in.	6.73 in.	X701G08.00A	\$254/10
10.00 in.	8.73 in.	X701G010.00A	\$284 /10
12.00 in.	10.73 in.	X701G012.00A	\$42/ea
13.25 in.	11.55 in.	X701G013.25A	\$50/ea
12.31 in.	12.31 in.	X701G014.00A	Contact Factory

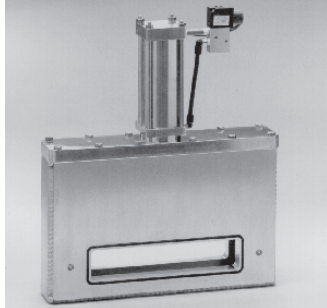
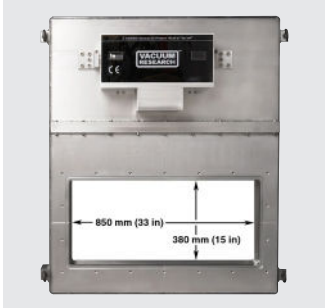
Conflat® Outside Diameter	Conflat® Valves with Electro-Pneumatic Operator				Conflat® Valves with Manual Operator			
	Aluminum Model & Neck Style	Price	Stainless Steel Model & Neck Style	Price	Aluminum Model & Neck Style	Price	Stainless Steel Model & Neck Style	Price
2.75 in. Outside Diameter Conflat® Flange (1.63 in. Port)	OPWA-2.75-CF-N1-EP	\$1,440	OPSS-2.75-CF-N1-EP	\$5,215	OPWA-2.75-CF-N1-M	\$1,282	OPSS-2.75-CF-N1-M	\$4,902
	OPWA-2.75-CF-N5-EP	\$1,603	OPSS-2.75-CF-N5-EP	\$5,461	OPWA-2.75-CF-N5-M	\$1,446	OPSS-2.75-CF-N5-M	\$5,147
	OPWA-2.75-CF-N6-EP	\$1,525	OPSS-2.75-CF-N6-EP	\$5,338	OPWA-2.75-CF-N6-M	\$1,368	OPSS-2.75-CF-N6-M	\$5,025
	OPWA-2.75-CF-N8-EP	\$1,525	OPSS-2.75-CF-N8-EP	\$5,338	OPWA-2.75-CF-N8-M	\$1,368	OPSS-2.75-CF-N8-M	\$5,025
3.375 in. Outside Diameter Conflat® Flange (2.01 in. Port)	LPWA-3.375-CF-N1-EP	\$1,851	LPSS-3.375-CF-N1-EP	\$6,000	LPWA-3.375-CF-N1-M	\$1,695	LPSS-3.375-CF-N1-M	\$6,055
	LPWA-3.375-CF-N5-EP	\$2,112	LPSS-3.375-CF-N5-EP	\$6,306	LPWA-3.375-CF-N5-M	\$1,956	LPSS-3.375-CF-N5-M	\$5,994
	LPWA-3.375-CF-N6-EP	\$2,094	LPSS-3.375-CF-N6-EP	\$6,153	LPWA-3.375-CF-N6-M	\$1,936	LPSS-3.375-CF-N6-M	\$5,840
	LPWA-3.375-CF-N8-EP	\$2,094	LPSS-3.375-CF-N8-EP	\$6,153	LPWA-3.375-CF-N8-M	\$1,936	LPSS-3.375-CF-N8-M	\$5,840
4.50 in. Outside Diameter Conflat® Flange (2.51 in. Port)	LPWA-4.50-CF-N1-EP	\$1,981	LPSS-4.50-CF-N1-EP	\$6,073	LPWA-4.50-CF-N1-M	\$1,814	LPSS-4.50-CF-N1-M	\$5,761
	LPWA-4.50-CF-N5-EP	\$2,506	LPSS-4.50-CF-N5-EP	\$6,282	LPWA-4.50-CF-N5-M	\$2,346	LPSS-4.50-CF-N5-M	\$5,969
	LPWA-4.50-CF-N6-EP	\$2,444	LPSS-4.50-CF-N6-EP	\$6,239	LPWA-4.50-CF-N6-M	\$2,275	LPSS-4.50-CF-N6-M	\$6,956
	LPWA-4.50-CF-N8-EP	\$2,444	LPSS-4.50-CF-N8-EP	\$6,239	LPWA-4.50-CF-N8-M	\$2,275	LPSS-4.50-CF-N8-M	\$6,956
6.00 in. Outside Diameter Conflat® Flange (4.01 in. Port)	LPWA-6-CF-N1-EP	\$2,346	LPSS-6-CF-N1-EP	\$6,993	LPWA-6-CF-N1-M	\$2,178	LPSS-6-CF-N1-M	\$6,619
	LPWA-6-CF-N5-EP	\$2,465	LPSS-6-CF-N5-EP	\$7,373	LPWA-6-CF-N5-M	\$2,303	LPSS-6-CF-N5-M	\$7,373
	LPWA-6-CF-N6-EP	\$2,359	LPSS-6-CF-N6-EP	\$7,330	LPWA-6-CF-N6-M	\$2,275	LPSS-6-CF-N6-M	\$6,956
	LPWA-6-CF-N8-EP	\$2,359	LPSS-6-CF-N8-EP	\$7,330	LPWA-6-CF-N8-M	\$2,275	LPSS-6-CF-N8-M	\$6,956
8.00 in. Outside Diameter Conflat® Flange (6.02 in. Port)	LPWA-8-CF-N1-EP	\$2,682	LPSS-8-CF-N1-EP	\$8,343	LPWA-8-CF-N1-M	\$2,444	LPSS-8-CF-N1-M	\$7,969
	LPWA-8-CF-N5-EP	\$3,016	LPSS-8-CF-N5-EP	\$9,263	LPWA-8-CF-N5-M	\$2,787	LPSS-8-CF-N5-M	\$8,889
	LPWA-8-CF-N6-EP	\$2,787	LPSS-8-CF-N6-EP	\$8,803	LPWA-8-CF-N6-M	\$2,611	LPSS-8-CF-N6-M	\$8,429
	LPWA-8-CF-N8-EP	\$2,787	LPSS-8-CF-N8-EP	\$8,803	LPWA-8-CF-N8-M	\$2,611	LPSS-8-CF-N8-M	\$8,429
10.00 in. Outside Diameter Conflat® Flange (8.02 in. Port)	LPWA-10-CF-N1-EP	\$4,424	LPSS-10-CF-N1-EP	\$8,772	LPWA-10-CF-N1-M	\$3,961	LPSS-10-CF-N1-M	\$8,398
	LPWA-10-CF-N5-EP	\$4,765	LPSS-10-CF-N5-EP	\$9,754	LPWA-10-CF-N5-M	\$4,297	LPSS-10-CF-N5-M	\$9,379
	LPWA-10-CF-N6-EP	\$4,639	LPSS-10-CF-N6-EP	\$9,263	LPWA-10-CF-N6-M	\$4,130	LPSS-10-CF-N6-M	\$8,889
	LPWA-10-CF-N8-EP	\$4,639	LPSS-10-CF-N8-EP	\$9,263	LPWA-10-CF-N8-M	\$4,130	LPSS-10-CF-N8-M	\$8,889
12.00 in. Outside Diameter Conflat® Flange (10.02 in. Port)	LPWA-12-CF-N1-EP	\$5,949	LPSS-12-CF-N1-EP	\$14,109	LPWA-12-CF-N1-M	\$5,564	LPSS-12-CF-N1-M	\$13,354
	LPWA-12-CF-N5-EP	\$6,327	LPSS-12-CF-N5-EP	\$15,458	LPWA-12-CF-N5-M	\$5,984	LPSS-12-CF-N5-M	\$14,704
	LPWA-12-CF-N6-EP	\$6,067	LPSS-12-CF-N6-EP	\$14,783	LPWA-12-CF-N6-M	\$5,815	LPSS-12-CF-N6-M	\$14,029
	LPWA-12-CF-N8-EP	\$6,067	LPSS-12-CF-N8-EP	\$14,783	LPWA-12-CF-N8-M	\$5,815	LPSS-12-CF-N8-M	\$14,029

Contact factory for SolidWorks 3D *.STEP format files. 2D drawing below for outline dimension reference.

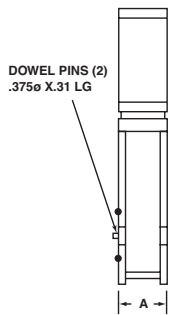
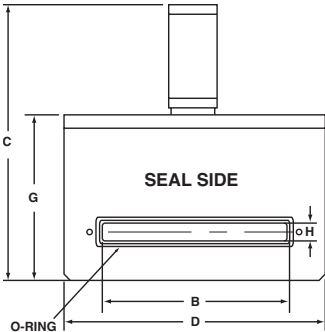


For valves with ports up to 8 inches the actuator is on the same side as the gate seal, valves with ports 10 inches and larger have the actuator opposite the gate seal side.

Nominal CF Flange O.D.	Model No ANSI Flange All dimensions in inches	Port Diam.	Flange O.D.	Flange Thickness	Bolt Circle	(no of bolts) x bolt size	A		B _{MAN} Manual Overall Height	B _{EP} EP Overall Height	D _{EP} EP Overall Width	F Disassy. Clearance	Weight lbs. Aluminum	
							Alum Flange to Flange	St. Steel Flange to Flange					Net	Ship
2.75 in.	OPWA 2.75 N1	1.50	2.75	0.500	2.312	(6) ¼ - 28	3.88	2.38	10.41	11.13	6.75	2.63	8	13
2.75 in.	OPWA 2.75 N5	1.50	2.75	0.500	2.312	.265 thru hold on neck	6.63	5.12	10.41	11.13	6.75	2.63	8	13
2.75 in.	OPWA 2.75 N6 & N8	1.50	2.75	0.500	2.312	.265 thru hold on neck	5.25	3.75	10.41	11.13	6.75	2.63	8	13
3.375 in.	LPWA 3.375 N1	2.01	3.38	0.625	2.85	(6) ⅝ - 24	3.88	2.630	10.41	11.13	6.75	2.63	8	13
3.375 in.	LPWA 3.375 N5	2.01	3.38	0.625	2.85	.332 thru hold on neck	7.13	5.88	10.41	11.13	6.75	2.63	8	13
3.375 in.	LPWA 3.375 N6 & N8	2.01	3.38	0.625	2.85	.332 thru hold on neck	5.51	4.26	10.41	11.13	6.75	2.63	8	13
4.50 in.	LPWA 4.50 N1	2.51	4.50	0.680	3.628	(8) ⅝ - 24	3.88	2.74	10.75	11.5	6.75	2.63	8	13
4.50 in.	LPWA 4.50 N5	2.51	4.50	0.680	3.628	.332 thru hold on neck	7.35	6.21	10.75	11.5	6.75	2.63	8	13
4.50 in.	LPWA 4.50 N6 & N8	2.51	4.50	0.680	3.628	.332 thru hold on neck	5.62	4.48	10.75	11.5	6.75	2.63	8	13
6 in.	LPWA 6 N1	4.01	6.00	0.780	5.128	(16) ⅝ - 24	4.43	2.94	14.18	14.93	7.80	4.0	10	15
6 in.	LPWA 6 N5	4.01	6.00	0.780	5.128	.332 thru hold on neck	8.30	6.81	14.18	14.93	7.80	4.0	10	15
6 in.	LPWA 6 N6 & N8	4.01	6.00	0.780	5.128	.332 thru hold on neck	6.37	4.88	14.18	14.93	7.80	4.0	10	15
8 in.	LPWA 8 N1	6.02	8.00	0.880	7.128	(20) ⅝ - 24	4.63	3.14	19.75	20.5	10.50	4.48	14	21
8 in.	LPWA 8 N5	6.02	8.00	0.880	7.128	.332 thru hold on neck	8.90	7.41	19.75	20.5	10.50	4.48	14	21
8 in.	LPWA 8 N6 & N8	6.02	8.00	0.880	7.128	.332 thru hold on neck	6.77	5.28	19.75	20.5	10.50	4.48	14	21
10 in.	LPWA 10 N1	8.02	10.00	0.970	9.128	(24) ⅝ - 24	4.81	4.05	25.81	26.6	12.0	5.15	25	30
10 in.	LPWA 10 N5	8.02	10.00	0.970	9.128	.332 thru hold on neck	9.44	8.68	25.81	26.6	12.0	5.51	25	30
10 in.	LPWA 10 N6 & N8	8.02	10.00	0.970	9.128	.332 thru hold on neck	7.12	6.36	25.81	26.6	12.0	5.51	25	30
12 in.	LPWA 12 N1	10.02	12.00	1.020	11.118	(32) ⅝ - 24	4.91	4.15	25.75	26.5	16.50	5.51	50	59
12 in.	LPWA 12 N5	10.02	12.00	1.020	11.118	.332 thru hold on neck	9.74	8.98	25.75	26.5	16.51	5.51	50	59
12 in.	LPWA 12 N6 & N8	10.02	12.00	1.020	11.118	.332 thru hold on neck	7.32	6.56	25.75	26.5	16.50	5.51	50	59



- Less Outgassing Than Stainless, See Page 40
- Choose Full Throttle Control or Open/Close
- Motorized Soft Open and Close Available
- Closing Speeds as Fast as 75 mSec. Available
- Aluminum or Stainless Steel
- Standard Quad Ring Shaft Seal
- Leak Tested to Better Than 5 X 10⁻¹⁰ scc/sec
- All Valves (RoHS) 2015/863/EU Compliant
- Port Sizes to Fit Any Wafer or Solar Substrate
- Bolt Pattern to Match Your Tool or Chamber
- Select Automatic Close or Open on Power Fail
- Available with Viton®, Buna-N or Kalrez® Seals
- NW Style Gauge & Roughing Ports on Any Side



Model Number Bellows Seal-REB Quad Ring Seal-REQ	Port Size	Body Thick-ness	Overall Height	Body Width	Body Height	Price with Shaft Seal (REQ)
REB-1 X 6.3 REQ-1 X 6.3	1 X 6.30 in. (25 X 160 mm)	2.75 in. (70 mm)	16.375 in. (416 mm)	10.75 in. (273 mm)	9.5 in. (241 mm)	\$5,286
REB-1 X 8.3 REQ-1 X 8.3	1 X 8.30 in. (25 X 211 mm)	2.75 in. (70 mm)	16.375 in. (416 mm)	12.75 in. (324 mm)	9.5 in. (241 mm)	\$5,905
REB-1 X 10.4 REQ-1 X 10.4	1 X 10.40 in. (25 X 264 mm)	2.75 in. (70 mm)	16.375 in. (416 mm)	15 in. (381 mm)	9.5 in. (241 mm)	\$6,747
REB-1.25 X 8.75 REQ-1 25 X 8.75	1.25 X 8.75 in. (32 X 222 mm)	2.75 in. (70 mm)	16.375 in. (416 mm)	14 in. (356 mm)	9.5 in. (241 mm)	\$6,535
REB-1.81 X 9.3 REQ-1.81 X 9.3	1.81 X 9.30 in. (46 X 236 mm)	3.375 in. (86 mm)	16.53 in. (420 mm)	14.375 in. (406mm)	9.53 in. (242 mm)	\$6,747
REB-1.8 X 13.2 REQ-1.8 X 13.2	1.81 X 13.20 in. (46 X 335 mm)	3.375 in. (86 mm)	16.53 in. (420 mm)	16 in. (406 mm)	9.53 in. (242 mm)	\$12,864
REB-2 X 16 REQ-2 X 16	2 X 16 in. (50 X 406 mm)	4.625 in. (117 mm)	22.06 in. (560 mm)	21 in. (533 mm)	11.56 in. (294 mm)	Contact Factory
REB-2 X 27 REQ-2 X 27	2 X 27 in. (51 X 686 mm)	7 in. (178 mm)	36 in. (914 mm)	32 in. (813 mm)	24.5 in. (610 mm)	Contact Factory
REB-3 X 16 REQ-3 X 16	3 X 16 in. (76 X 406 mm)	6.5 in. (165 mm)	37 in. (940 mm)	20 in. (508 mm)	25 in. (635 mm)	Contact Factory
REB-3 X 30 REQ-3 X 30	3 X 30 in. (75 X 762 mm)	5.5 in. (139.7 mm)	35.13 in. (892 mm)	36 in. (914 mm)	21.75 in. (552 mm)	Contact Factory
REB-3 X 43 REQ-3 X 43	3 X 43 in. (75 X 1100 mm)	5.56 in. (141 mm)	33.25 in. (845 mm)	51 in. (1297 mm)	20 in. (508 mm)	Contact Factory
REB-4 X 20 REQ-4 X 20	4 X 20 in. (100 X 508 mm)	5.5 in. (139.7 mm)	35.13 in. (892 mm)	26 in. (660 mm)	21.75 in. (552 mm)	Contact Factory
REB-4 X 24 REQ-4 X 24	4 X 24 in. (100 X 609 mm)	5.5 in. (139.7 mm)	37.0 in. (940 mm)	30 in. (762 mm)	21.75 in. (552 mm)	Contact Factory
REB-4 X 27 REQ-4 X 27	4 X 27 in. (100 X 686 mm)	7 in. (178 mm)	39 in. (990 mm)	32 in. (813 mm)	27 in. (686 mm)	Contact Factory
REB-5 X 27 REQ-5 X 27	5 X 27 in. (127 X 686 mm)	7 in. (178 mm)	39 in. (990 mm)	32 in. (813 mm)	27 in. (686 mm)	Contact Factory
REB-15 X 27 REQ-15 X 27	15 X 27 in. (381 X 686 mm)	7 in. (178 mm)	67.8 in. (1722 mm)	32 in. (813 mm)	44 in. (1118 mm)	Contact Factory
REB-15 X 33.5 REQ-15 X 33.5	15 X 33.5 in. (380 X 850 mm)	5.56 in. (1741 mm)	49 in. (1245 mm)	40.75 in. (1035 mm)	NA	Contact Factory
REB-22 X 24 REQ-22 X 24	22 X 24 in. (560 X 610mm)	7.7 in. (195 mm)	92 in. (2337 mm)	31 in. (787 mm)	61.25 in. (1556 mm)	Contact Factory
REB-24 X 35 REQ-24 X 35	4 X 55 in. (100 X 1400 mm)	9.06 in. (230 mm)	101 in. (2565 mm)	42.5 in. (1080 mm)	66.125 in. (1680 mm)	Contact Factory

Electronic Position Indicators:

Two reed switches activated by a magnet inside the pneumatic actuator provide contact closure for open and closed position. See page 41 for specifications. \$185/pair

Gauge and Roughing Ports:

See page 43 for specifications and ordering information.

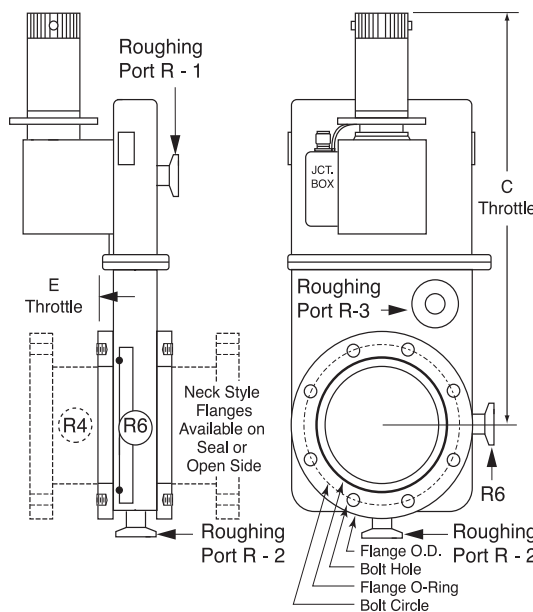
Electric Motor Actuators for LPWA Series Gate Valves

(115 or 230 VAC/1-Phase Motors)



12 In. Stainless Valve with Electric Motor Actuator
All Valves (RoHS) 2015/863/EU Compliant

2 Position (open/closed) electric actuators are available for all LPWA valves from 2 to 16 inch ANSI and 50 to 400 mm ISO sizes. These actuators replace the standard electro-pneumatic actuators and can be installed on either aluminum or stainless steel valves. In addition to these open/closed actuators our Throttlemaster® series provides full modulation from 0% to 100% for 3 position or PID throttling. Refer to the Throttlemaster® specifications in this catalog.



ANSI Port Size	Motor C	Motor E
2 & 3 inch	15.9 inch	4.34 inch
4 inch	19.7 inch	4.15 inch
6 inch	22 inch	4.03 inch
8 inch	22 inch	4.03 inch
10 inch	20.67 inch	3.90 inch
12 inch	22.74 inch	3.90 inch

ISO Port Size	Motor C	Motor E
63 & 80 mm	403 mm	110 mm
100 mm	403 mm	110 mm
160 mm	487 mm	105 mm
200 mm	561 mm	102 mm
250 mm	525 mm	99 mm
320 mm	577 mm	99 mm

Dimensions: Port dimensions, bolt patterns, and other dimensions are shown on pages 6 and 7 for ANSI and page 13 for ISO valves. A few dimensions unique to the Electric Motor Actuator are listed here.

Electric Motor Actuator for Gate Valves

Electric Actuator includes motor with Thermal Protection and open/close switch with 25 ft. of cable.

Power Required

5 A @ 115V 50/60 Hz at the valve site, 230 V optional.

Open / Close; Manual Switch

In a surface mount box with LEDs to indicate open and closed, and 25 ft. (7.7 m) of cable (longer cable can be added). No power required at the switch site. Switch box is approximately 3 X 4 inches.

Open / Close; Remote Input

In addition to the Manual Switch for Open/Close the valve may also be actuated by a signal from your PLC or other system controller. Any signal between 5 and 30 VDC will open the valve. Zero volts will close the valve. A 4 - 20 mA current signal may also be used.

ORDERING INFORMATION

Cost shown below should be added to the cost of valve with Electro Pneumatic actuator.

2 to 8 inch ANSI or 63 to 200 mm ISO Port LPWA or LPSS Valve Electric Motor Actuator

p/n: X801404 add\$861

10 inch ANSI; or 250 mm ISO Port LPWA or LPSS Valve Electric Motor Actuator

p/n: X801411 add\$994

Greater than 10 inch ANSI; or 250 mm ISO Port Electric Motor Actuator

.....\$1534

Position Indicators (Optional)

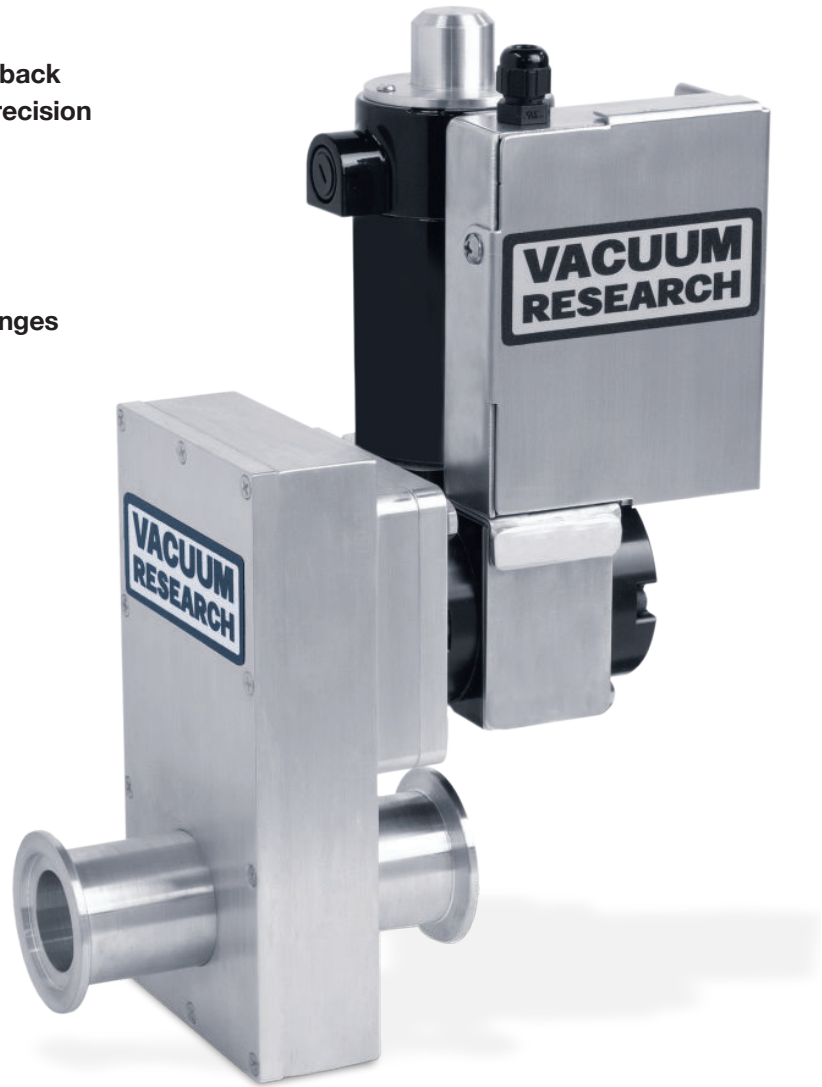
GMR - Gate Magnet Style

Magnets on the gate activate reed switches mounted in IP-65 enclosures on the outside of the valve body.

Contacts: non-inductive 15A, 125-277 VAC; 5A, 125-250 VDC. Inductive 5A, 125 VAC; 0.2A, 250 VDC.

p/n: X706014 add\$604/pair

- Only Throttle Valve in the world that uses back-to-back sine law relationships for pinpoint conductance precision
- Gates measure just .036 in. from the seal surface at 90% closed
- Seals Up To 3 atmospheres differential
- Upstream and downstream pressure control
- NW-25, NW-40, NW-50, ISO-63, or 2.75" Conflat flanges
- Non-contact gate position feed back
- Manual override if power fails
- Eliminates airlines and pressure regulators
- No external positioner needed
- Available on aluminum or stainless-steel valves
- Low power, 24 VDC

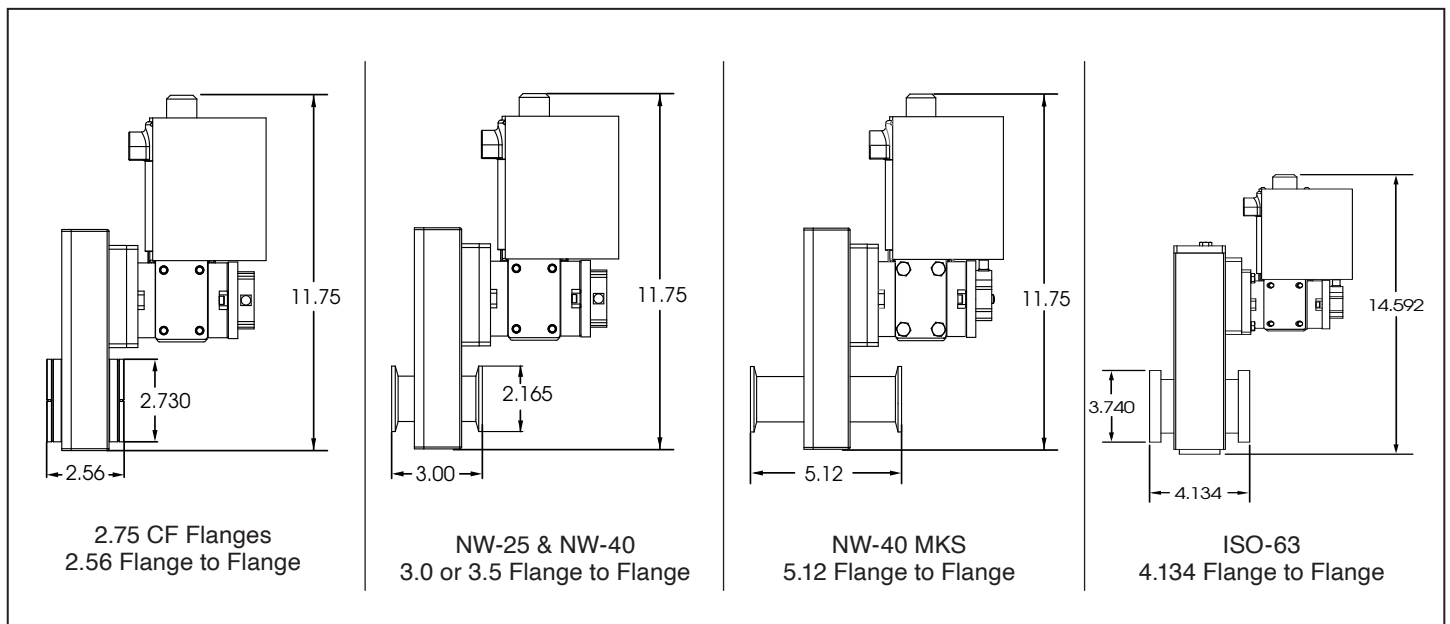


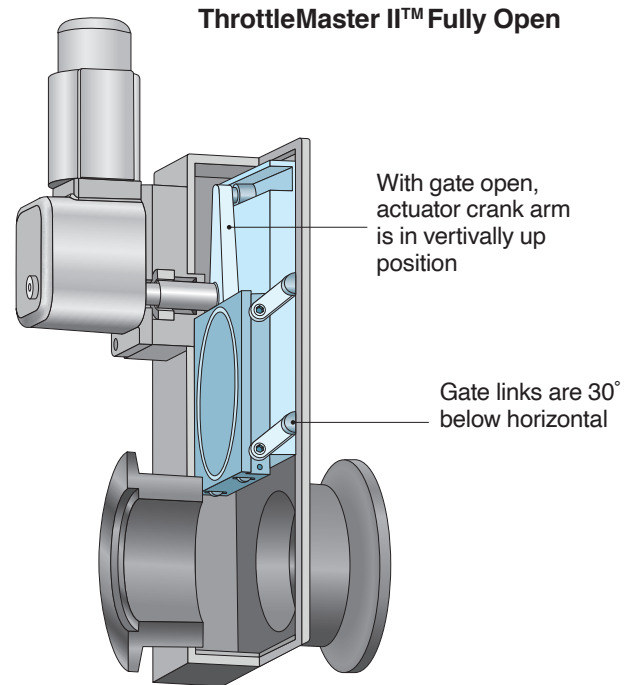
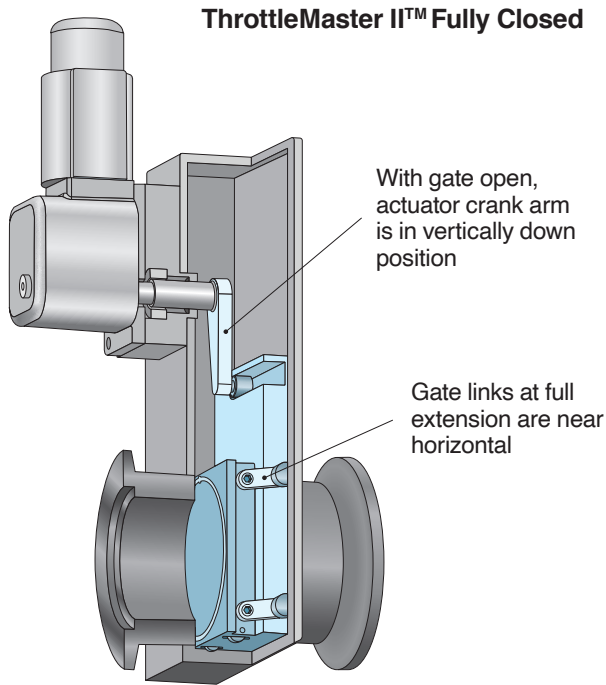
If you want to optimize flow rates, minimize pressure drop, and reduce energy costs of your system, then this is the most vital piece of news you will read today.

Vacuum Gate Valves with Electric Motor Actuators from Vacuum Research, avoid premature repairs, increase system reliability, and eliminate performance gaps.

Additionally, all our valves are (RoHS) 2015/863/EU compliant.

Select flanges that fit your system





The Throttlemaster II's proprietary gate drive uses a compound sine mechanism. The lateral motion of the gate follows a sine function, allowing the gate position to become more precise as it nears the closed position. At the near-closed position, the motion changes from lateral to axial as the gate is moved toward the sealing surface following another sine function. The two sine function motions are compounded to provide the highest resolution when controlling at the near-closed position. This mechanical advantage also produces a high sealing force to withstand a full atmosphere of pressure in either direction as experienced in cryo-pump regeneration.

Aluminum Throttlemaster®

Throttle and isolation with the same valve and controlled by your PLC

Flange Size	Port Size	Model	Price
NW-25	25mm	ATM-24V-25	\$4,740
NW-40	40mm	ATM-24V-40	\$4,795
NW-50	50mm	ATM-24 V-50	\$4,795
2.75 CF	1.5 in	ATM-24V-2.75	\$4,795
ISO-63	63mm	ATM-24V-ISO-63	\$4,795

Valve Motor Voltage

The valve motor is 24 VDC, 1.2 amps
Viton® or Kalrez® O-Rings

Throttlemaster II valves are shipped standard with Viton® O-Rings. Kalrez® is available at extra cost.

Optional

- Power Supply & Positioner
- 24VDC power to valve motor.
 - 0 to 10 VDC output to set valve to a fixed position with ± 0.1% gate repeatability.



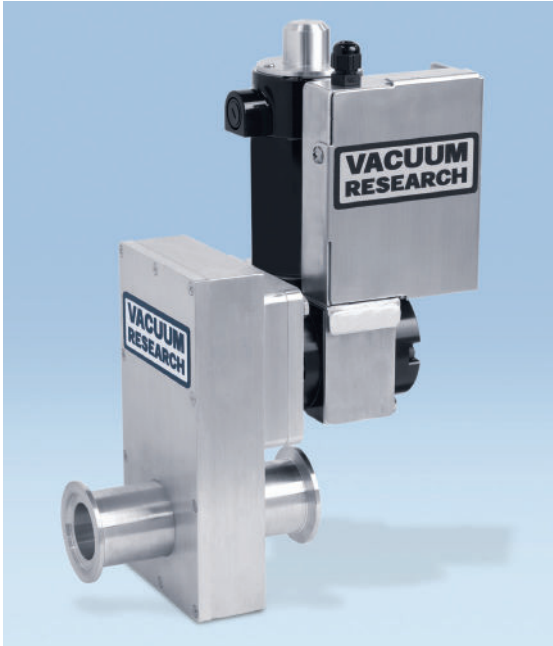
Max Conductance Precision Where it's Most Important

The only Throttle Valve in the world that uses back-to-back sine law relationships to provide maximum conductance precision where you need it most; between 90% to 100% closed.

Why is the Throttlemaster II conductance precision so good between 90% and 100% closed? There are two design features that allow both leak tight shut off and high resolution in the critical 90% to 100% closed range. The first of these is innovative mechanical design of our actuator, and the second is our high resolution feedback system.

The 180° arc of our actuator arm is double that of butterfly valves. More importantly, the critical 90% to 100% closed position is at bottom dead center where the motion per degree of rotation becomes zero. As this is happening, the gate links are approaching their full extension, which further enhances the resolution of the crank rotation and feed back sensor.

The Vacuum Research feedback element is imbedded in the motor shaft, and provides stepless resolution of the valve gate position. The motor itself is high torque that can repeatedly position the gate within a few thousandths of an inch and also hold the gate closed with a full atmosphere differential pressure.



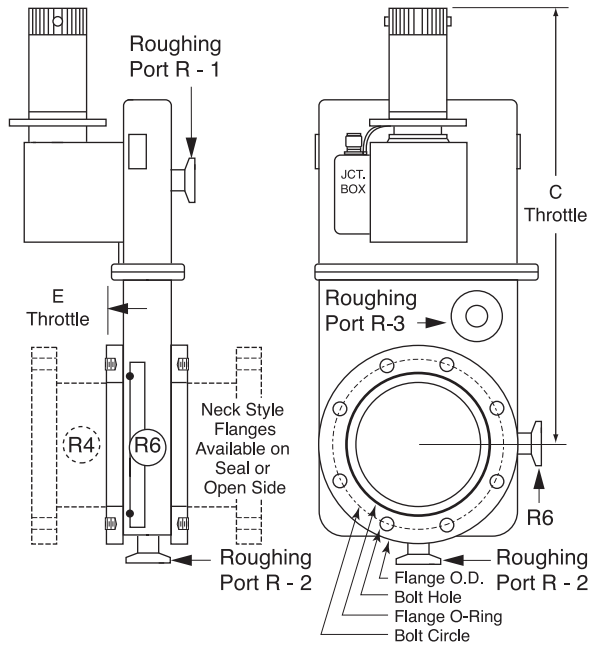
Throttemaster™ Gate Valve and Motor Positioner Unit. Aluminum has less outgassing than stainless steel. Up to 2 orders of magnitude less, see references on page 39.

- Aluminum or Stainless Steel Valves
- Seals Up To 3 Atmospheres Differential
- Vacuum or Atmosphere on Either Side
- ANSI Sizes From 2 Inch to 24 Inch
- ISO Flanges From 63 to 630 mm
- Manual or Closed Loop Operation
- All Valves (RoHS) 2015/863/EU Compliant

The Vacuum Research Throttemaster™ valve with positioner can be used in either of two control schemes. As a 3 position valve for upstream pressure control with an MFC, or for downstream pressure control with modulating gate position. For 3 position control the basic Throttemaster™ consists of two components: an aluminum or stainless steel gate valve and a positioner/indicator to drive the fast response servo motor. This is all you need to operate the Throttemaster™ as a 3 position valve in systems where the mass flow controller is controlling the pressure.

The Throttemaster™ can also be used for downstream pressure control where the gas flow to the chamber is held constant and the Throttemaster™ gate is moved to control conductance of the pumping system. This requires the use of a PID pressure controller to provide a signal to the valve positioner and a vacuum gauge with a 0 to 10 vdc signal to the PID controller. These may be purchased from Vacuum Research along with your Throttemaster™ Valve and positioner or you may be able to use your present gauge and controller.

Throttemaster™ Dimensions

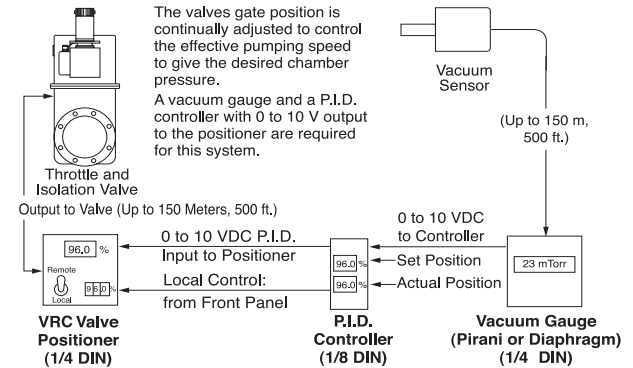


Port dimensions, bolt patterns, and other dimensions are shown on pages 6 and 7 for ANSI and page 13 for ISO valves. A few dimensions unique to the Throttemaster™ servo actuator are listed here.

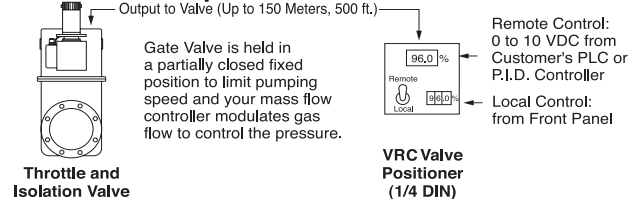
ANSI Flange Port Diameter	2 & 3 in. 4 in. Port	4 in. 6 in. Port	6 in. 8 in. Port	4 in. 6 in. Port	8 in. 10 in. Port	12 in. 12 in. Port
C Throttle	15.90 in.	19.17 in.	22.00 in.	22.00 in.	20.67 in.	22.74 in.
E Throttle	4.34 in.	4.15 in.	4.03 in.	4.03 in.	3.90 in.	3.90 in.

ISO Port Size	63 & 80 mm	100 mm	160 mm	200 mm	250 mm	320 mm
C Throttle	403 mm	403 mm	487 mm	561 mm	525 mm	577 mm
E Throttle	110 mm	110 mm	105 mm	102 mm	99 mm	99 mm

P.I.D. Closed Loop Downstream Pressure Control

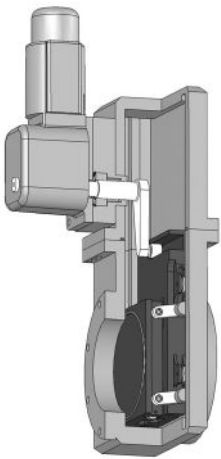


3 Position or Upstream Control

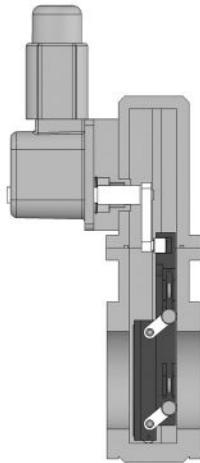


Stainless Steel Throttlemaster™ Valve System with Positioner			
Port Size	Flange Size	Model	Price
25 mm	NW-25	STM-25	Contact Factory
40 mm	NW-40	STM-40	Contact Factory
50 mm	NW-50	STM-50	Contact Factory
63 mm	ISO-f 63 mm	STM-63	Contact Factory
80 mm	ISO-f 80 mm	STM-80	Contact Factory
100 mm	ISO-f 100 mm	STM-100	Contact Factory
160 mm	ISO-f 160 mm	STM-160	Contact Factory
200 mm	ISO-f 200 mm	STM-200	Contact Factory
250 mm	ISO-f 250 mm	STM-250	Contact Factory
320 mm	ISO-f 320 mm	STM-320	Contact Factory
400 mm	ISO-f 400 mm	STM-400	Contact Factory
500 mm	ISO-f 500 mm	STM-500	Contact Factory
3.375 in.	ANSI 2 in.	STM-2	Contact Factory
3.375 in.	ANSI 3 in.	STM-3	Contact Factory
5.375 in.	ANSI 4 in.	STM-4	Contact Factory
7.125 in.	ANSI 6 in.	STM-6	Contact Factory
8 in.	ANSI 8 in.	STM-8	Contact Factory
11.625 in.	ANSI 10 in.	STM-10	Contact Factory
12 in.	ANSI 12 in.	STM-12	Contact Factory
16 in.	ANSI 16 in.	STM-16	Contact Factory
20 in.	ANSI 20 in.	STM-20	Contact Factory

Aluminum Throttlemaster™ Valve System With Positioner			
Port Size	Flange Size	Model	Price
25 mm	NW-25	ATM-25	\$4,776
40 mm	NW-40	ATM-40	\$4,831
50 mm	NW-50	ATM-50	\$4,899
63 mm	ISO-f 63 mm	ATM-63	\$5,015
80 mm	ISO-f 80 mm	ATM-80	\$5,617
100 mm	ISO-f 100 mm	ATM-100	\$5,775
160 mm	ISO-f 160 mm	ATM-160	\$6,081
200 mm	ISO-f 200 mm	ATM-200	\$7,665
250 mm	ISO-f 250 mm	ATM-250	\$10,925
320 mm	ISO-f 320 mm	ATM-320	\$12,905
400 mm	ISO-f 400 mm	ATM-400	\$22,320
500 mm	ISO-f 500 mm	ATM-500	\$32,319
620 mm.	ISO-f 630 mm	ATM-630	\$44,456
3.625 in.	ANSI 2 in.	ATM-2	\$5,015
4 in.	ANSI 3 in.	ATM-3	\$5,617
6 in.	ANSI 4 in.	ATM-4	\$5,817
8 in.	ANSI 6 in.	ATM-6	\$7,009
10 in.	ANSI 8 in.	ATM-8	\$7,227
12 in.	ANSI 10 in.	ATM-10	\$10,925
12 in.	ANSI 12 in.	ATM-12	\$12,894
16 in.	ANSI 16 in.	ATM-16	\$22,320
20 in.	ANSI 20 in.	ATM-20	\$33,445
24 in.	ANSI 24 in.	ATM-24	\$45,982



Throttlemaster™ Fully Closed
Note that crank arm is vertical and links are near horizontal



Throttlemaster™ 90% Closed
Note that gate has moved only .036 inch (0.9m) from the seal surface

Max Conductance Precision Where it's Most Important

The only Throttle Valve in the world that uses back-to-back sine law relationships to provide maximum conductance precision where you need it most; between 90% to 100% closed!

Why is the Throttlemaster™ conductance precision so good between 90% and 100% closed? There are two design features that allow both leak tight shut off and high resolution in the critical 90% to 100% closed range. The first of these is innovative mechanical design of our actuator, and the second is our high resolution feedback system.

The 180° arc of our actuator arm is double that of butterfly valves. More importantly, the critical 90% to 100% closed position is at bottom dead center where the motion per degree of rotation becomes zero. As this is happening, the gate links are approaching their full extension, which further enhances the resolution of the crank rotation and feed back sensor.

The Vacuum Research feedback element is directly coupled to the motor shaft, and provides stepless resolution of the valve position. The motor itself is a high torque servo that can repeatedly position the gate within a few thousandths of an inch and also lock the gate closed with a full atmosphere differential.

Optional Features

The valves used in the Vacuum Research Throttlemaster™ are the same as the standard open/close valves discussed on pages 4 to 7 of this cata-log. The difference is that the Throttlemaster™ gate position is precisely controlled by the servo motor actuator and the valve positioner to full open, full close, or anywhere in between. A Throttlemaster™ valve can be equipped with roughing and gauge ports and most of the options listed in optional features section.

Valve Motor Voltage

The standard valve motor is 115V, 60 Hz approximately 300 w for 220-240V, 50 Hz. Add suffix 220/50 to P/N.....No extra charge.

Viton® and Kalrez® O-Rings

Throttlemaster™ valves are shipped with Buna-N O-Rings except for the gate seal which is Viton®. For valves with all Viton® or Kalrez® see page 5 for prices on these special O-Rings.

Spare Valve Positioner

Remote mini Valve Positioner: P/N X801403.....\$1,579

Hand Held Controls:.....\$596

Cable Between Valve and Positioner

A 25 ft. (7m) cable is included with each Throttlemaster™ and cables up to 500 ft. (150 m) are available. If more than 25 ft. is required add the length as a suffix to the valve model number and add:\$4/ft.

Throttlemaster™ is a trademark of Vacuum Research.

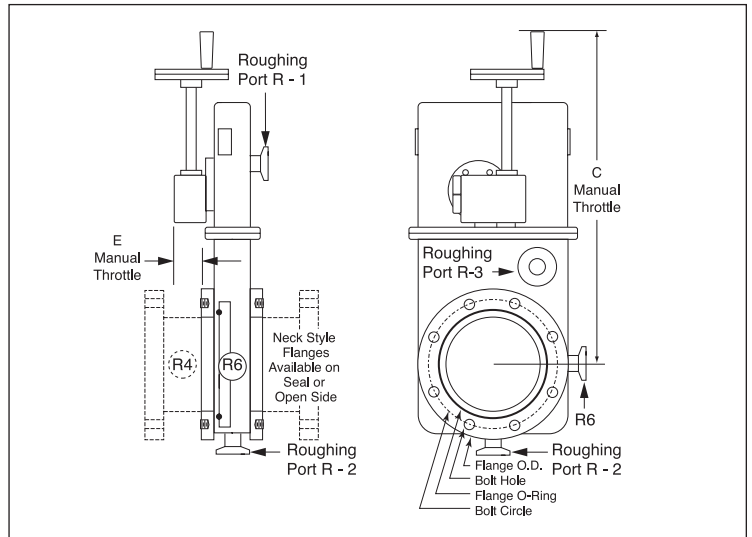


- Less Outgassing Than Stainless Steel, See Page 40
- Throttle & Leak Tight Shut Off in One Valve
- Aluminum or Stainless Steel Valves
- Seals Up To 3 Atmospheres Differential
- Vacuum or Atmosphere on Either Side
- ANSI Flange Sizes From 2 Inch To 20 Inch
- Tapped Hole or Neck Style ANSI Flanges
- ISO-k or f style Flanges From 63 To 500 mm
- Locks in Open and Closed Positions
- All Valves (RoHS) 2015/863/EU Compliant

Actuator handle can be easily repositioned to anywhere from left to center to right to provide the most convenient access. Valve on the left is shown with guard removed.

The Vacuum Research Manual Throttle Valves serve the dual purposes of high vacuum isolation valve with leak tight shutoff plus precision pump capacity control for sputtering or plasma. They are suitable for use with turbo, diffusion or cryo pumps, and are always leak tight during regeneration.

Both f and k style ISO flanges are available, as are neck style ANSI flanges. Optional ports for roughing and gauges can be located anywhere on the valve body; sizes from NW-16 to NW-50 are available.



ANSI Flanges

Nominal ANSI Size	Model NO. ANSI Flange	Port Diameter	Flange O.D.	Flange O-Rings	Bolt Circle	(no of bolts) x bolt size	A Flange to Flange	C Manual Throttle	E Manual Throttle	F Disassy. Clearance	Weight lbs.		Price
											Net	Ship	
2 inch	LPWA 2 N1	3.375	6.00	3.625 ID X .139	4.75	(4) 5/8-11	3.75	15.00	2.50	2.625	13	20	\$2,344
3 inch	LPWA 3 N1	4.00	7.50	4.00 ID X .139	6.00	(4) 5/8-11	3.75	15.00	2.50	2.625	15	22	\$2,507
4 inch	LPWA 4 N1	6.00	9.00	5.75 ID X .139	7.50	(8) 5/8-11	4.125	21.00	2.563	4.50	31	45	\$2,705
6 inch	LPWA 6 N1	8.00	11.00	7.50 ID X .119	9.50	(8) 3/4-10	4.375	24.00	2.563	5.50	49	60	\$3,149
8 inch	LPWA 8 N1	10.00	13.50	9.00 ID X .275	11.75	(8) 3/4-10	4.375	24.00	2.563	5.50	55	66	\$5,150
10 inch	LPWA 10 N1	12.00	16.00	12.00 ID X .275	14.25	(12) 7/8-9	4.625	27.188	1.50	4.75	109	130	\$6,331
12 inch	LPWA 12 N1	12.00	19.00	13.00 ID X .275	17.00	(12) 7/8-9	4.625	27.188	1.50	4.75	129	150	\$7,836
16 inch	LPWA 16 N1	16.00	23.50	17.00 ID X .275	21.25	(16) 1-8	6.50	37.00	1.50	7.00	200	350	\$15,790

ISO Flanges

Nominal ANSI Size	Model NO. ANSI Flange	Port Diameter	Flange O.D.	Flange O-Rings	Bolt Circle	(no of bolts) x bolt size	A Flange to Flange	C Manual Throttle	E Manual Throttle	F Disassy. Clearance	Weight lbs.		Price
											Net	Ship	
63 mm	LPWA 63 N1	70	130	Use standard ISO centering rings. These are not included with the valve and should be purchased separately.	110	(4) M8-1.25	70	381	64	67	13	20	\$2,240
80 mm	LPWA 80 N1	83	145		125	(8) M8-1.25	95	381	64	67	15	22	\$2,417
100 mm	LPWA 100 N1	102	165		145	(8) M8-1.25	95	381	64	114	31	45	\$2,767
160 mm	LPWA 160 N1	153	225		200	(8) M10-1.25	105	533	65	140	49	60	\$2,932
200 mm	LPWA 200 N1	213	285		260	(12) M10-1.25	111	610	65	140	55	66	\$5,231
250 mm	LPWA 250 N1	261	335		310	(12) M10-1.75	117	690	38	120	109	130	\$6,316
320 mm	LPWA 320 N1	318	425		395	(12) M10-1.75	117	690	38	120	129	150	\$7,702
400 mm	LPWA 400 N1	400	510		480	(16) M12-1.75	165	940	38	178	200	350	\$15,790



This precision 3 position system is available on Gate, Poppet and Rectangular Port Valves

The Vacuum Research 3 Position Valve System was developed for use on sputter, plasma etch and other vacuum systems where it is desirable to reduce pumping speed to conserve gas and simplify pressure control. By utilizing the high vacuum valve for throttling the cost and maintenance of mechanical conductance controllers is completely eliminated. Even in the full open position all conductance controllers restrict pumping speed and this restriction can now be eliminated.

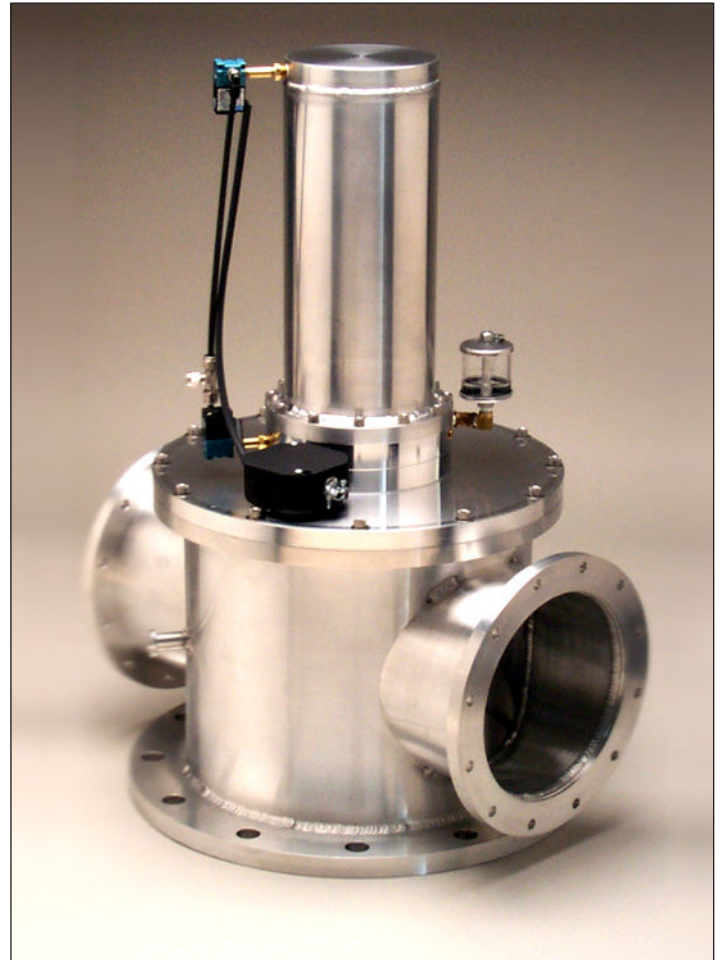
This precision 3 position system can be provided on Vacuum Research Poppet Valves, Rectangular Port Valves and Gate Valves with end-operated linear actuators. It is suitable for valves with port sizes from 2 inch to 24 inch, ISO-63 to ISO-600. The system can be provided on either aluminum or stainless steel valves.

The “3 POS” system consists of position indicators for full open and full closed plus a third position indicator for the throttle position. This throttle position indicator may be adjusted with a screw driver with-out any valve disassembly and with the valve either open or closed.

Ordering Information

To order this feature on a Vacuum Research Valve, add the suffix “3 POS” to the valve model number, and specify solenoid voltage of 115 V, 50/60 Hz; 230 V, 50 Hz or 24 VDC. Air pressure required is 70 PSI (5 kg/cm²)
 Add to Valve Price.....\$601

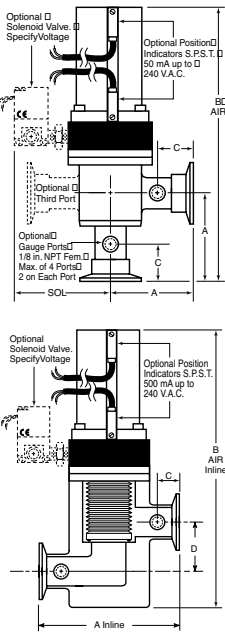
- Less Outgassing Than Stainless Steel, See Page 40
- Eliminates All Conductance Controllers
- For Any Sputter or Plasma Etch System
- Available on Gate and Poppet Style Valves
- All Sizes From 2 to 24 Inch, ISO 63 to 600
- Electropneumatic, Uses Standard Shop Air
- Specify Any Voltage, 115 or 230 VAC, 24 VDC
- Repeats Position to ± .015 Inch, 0.4 mm
- Adjust Throttle At Vacuum or Atmosphere





- Less Outgassing Than Stainless, See Page 40
- Aluminum or 304 Stainless Steel Bodies
- Leak Tested to Better Than 5×10^{-10} scc/s
- Select Welded Bellows or O-Ring Stem Seals
- Viton® Seat And Bonnet Seal Are Standard
- Kalrez® Seat & Bonnet Seals Also Available
- Gauge Fittings Available On Either Port
- Failsafe; Choose Spring Close Or Air Close
- All Valves (RoHS) 2015/863/EU Compliant

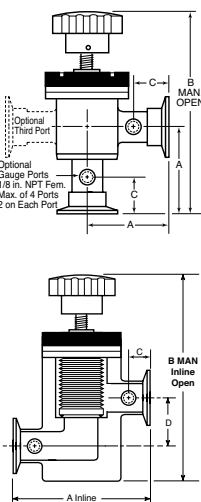
Aluminum and Stainless Steel Pneumatic or Manual Actuators, Angle or Inline Style with Port Sizes from NW-16 To NW-50



Air To Open/Spring To Close (See "Optional Features" on next page for Air Open/Air Close or Spring to Open)

	Part Number For Inline Style replace "ANG" with "INL"	Description	Angle Style			Inline Style				
			Price	A	B Air	C	Price	A	B Air	D
Bellows Stem Seal 1,000,000 Cycles	SS-BEL-ANG-75-AIR	No Flanges, 0.75 O.D.	\$472	2.1	6.2	.85	\$385	4.2	5.9	1.1
	SS-BEL-ANG-133-AIR	1.33 CF on Both Ports	\$522	2.1	6.2	.85	\$429	4.2	5.9	1.1
	SS-BEL-ANG-16-AIR	NW-16 on Both Ports	\$589	2.1	6.2	.85	\$477	4.2	5.9	1.1
	ALUM-BEL-ANG-16-AIR	Aluminum Body, NW-16	\$444	2.1	6.2	.85	\$386	4.2	5.9	1.1
	SS-BEL-ANG-1.0-AIR	No Flanges, 1.00 O.D.	\$561	2.0	5.9	.82	\$434	4.0	6.1	1.4
	SS-BEL-ANG-212-AIR	2.12 CF on Both Ports	\$589	2.0	5.9	.82	\$477	4.0	6.1	1.4
	SS-BEL-ANG-25-AIR	NW-25 on Both Ports	\$589	2.0	5.9	.82	\$477	4.0	6.1	1.4
	ALUM-BEL-ANG-25-AIR	Aluminum Body, NW-25	\$504	2.0	5.9	.82	\$401	4.0	6.1	1.4
	SS-BEL-ANG-1.5-AIR	No Flanges, 1.50 O.D.	\$630	2.4	7.8	.90	\$534	4.8	8.4	1.9
	SS-BEL-ANG-275-AIR	2.75 CF on Both Ports	\$647	2.4	7.8	.90	\$477	4.8	8.4	1.9
O-Ring Stem Seal 250,000 Cycles	ALUM-O-ANG-16-AIR	Aluminum NW-16	\$424	1.6	5.6	.85	\$339	4.2	5.9	1.1
	ALUM-O-ANG-25-AIR	Body with NW-25	\$444	2.0	5.9	.82	\$364	4.0	6.1	1.4
	ALUM-O-ANG-40-AIR	O-Ring NW-40	\$574	2.6	7.8	.90	\$473	4.8	8.4	1.9
	ALUM-O-ANG-50-AIR	Shaft Seal NW-50	\$704	2.8	9.7	1.14	\$576	6.8	11.0	2.6

Manual Valves



	Part Number For Inline Style replace "ANG" with "INL"	Description	Angle Style			Inline Style				
			Price	A	B Man	C	Price	A	B Man	D
Bellows Stem Seal 1,000,000 Cycles	SS-BEL-ANG-75-MAN	No Flanges, 0.75 O.D.	\$439	2.1	6.2	.85	\$398	4.2	5.9	1.1
	SS-BEL-ANG-133-MAN	1.33 CF on Both Ports	\$462	2.1	6.2	.85	\$400	4.2	5.9	1.1
	SS-BEL-ANG-16-MAN	NW-16 on Both Ports	\$462	2.1	6.2	.85	\$400	4.2	5.9	1.1
	ALUM-BEL-ANG-16-MAN	Aluminum Body, NW-16	\$424	2.1	6.2	.85	\$368	4.2	5.9	1.1
	SS-BEL-ANG-1.0-MAN	No Flanges, 1.00 O.D.	\$439	2.0	5.9	.82	\$408	4.0	6.0	1.3
	SS-BEL-ANG-212-MAN	2.12 CF on Both Ports	\$482	2.0	5.9	.82	\$415	4.0	6.0	1.3
	SS-BEL-ANG-25-MAN	NW-25 on Both Ports	\$482	2.0	5.9	.82	\$415	4.0	6.0	1.3
	ALUM-BEL-ANG-25-MAN	Aluminum Body, NW-25	\$455	2.0	5.9	.82	\$408	4.0	6.0	1.3
	SS-BEL-ANG-1.5-MAN	No Flanges, 1.50 O.D.	\$655	2.4	7.8	.90	\$524	4.8	8.4	2.6
	SS-BEL-ANG-275-MAN	2.75 CF on Both Ports	\$482	2.4	7.8	.90	\$415	4.8	8.4	1.9
O-Ring Stem Seal 250,000 Cycles	ALUM-O-ANG-16-MAN	Aluminum NW-16	\$394	1.6	5.6	.85	\$341	4.2	5.9	1.1
	ALUM-O-ANG-25-MAN	Body with NW-25	\$432	2.0	5.8	.82	\$370	4.0	6.0	1.3
	ALUM-O-ANG-40-MAN	O-Ring NW-40	\$574	2.6	7.8	.90	\$473	4.8	8.4	1.9
	ALUM-O-ANG-50-MAN	Shaft Seal NW-50	\$666	2.8	9.3	1.14	\$502	6.8	10.6	2.6

3 Way Valves, Manual or Air Operated



Photo shows an NW-40 valve with optional position indicators on one side and one optional gauge port. Up to 3 gauge ports available at \$28. each.

Aluminum bodies with bellows shaft seal. The standard pneumatic actuator is air to open, spring to close. Other options such as gauge ports and position indicators are available. Two 3-way solenoids required. See below for cost of solenoids.

- NW-16, P/N: 3W-ALUM-BEL-16AIR.....\$991
- NW-25, P/N: 3W-ALUM-BEL-25AIR.....\$1,024
- NW-40, P/N: 3W-ALUM-BEL-40AIR.....\$1,130
- NW-50, P/N: 3W-ALUM-BEL-50AIR.....\$1,275
- NW-16, P/N: 3W-ALUM-BEL-16AIR..... \$935
- NW-25, P/N: 3W-ALUM-BEL-25AIR.....\$961
- NW-40, P/N: 3W-ALUM-BEL-40AIR.....\$1,063
- NW-50, P/N: 3W-ALUM-BEL-50AIR.....\$1,184
- 1/8" NPT GAUGE PORTS, Specify Location.....\$48

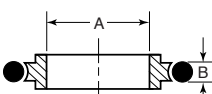
VCR or 1/8 Inch NPT Ports For Gauge Tubes

VCR-4 or 1/8 inch NPT female ports can be provided on the end or side valve ports. Any number of these ports in any combination can be specified by adding the appropriate suffix to the part number. For example, 1/8 RS suffix would specify a 1/8 inch NPT port on the right of the side port.

1/8 NPT Port Add: SS valves \$104

VCR Port Add: Stainless Steel Only \$188

Position Reference		P/N for 1/8 NPT Port	PN for VCR Port
RS	Right Side Port	H700020	H700033
LS	Left Side Port	H700021	H700034
RB	Right Bottom Port	H700022	H700035
LB	Left Bottom Port	H700023	H700036



Centering Rings

304 Stainless Steel With Viton O-Rings
(Buna-N O-Rings Available)

Flange Size	A	B	Part No	Price
NW-16	0.63 (16)	0.21 (5.3)	CTR-RING 16	\$8.00
NW-25	0.984 (25)	0.21 (5.3)	CTR-RING 25	\$9.00
NW-40	1.575 (40)	0.21 (5.3)	CTR-RING 40	\$13.00
NW-50	1.969 (50)	0.21 (5.3)	CTR-RING 50	\$15.00

Position Indicators

Pneumatically activated valves can be equipped with a pair of SPST switches to indicate valve open and closed. These unpowered switches have contacts rated for up to 500 mA at up to 240 VAC, non-inductive.

Add the suffix 'PI'. (Open & Closed). . . Add \$166/pair

Optional Third Port for Angle or Inline Valves



Standard angle valves have two ports: one bottom and one side. To add an additional side port for vacuum gauge tube installation, specify the optional third port by simply adding the suffix "3-Port" to any valve part number and add the cost shown below:

- NW-16.....add \$164 NW40.....add \$243
- NW-25.....add \$213 NW40.....add \$313

Spring to Open/Air to Close

For this option, add "SO" to the P/N & add cost below:

- NW-16 add \$81 NW-25 add \$81
- NW-40 add \$152 NW-50 add \$165

Air to Open/Air To Close

Standard valves use air to open and spring to close but as an option the valves can be built for air to open and close. Add the suffix 'AC' to the part number. Note that with this option a 4 way solenoid is required.

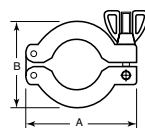
Air To Close and Open P/N: H700024.....Add \$100

1/8 NPT/ISO Adapter Fitting for Air P/N: H700032. N/C

Solenoids For Pneumatic Valves

Because many customers use central air manifolds to activate valves we offer these solenoids as an optional rather than standard feature. Solenoids are specified by adding a suffix to Valve part number below.

3 Way for Standard, Spring to Close Valves.....\$84		4 Way for Air Open/Air Close Valves.....\$121	
SOL-120 VAC	X134003	SOL-120 VAC	X703005
SOL-230 VAC	X134013	SOL-230 VAC	X134010
SOL-24 VDC	X-134032	SOL-24 VAC	X703041



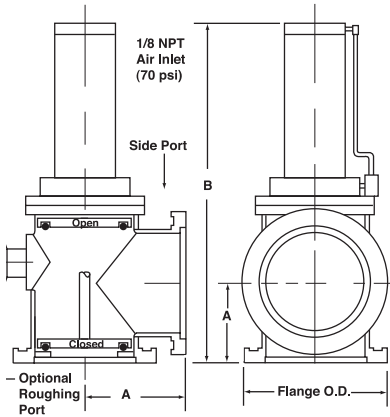
Clamps

Aluminum Clamps With Wing Nut & Screw Fastener

Flange Size	A	B	Thickness	Part No	Price
NW-16	2.24 (57)	1.69 (43)	0.63 (16)	AL-Clamp 16	\$6.00
NW-25	2.76 (70)	2.17 (55)	0.63 (16)	AL-Clamp 25	\$7.00
NW-40	3.39 (88)	3.39 (88)	0.63 (16)	AL-Clamp 40	\$8.00
NW-50	4.33 (110)	4.33 (110)	0.79 (20)	AL-Clamp 50	\$12.00



- Less Outgassing Than Stainless, See Page 40
- 6061 Aluminum Poppet Valves
- Over 100,000 Cycles Without Maintenance
- Optional Operation to 10 Bar, 147 PSIG
- 150 lb. ANSI Flanges Standard
- ISO and Special Flanges Available
- Flanges to Match Diffusion & Cryo Pumps
- 3 Port Valves Available in All Sizes
- Leak Tested To Better Than 5×10^{-10} scc/sec
- Automatic Closure on Power Failure
- All Valves (RoHS) 2015/863/EU Compliant



The standard configuration is with O-Rings on both flanges. However, valves can be provided without O-Rings, or with an O-Ring on only one side for no additional cost. If only one O-Ring is needed specify "open" or "seal" side.

ORDERING INFORMATION

Model Number: Refer to page 2 for instructions on how to specify the features you need.

Electronic Position Indicators: Two reed switches activated by a magnet inside pneumatic actuator provide closure for open & closed position. Add 'LSE' to Model No., see page 41 for specifications \$185/pair

Roughing Ports or Gauge Ports: Standard location is 180° from side port as shown in drawing. Other locations and more than one port are available.

Available on Any Size valve

NW-16	\$225	NW-40	\$281
NW 25	\$246	NW 50 (Not on 2" ..	\$301

Available on 6" or Larger Valves

ANSI 2 in.....	\$600	ISO k 63	\$405
ANSI 3 in	\$652	ISO k 80	\$526
ANSI 4 in.....	\$799	ISO k 100	\$574

Special Features: Refer to pages 40-43 for information on special features and accessories.

Viton® or Kalrez® or Silicone O-Rings: Our standard Poppet Valves use Buna-N O-Rings. You may specify Viton® (or other materials) throughout the valve with a "V", "S", or "K" in the model number. For Viton® add the following to the price. (For Silicone or Kalrez® contact the factory for prices.)

2 or 3 in. valves	\$90	8 in. valves	\$252	16 in. valves	Contact Factory
4 in. valves	\$129	10 in. valves	\$329	20 in. valves	Contact Factory
6 in. valves	\$160	12 in. valves	\$424		

Poppet valves with port sizes from 10 inch to 24 inch are designed to seal with vacuum on the bottom port and atmosphere on the side port. If you need to seal the valve with atmosphere on the bottom port (pushing the valve open) specify this on your inquiry and a larger cylinder will be provided.

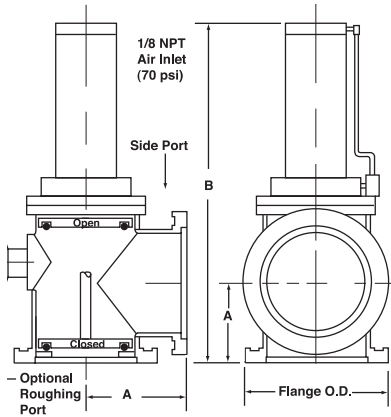
Nominal Size	Model No.	Bottom Port Diam.	Side Port Diam.	Both Flanges				Flange Face to Flange CL		C Overall Height	Roughing Port Max. Size	Aluminum Weight, lbs (kg)		Alum. Price	
				Flange O.O.	Bolt Circle	Bolt Holes Tapped Holes Optional	Flange O-Rings	A	B			Net	Ship		
2 inch	AV-2	2.00	2.50	6.00	4.75	(4) 1/16	2.75 x .210	3.688	3.125	12.50	NW-40	7 (3.2)	12 (5.5)	\$2,089	
3 inch	AV-3	3.00	3.188	7.50	6.00	(4) 1/16	4.00 x .210	4.50	4.125	17.125	NW-50	13 (5.9)	18 (8.2)	\$2,511	
4 inch	AV-4	4.00	4.188	9.00	7.50	(8) 1/16	5.50 x .275	5.50	4.625	19.50	NW-50	15 (6.8)	24 (11)	\$3,124	
6 inch	AV-6	6.00	6.188	11.00	9.50	(8) 13/16	7.50 x .275	6.25	6.375	30.40	4 in / ISO 100	28(12.7)	42 (19)	\$3,517	
8 inch	AV-8	8.00	8.50	13.50	11.75	(8) 13/16	9.00 x .275	8.25	7.00	30.375	4 in / ISO 100	55 (25)	75 (34)	\$5,862	
10 inch	AV-10	10.00	10.344	16.00	14.25	(12) 15/16	12.00 x .275	9.16	9.25	35.50	6 in / ISO 160	70 (31.8)	95 (43)	\$7,314	
12 inch	AV-12	12.00	12.00	19.00	17.00	(12) 15/16	14.50 x .275	12.00	8.63	40.00	8 in / ISO 200	95 (43)	130 (59)	\$8,957	
16 inch	AV-16	16.00	16.00	23.50	21.25	(16) 1-1/8	17.50 x .275	14.00	9.25	43.30	8 in / ISO 200	125 (49)	180 (71)	\$14,692	
20 inch	AV-20	20.00	20.00	27.50	25.00	(20) 1-1/8	21.00 x .275	16.00	14.00	58.90	8 in / ISO 200	280 (127)	335 (152)	\$22,015	
24 inch	AV-24	24.00	24.00	32.00	29.50	(20) 1-1/8	21.00 x .275	17.50	17.50	66.00	8 in / ISO 200	270 (122)	330 (150)	\$30,494	
2 inch	Low Profile 2532-2	2.25	2.25	6.00	4.75	(4) 1/16	2.75 x .210	4.06	2.13	12.50	NW-40	7 (3.2)	12 (5.5)	\$2,091	
3 inch		2532-3	3.00	3.00	7.50	6.00	(4) 1/16	4.00 x .210	4.81	2.60	17.10	NW-50	13 (5.9)	18 (8.2)	\$2,511
4 inch		2532-4	4.00	4.00	9.00	7.50	(8) 1/16	5.5 x .275	5.63	3.44	19.50	NW-50	15 (6.8)	24 (11)	\$3,324
6 inch		2532-4	6.00	6.00	11.00	9.50	(8) 13/16	7.5 x .275	7.06	4.63	23.30	NW-50	28 (12.7)	42 (19)	\$3,517

Dimensions shown in inches

Aluminum High Vacuum Poppet Valves, ISO-k Flanges



- Less Outgassing Than Stainless, See Page 40
- 6061 Aluminum
- All Valves (RoHS) 2015/863/EU Compliant
- Optional Operation to 10 Bar, 147 PSIG
- ISO-k Flanges Standard, f Style Optional
- Flanges to Match Diffusion & Cryo Pumps
- Extremely Low Outgassing Rate
- Leak Tested To 5×10^{-10} Std. cc/sec
- Automatic Closure on Power Failure
- Optional Open/Closed Position Indicators
- High Conductance Full Opening Port



ORDERING INFORMATION

Model Number: Refer to page 2 for instructions on how to specify the features you need.

Electronic Position Indicators: Two reed switches activated by a magnet inside pneumatic actuator provide closure for open & closed position. Add 'LSE' to Model No., see page 41 for specifications \$185/pair

Roughing Ports or Gauge Ports: Standard location is 180° from side port as shown in drawing. Other locations and more than one port are available.

Available on Any Size valve

NW-16	\$216
NW 25	\$236
NW-40	\$281
NW 50 (Not on 63, 100	\$289

Available on 6" or Larger Valves

ISO k 63	\$388
ISO k 80	\$505
ISO k 100	\$551

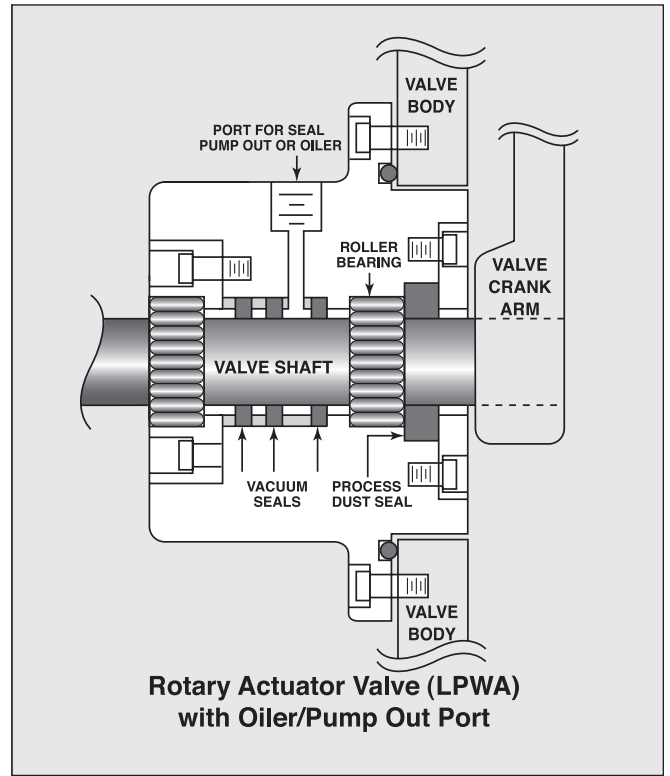
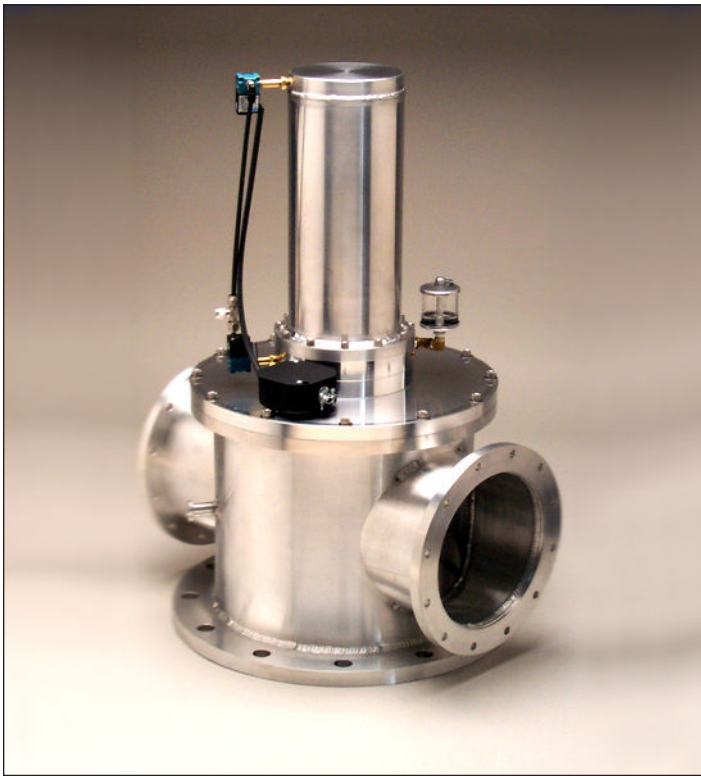
Special Features: Refer to pages 40-43 for information on special features and accessories.

Viton® or Kalrez® or Silicone O-Rings: Our standard Poppet Valves use Buna-N O-Rings. You may specify Viton® (or other materials) throughout the valve with a "V", "S", or "K" in the model number. For Viton® add the following to the price. (For Silicone or Kalrez® contact the factory for prices.)

ISO-63	\$82	ISO-250	\$316
ISO-100	\$125	ISO-320	\$407
ISO-160	\$154	ISO-400	Contact Factory
ISO-200	\$242	ISO-500	Contact Factory

Poppet valves from ISO 250 to ISO 500 are designed to seal with vacuum on the bottom port and atmosphere on the side port. If you need to seal the valve with atmosphere on the bottom port (Pushing the valve open) specify this on your inquiry and a larger cylinder will be provided.

Nominal Size	Molecular Conductance	For Mild Steel Use "AVMS" Basic Valve Style In Model No.	Port Flanges Outside Diam.	Flange to Flange "A" Dimension	Overall Height "B" Dimension	Roughing Port Sizes Available	Aluminum Weight, lbs (kg)		Aluminum Price
							Net	Ship	
ISO 63	160	AV-63 ISO-k	95 mm	88 mm	373 mm	NW-16 to NW-40	13 (5.9)	18 (8.2)	\$2,2002
ISO 100	440	AV-100 ISO-k	130 mm	108 mm	394 mm	NW-16 to NW-40	15 (6.8)	24 (11)	\$2,574
ISO 160	1,000	AV-160 ISO-k	180 mm	138 mm	424 mm	NW-16 to ISO-100	28 (13)	42 (19)	\$2,729
ISO 200	1,920	AV-200 ISO-k	240 mm	184 mm	800 mm	NW-16 to ISO-100	55 (25)	75 (34)	\$3,990
ISO 250	3,000	AV-250 ISO-k	290 mm	235 mm	850 mm	NW-16 to ISO-100	70 (32)	95 (43)	\$5,906
ISO 320	5,060	AV-320 ISO-k	370 mm	276 mm	869 mm	NW-16 to ISO-200	95 (43)	130 (59)	\$7,085
ISO 400	8,550	AV-400 ISO-k	450 mm	337 mm	1067 mm	NW-16 to ISO-320	125 (49)	180 (71)	\$14,692
ISO 500	21,840	AV-500 ISO-k	550 mm	387 mm	1372 mm	NW-16 to ISO-320	280 (130)	335 (152)	\$22,015



Our standard valves will give hundreds of thousands of cycles and years of service in most applications, however there are some industrial vacuum processes that are so dirty that the valves may need special features to provide long life and trouble free operation. Processes such as investment casting, tire reclamation and steel degassing often produce dust and particulate that can lead to frequent valve seal maintenance. Plasma systems may also need special care to protect the valve seals. The high temperature and corrosive nature of the plasma can cause the seals to quickly become dry and brittle and subsequently leak.

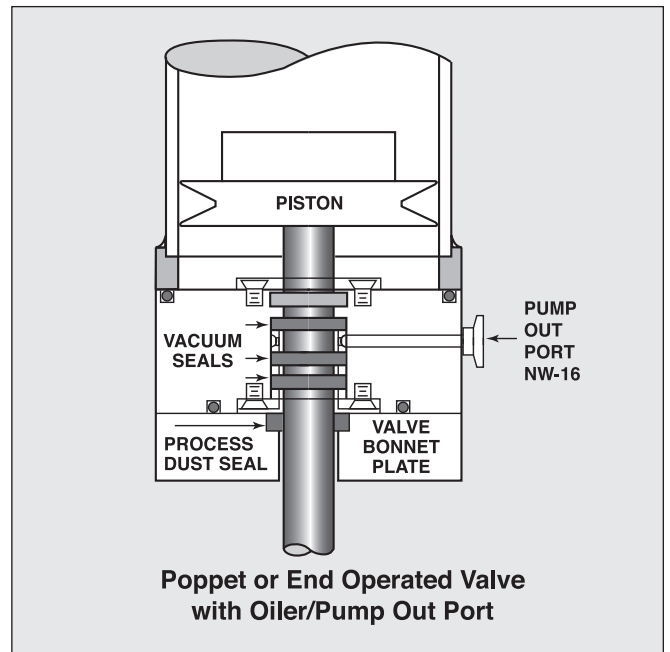
In these situations one of the most popular options is to apply a rough vacuum of approximately 0.1 Torr between the stages of the seal on the valve actuator shaft. Keeping a low pressure differential between seal stages can greatly extend the useful life of the seal.

Other customers prefer to lubricate the shaft and seals with high quality oil from a continuous gravity oiler. In this case the valve hub may be provided with both an inlet and outlet port so that a continuous drip of lubricant can be supplied.

In certain situations high viscosity grease is preferred and an appropriate fitting can be provided.

In all such situations a compliant dust seal is installed around the shaft at the vacuum interface to keep dust and particulate away from the vacuum seals and shaft roller bearings.

These inexpensive features are available on any size of our standard or water cooled gate or poppet valves. We recommend them on any application wherever dust and dirt from your process may contribute to increased maintenance and downtime.



ORDERING INFORMATION

Although these options are not expensive they are always built to match the exact needs of each customer (for example, the pump out port may be pipe thread or 'NW' style flanges of various sizes). Because there are so many variables a firm price quotation will be provided after your discussion with our customer service people.



Throttle valve with ISO-400 flange on one side and 16 inch ANSI flange on the other. An ISO-100 roughing port is located on both sides of the gate.



Aluminum cube with three, 10 inch ANSI flanges (11.7 inch ports) to join a cryo pump to two chambers.



Aluminum cylinder with optional lifting handles and view port connected to cube with a NW-50 port and 3 sight glass view ports. Cylinders and accessories are described on page 29.



Aluminum valve with 24 inch ANSI flanges on both ports and electric pneumatic actuator.

Water Cooled Vacuum Valves, Gate and Poppet Style



- Port Sizes from 2 to 32 Inch, 63 to 800 mm
- ANSI, ISO, JIS, Conflat® or Custom Flanges
- Electric Motor or Electro-Pneumatic Actuator
- Available for DIV. 1, grp. B, C, D, E, F, Environments
- All Aluminum For Maximum Thermal Exchange
- High Efficiency Internal Coolant Channels
- Helium Leak Tight to Better Than 10^{-10} scc/sec
- Vacuum From 10^{-9} Torr To 10 Atmosphere
- Water Cooled Gate and Body Flanges

As a leading supplier of vacuum valves and weldments Vacuum Research can provide either aluminum or stainless steel valves with water cooled gates, bodies or flanges.

We have more than 50 years experience with vacuum valves on systems that include temperature, pressure, hazardous environments and of course, high vacuum.

Water cooled valves in both gate and poppet styles are available with ANSI flanges up to 32 inches and with ISO flanges up to 800 mm. Highly efficient cooling water circuits with low D P and high overall 'u' maximize thermal transfer and minimize cooling water consumption. In addition to water cooling all valve styles can be provided with thermal radiation shields on the gate.

ISO 600 Valve with Water Cooled Gate



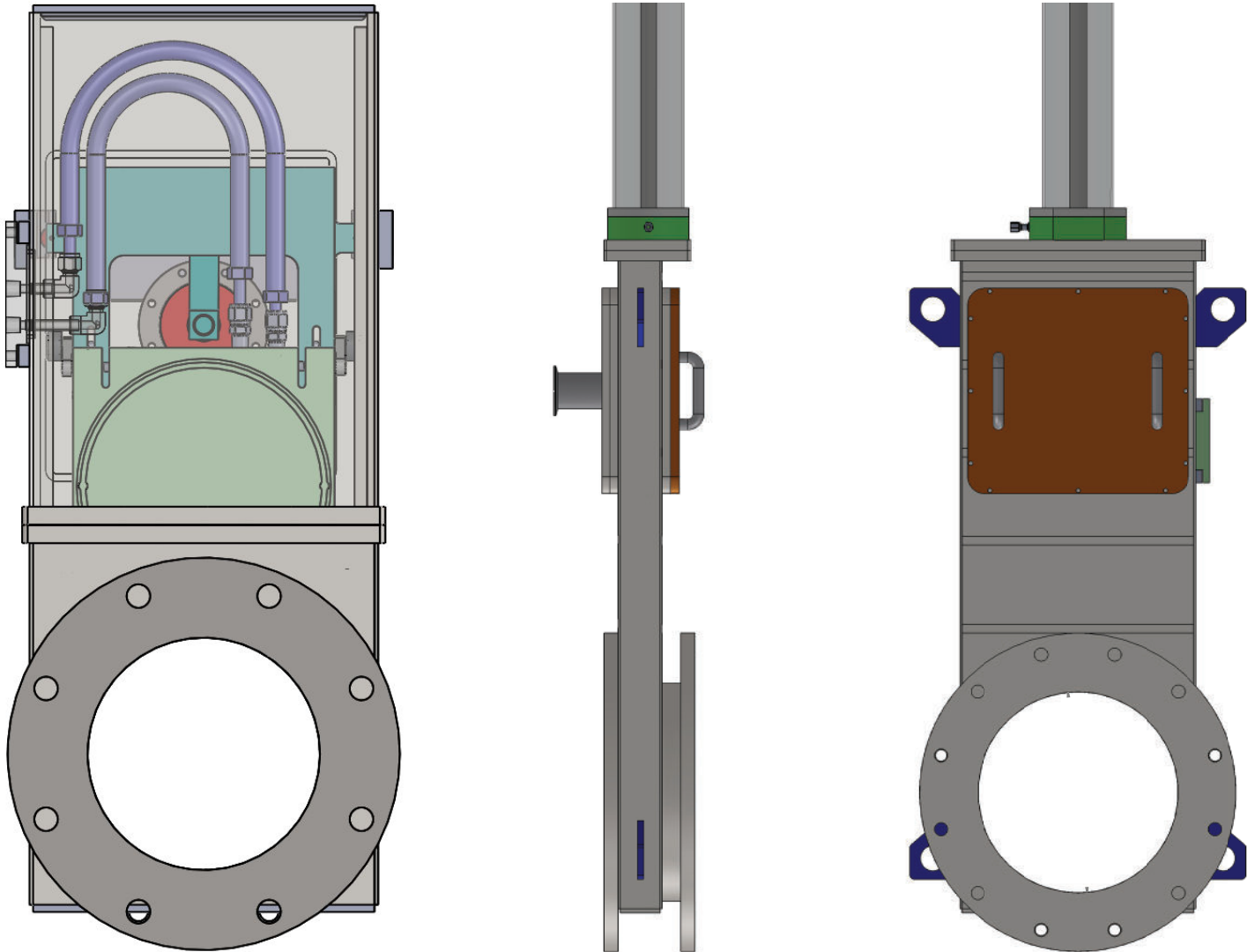
Water Cooled Flanges with Port Shroud



ISO 600 Valve with Water Cooled Gate



Water Cooled Gate and Port Flanges



ORDERING INFORMATION

Water Cooled Valves are always custom-built to provide the features required for each application, however the starting place is our standard LPWA, End-Operated, or Poppet Valves described in this valve catalog and on our web site: www.vacuumresearch.com.

Select the valve style and size that fits your needs and we will send a SolidWorks drawing showing the water cooling and radiation shield needed.

Also available are the many standard options described in the accessories section of this catalog. The most popular of these options are position indicators for remote indication of the valve position, and gauge or roughing ports with NW style flanges. Special solenoids and position indicators for hazardous areas and combinations of ISO, ANSI and Conflat® flanges are also available.



Valve on left is fully open with protective ring in place. Particles are directed through the port instead of into the valve body.

Although Vacuum Research valves are not affected by small amounts of dust and dirt some processes are so dirty that frequent cleaning is required. For such processes our Protective Ring Valve with the Dirt Sump can substantially reduce your costs by increasing the time between cleanouts. The Protective Ring and Dirt Sump are available on valves with port sizes from 2 to 24 inch (50 to 600 mm ISO). Other Vacuum Research options such as Position Indicators and ports for gauges and roughing can also be provided on these valves.

Our protective ring valves are operating in multiple process configurations. We are especially proud of our success in large valve production of the Protective Ring Valves and we'd like the opportunity to meet your requirements. Call or email us with your application design. Our engineering and production teams can work with you to fit our valve to your process. We may already have designed a valve that is close to fitting your system and we can work with you on the details to finish the job.

- Protective Ring Keeps Dirt Out of Valve
- Aluminum or Stainless Steel
- Water Cooled Port Flanges Available
- Radiation Shield for Gate is Optional
- Water Cooled Gate Described on Page 32
- Easy to Clean Dirt Sump Bonnet
- Helium Leak Rate Less Than 5×10^{-10} scc/s
- Port Sizes From 2 to 24 Inch, 50 to 600 mm
- ANSI, ISO, JIS or Special Flanges
- Fail Safe Design, Close on Power Loss

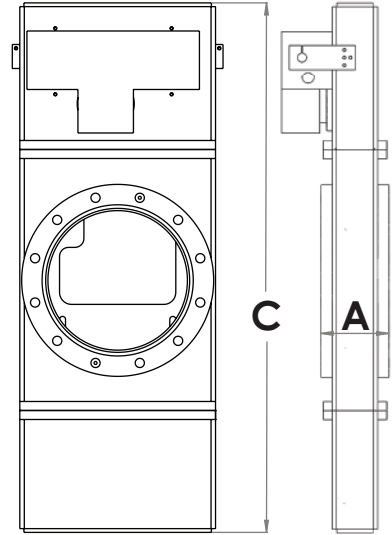
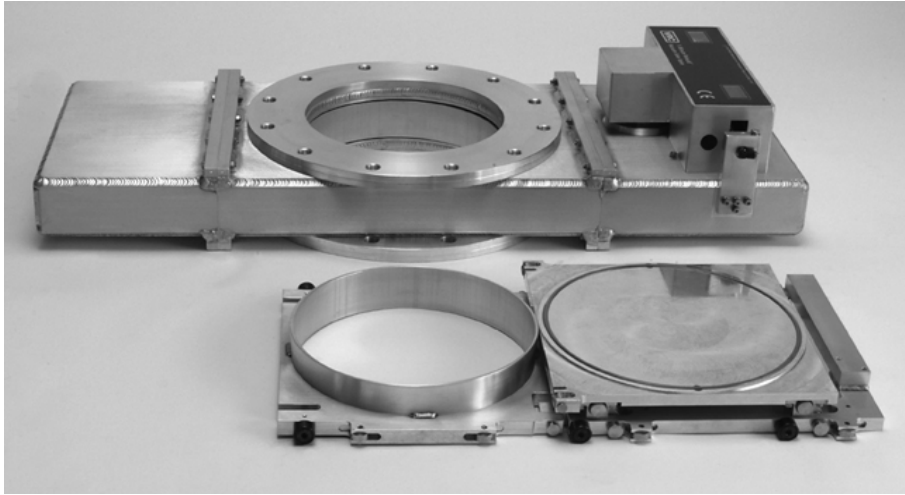


500 mm Powder and Chunk Valve Final Assembly



ISO 600 Powder and Chunk with Water Cooled Gate

Protective Ring Valves for Dirty & Dusty Applications



Fully open valve with protective ring in place. Gate/carriage assembly showing standard protective ring.

ANSI Flanges				ISO f Flanges			Operator Type	A Flange To Flange (in.)	C AOL With Sumo	Body Width (in.)	New Weight lbs. (kg.)	Ship Weight lbs. (kg.)	Price without Water Cooled Gate or Port Flanges	
Nominal Size	Port Diameter	Bolts (no.)-thrds.	Flange O-Rings	Nominal Size	Port Diameter	Bolts (no.)-pitch								
2 inch	2.7 in.	(4) 3/8-11	3.50 x .139	ISO-62	63 mm	(4) M8-1.25	The valves described here use VRC's Rotary Actuator.	4.0	21.0	6.5	20 (9)	30 (13)	\$6,050	
4 inch	6.0 in.	(8) 3/8-11	5.75 x .139	ISO-100	100 mm	(8) M8-1.25		4.1	21.0	6.5	50 (23)	65 (30)	\$7,437	
6 inch	8.0 in.	(8) 3/4-10	7.50 x .139	ISO-160	160 mm	(8) M10-1.5		5.3	30.0	12.0	70 (32)	85 (39)	\$9,731	
8 inch	10.0 in.	(8) 3/4-10	9.0 x .275	ISO-200	200 mm	(12) M10-1.5		5.3	30.0	12.0	74 (34)	89 (40)	\$10,612	
10 inch	12.0 in.	(12) 7/8-9	12.0 x .275	ISO-250	250 mm	(12) M12-1.75		5.5	44.0	14.2	150 (68)	172 (78)	\$12,959	
12 inch	12.0 in.	(12) 7/8-9	13.0 x .275	ISO-320	320 mm	(16) M12-1.5		5.5	46.0	16.3	163 (74)	183 (83)	\$13,780	
16 inch	16.0 in.	(16) 1-8	17.5 x .275	ISO-400	400 mm	(16) M12-1.75		End Operated Actuators with a linear piston are also available.	6.5	55.0	22.0	650 (295)	750 (341)	\$24,890
20 inch	20.0 in.	(20) 1-1/8-7	22.0 x .275	ISO-500	500 mm	(16) M12-1.75			8.1	69.6	25.8	800 (363)	950 (342)	Contact Factory
24 inch	24.0 in.	(20) 1-1/4-7	26.0 x .275	ISO-600	600 mm	(16) M12-1.75			8.5	79.0	30.4	1100 (295)	1400 (635)	Contact Factory

Stainless Steel Gates in Aluminum Valves: To specify a stainless steel gate in an aluminum valve add a suffix to the model number "SS Gate". See "Optional Features Accessories" page in this catalog for pricing information.

Optional Quick Release Bonnet



- 5 Seconds for Complete Disassembly
- No Tools Required for Bonnet Removal
- Leak Tight to 5 X 10⁻¹⁰ STD. CC/Sec.
- 2" to 10" and ISO 63 to ISO 250 Available
- Manual, Pneumatic, or Motor Actuators
- Safe Lever Prevents Accidental Release

In extremely dusty and dirty furnaces and coating systems where frequent cleaning is needed the Quick Release Bonnet will save operator time and reduce labor cost. The double locking safety lever prevents accidental release but still allows removal of the internal mechanism without tools in just a few seconds. Clamps are all stainless steel with vinyl grips.

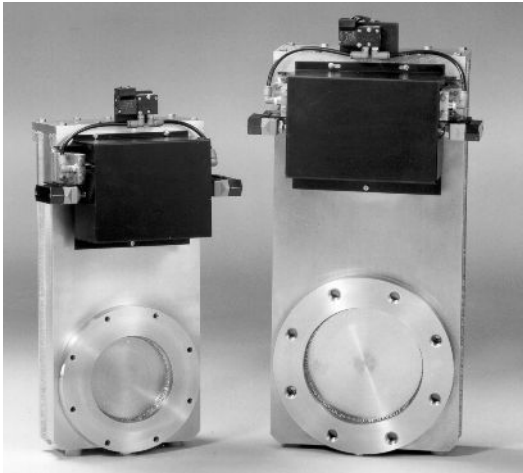
Quick Release Bonnet for Valves with Aluminum Bodies:

Part No. X810927\$1151

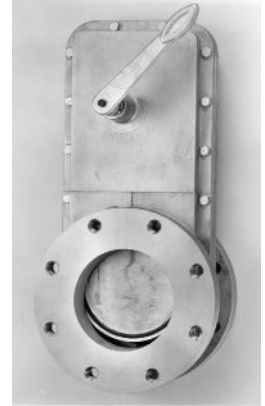
Quick Release Bonnet for Valves with Stainless Steel Bodies:

Part No. X810927SS\$1075

Replacements for VRC 'T' Style Valves



- 250,000 Cycle Rotary Shaft Seal
- Million Cycle Valves Also Available
- All Welded 6061 Aluminum Body
- All Valves (RoHS) 2015/863/EU Compliant
- Low Temperature Bake Out, 200°C
- Uses Standard ISO Centering Rings
- He Leak Less Than 5×10^{-10} scc/sec
- Operate Manually If Air or Power Fail
- Fail Safe Design, Close On Power Loss



Original Cast Aluminum "T" Style Valve with manual Actuator

The old Vacuum Research "T" Valves were in production from approximately 1955 to 1980, and many are still in service. These valves were available with "T1" and "T2" flanges, and various combinations of "T1" and "T2" with necks on either or both sides.

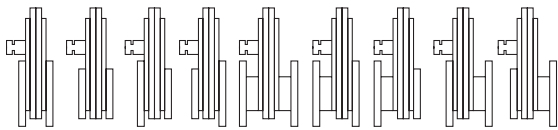
- T1 flanges are 150 lb. ANSI with standard ports; not "large ports." That is, the 2" flange had a 2" port diameter, etc.
- T2 flanges also had standard port sizes, i.e. 2" port in 2" flange, but the T2 flanges had a smaller outside diameter, smaller bolts, smaller bolt circle, and smaller diameter flange O-rings. T2 flanges were offered in sizes from 1 inch to 6 inch.

Although out of production for 30 years and no longer supported with spare parts, we can, however, provide direct replacement valves with identical bolt circle, O-ring and flange 'A' dimension.

Other dimensions such as overall height and actuator size may be different, so please review the drawing carefully to make sure there are no interferences.

Some T1 and T2 valves were built with plain and special flanges, so you must be certain of which flanges need O-rings, the bolt size and bolt circle. For electro-pneumatic valves, be sure to verify the solenoid voltage. Since these replacement valves will be custom made to your order, they may not be returned for credit for any reason. Of course, they have our usual warranty and will be repaired for no charge if defective in any way.

ORDERING INFORMATION



T1 T2 T3 T4 N5 TN6 TN7 TN8 TN9

Viton® or Kalrez® or Silicone O-Rings:

Our standard Valves use a Viton® O-Ring for the gate seal and Buna-N O-Rings for all other locations. You may specify Viton® (or other materials) throughout the valve with a "V", "S", or "K" in the model number. For Viton® add the following to the price. (For Silicone or Kalrez® contact the factory for prices.)

2 & 3 in. valves.....\$79	8 in. valves.....\$234
4 in. valves.....\$120	10 in. valves..... \$305
6 in. valves.....\$147	12 in. valves.....\$391

Roughing And Gauge Ports

NW-16 to NW-50 ports can be added to the valve body in a variety of locations to provide easy connections for gauge tubes or roughing lines. Refer to the Roughing and Gauge ports page in the Accessories and Parts section of this catalog for details and prices.

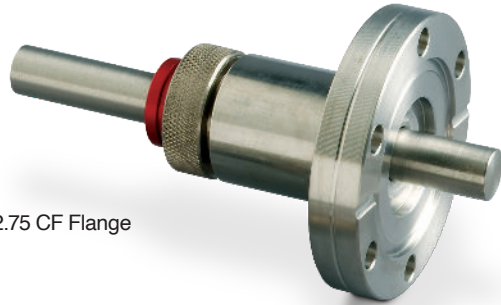
Position Indicators

Remote indication of valve position is provided by these SPST and SPDT limit switches. Refer to the Optional Features pages in the Accessories and Parts section of this catalog for details and prices.

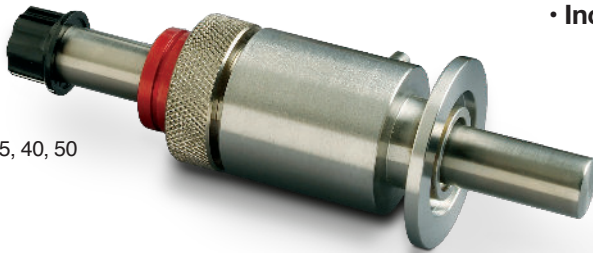
Port Flange O-Rings and Bolt Circle

The standard configuration for replacement 'T' Style valves is O-Rings on both flanges and the bolt circle straddling the vertical centerline. No charge for other configurations.

Port Diam.	With Electro-Pneumatic Operator "EP" Suffix		With Manual Operator "EP" Suffix	
	Model No.	Price	Model No.	Price
2 inch	OP-2N-N1-T1-EP	\$2,379	OP-2N-N1-T1-M	\$2,101
	OP-2N-N1-T2-EP	\$2,657	OP-2N-N1-T2-M	\$2,377
	OP-2N-N5-T1-EP	\$2,669	OP-2N-N5-T1-M	\$2,389
3 inch	LPWA-3-N1-T1-EP	\$2,732	LPWA-3-N1-T1-M	\$2,454
	LPWA-3-N1-T2-EP	\$3,011	LPWA-3-N1-T2-M	\$2,731
	LPWA-N5-T1-EP	\$2,986	LPWA-N5-T1-M	\$2,705
4 inch	LPWA-4-N1-T1-EP	\$2,919	LPWA-4-N1-T1-M	\$2,567
	LPWA-4-N1-T2-EP	\$3,146	LPWA-4-N1-T2-M	\$2,844
	LPWA-4-N5-T2-EP	\$3,326	LPWA-4-N5-T2-M	\$2,824
6 inch	LPWA-6-N1-T1-EP	\$3,364	LPWA-6-N1-T1-M	\$2,682
	LPWA-6-N1-T2-EP	\$3,641	LPWA-6-N1-T2-M	\$3,234
	LPWA-6-N5-T2-EP	\$3,854	LPWA-6-N5-T2-M	\$3,444
8 inch	LPWA-8-N1-T1-EP	\$5,485	LPWA-8-N1-T1-M	\$5,075
	LPWA-8-N5-T2-EP	\$5,912	LPWA-8-N5-T2-M	\$5,504
10 inch	LPWA-10-N1-T1-EP	\$6,741	LPWA-10-N1-T1-N	\$6,254
	LPWA-10-N5-T2-EP	\$7,277	LPWA-10-N5-T2-N	\$6,787
12 inch	LPWA-12-N1-T1-EP	\$8,749	LPWA-12-N1-T1-M	\$7,882
	LPWA-12-N5-T2-EP	\$8,889v	LPWA-12-N5-T2-M	\$8,399



2.75 CF Flange



NW-16, 25, 40, 50



For 1" Base Plate Hole



Pipe Thread

- Rotary and Push/Pull in the Same Feedthrough
- High Torque. Use Either Solid or Hollow Shafts
- High Speeds. Tested at 1100 RPM, 24/7 for 90 Days
- Leak Rate Better Than 5×10^{-10} Standard cc/sec
- All Feedthroughs (RoHS) 2015/863/EU Compliant
- 300 Series Stainless Steel or Nickel Plated Brass
- Easy to Replace Viton®, Buna-N, or Kalrez® Seals
- Conflat®, NW or Pipe Thread Connection to System
- Available in Four Shaft Diameters: 1/4", 3/8", 1/2", 5/8"
- Includes Frelon® Bushing on Atmosphere Side

Test Results

These very rugged and reliable seals have been in production for 50 years and have been tested extensively.

- **800,000 Reciprocal Motions**

Leak rate less than 5×10^{-10} scc/sec after 800,000 reciprocal motions of 1 inch.

- **90 Days at 1,100 RPM**

Feedthrough operated at 1100 RPM for 90 days, 24/7. Leak rate was also less than 5×10^{-10} scc/sec.

- **15 Years on Test Chamber**

Feedthrough on a chamber testing ion thrusters was left under vacuum and unmoved for 15 years.

Feedthrough still did not leak when finally used.

Shaft finish and hardness should be 4 to 12 RMS with a minimum surface hardness of RC 50 for best results. Softer shafting can be used, but both bearing and shafting may wear at accelerated rates. For any given RMS value radiused or polished peaks will provide best rate of wear so electropolished shafts give best results.

Lubrication with a vacuum grease or oil can reduce friction and improve the seal life. Silicone and fluoro-carbon lubricants are not recommended as these lubricant types can inhibit heat flow, increase the seal temperature, and shorten seal life. You may want to consider the products of TorrLube: www.torrilube.com

Connection to System	Description	Price with Viton® Seals (For Kalrez® add the cost of a pair of Kalrez seals)	Description	Price with Viton® Seals (For Kalrez® add the cost of a pair of Kalrez seals)	Description	Price with Viton® Seals (For Kalrez® add the cost of a pair of Kalrez seals)	Price with Viton® Seals (For Kalrez® add the cost of a pair of Kalrez seals)
Optimum Shaft Specification	1/4 inch* .2495, (-.0000, +.0005)	1/4"	3/8 inch* .3745 (-.0000, +.0005)	3/8"	1/2 inch* .4995 (-.0000, +.0005) 5/8 inch* .6245 (-.0000, +.0005)	1/2"	5/8"
2.75" Conflat®	Model No. 2.75-B01-SS 300 Series Stainless Steel	\$655	Model No. 2.75-B02-SS 300 Series Stainless Steel	\$699	Model No. 2.75-B03-SS 300 Series Stainless Steel	\$734	\$759
NW-16	Model No. 16-B01-SS 300 Series Stainless Steel	\$647	Model No. 16-B02-SS 300 Series Stainless Steel	\$706	Model No. 16-B03-SS 300 Series Stainless Steel	\$706	\$731
NW-25	Model No. 25-B01-SS 300 Series Stainless Steel	\$706	Model No. 25-B02-SS 300 Series Stainless Steel	\$706	Model No. 25-B03-SS 300 Series Stainless Steel	\$706	\$731
NW-40	Model No. 40-B01-SS 300 Series Stainless Steel	\$776	Model No. 40-B02-SS 300 Series Stainless Steel	\$775	Model No. 40-B03-SS 300 Series Stainless Steel	\$771	\$809
NW-50	Model No. 50-B01-SS 300 Series Stainless Steel	\$845	Model No. 50-B02-SS 300 Series Stainless Steel	\$836	Model No. 50-B03-SS 300 Series Stainless Steel	\$884	\$885
Pipe Thread	Model No. P-B01-NB Nickle Plated Brass	\$337	Model No. P-B02-NB Nickle Plated Brass	\$364	Model No. P-B03-NB Nickle Plated Brass	\$380	\$475
	Model No. P-B01-SS 300 Series Stainless Steel	\$706	Model No. P-B02-SS 300 Series Stainless Steel	\$734	Model No. P-B03-SS 300 Series Stainless Steel	\$777	\$749
For 1" Baseplate Through Hole	Model No. 1in-B01-SS, 1/4 in. Shaft Dia.	\$1,052	Model No. 1in-B02-SS 3/8 in. Shaft Dia.	\$1,077	Model No. 1in-B03-SS 1/2 in. Shaft Dia.	\$1,146	
					Model No. 1in-B0-SS 5/8 in. Shaft Dia.	\$1,146	
Replacement Seal Washers (2 required)	Bruna-N, P/N X701101-B	\$8/pair	Bruna-N, P/N X701102-B	\$8/pair	Bruna-N, P/N X701103-B	\$14/pair	
	Viton®, P/N X701101-V	\$14/pair	Viton®, P/N X701102-V	\$14/pair	Viton®, P/N X701103-V	\$23/pair	
	Kalrez®, P/N X701101-K	\$94/pair	Kalrez®, P/N X701102-K	\$140/pair	Kalrez®, P/N X701103-K	\$229/pair	

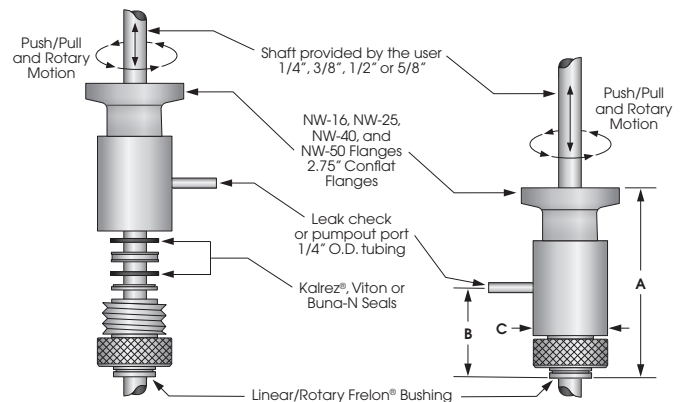
***Shaft Diameter:** Shaft is not included. Best performance will result when your shaft diameter is held to these diameters, but smaller diameters are acceptable. See below for optional shaft material.

Shaft Diameter	NW-16			NW-25			NW-50			PIPE THREAD		
	A	B	C	A	B	C	A	B	C	A	B	C
1/4" shaft	2.35	1.00	1.00	2.26	.09	1.00	2.26	.09	1.0	1/4" NPT		
										2.73	1.39	1.00 Across Flats
3/8" shaft	2.35	1.00	1.13	2.35	1.00	1.13	2.80	1.50	1.13	3/8" NPT		
										2.75	1.38	1.125 Across Flats
1/2" & 5/8" shaft	2.38	1.00	1.25	2.38	1.00	1.25	2.50	1.13	1.25	1/2" NPT		
										2.76	1.38	1.25 Across Flats

Optional Precision Shaft Material*

Size	Part Number	Price
1/4" O.D. X 18" (457mm) long	P/N: SHFT-.25-18-316	\$55 ea
3/8" O.D. X 18" (457mm) long	P/N: SHFT-.37-18-316	\$114 ea
1/2" O.D. X 18" (457mm) long	P/N: SHFT-.50-18-316	\$133 ea

*The shaft is not included with the feedthrough. Most customers provide their own shaft but we offer this material as a convenience.



GATE VALVES				
ANSI Flange Size	Port Diameter	Molecular Conductance liter/sec.	Cylinder Capacity Liters	Approx Close/Open Times @ 70 PSI
2 inch	2.25 Inch	192	0.207	1.5/1.5 sec.
3 inch	3.37 Inch	567	0.408	1.5/1.5 sec.
4 inch	5.37 Inch	1,219	0.408	2/2 sec.
6 inch	7.12 Inch	3,887	0.985	2/2 sec.
8 inch	8 Inch	9,213	1.223	3/2 sec.
10 inch	10 Inch	17,014	1.704	3/2 sec.
12 inch	12 Inch	29,400	3.063	4/4 sec.
16 inch	16 Inch	49,600	3.887	5/5 sec.
20 inch	20 Inch	79,970	10.207	7/8 sec.
24 inch	24 Inch	128,010	14.95	11/12 sec.
ANSI Flange Size	Port Diameter	Molecular Conductance liter/sec.	Cylinder Capacity Liters	Approx Close/Open Times @ 70 PSI
ISO 63	63 mm	192	0.207	1.5/1.5 sec.
ISO 100	100 mm	1,219	0.408	1.5/1.5 sec.
ISO 160	160 mm	3,887	0.985	2/2 sec.
ISO 200	200 mm	9,213	1.223	2/2 sec.
ISO 250	250 mm	17,014	1.704	3/2 sec.
ISO 320	320 mm	29,400	3.063	3/2 sec.
ISO 400	400 mm	49,600	3.90	4/4 sec.
ISO 500	500 mm	79,970	10.20	5/5 sec.
ISO 630	630 mm	128,010	14.95	7/8 sec.
				1 1/12

ANGLE VALVES				
ANSI Flange Size	Port Diameter	Molecular Conductance liter/sec.	Cylinder Capacity Liters	Approx Close/Open Times @ 70 PSI
2 inch	2 Inch	113	0.285	<1/<1 sec.
3 inch	3 Inch	295	0.348	<1/<1 sec.
4 inch	4 Inch	440	0.782	1/1 sec.
6 inch	6 Inch	1,000	1.020	2/2 sec.
8 inch	8 Inch	1,920	4.598	2/2 sec.
10 inch	10 Inch	3,000	6.697	2/2 sec.
12 inch	12 Inch	5,065	6.985	3/2 sec.
16 inch	16 Inch	8,550	8.622	4/3 sec.
20 inch	20 Inch	13,567	9.5	5/6 sec.
24 inch	24 Inch	21,847	9.5	7/8 sec.
ANSI Flange Size	Port Diameter	Molecular Conductance liter/sec.	Cylinder Capacity Liters	Approx Close/Open Times @ 70 PSI
ISO 63	63 mm	160	0.285	<1/<1 sec.
ISO 100	100 mm	440	0.782	1/1 sec.
ISO 160	160 mm	1,000	1.020	2/2 sec.
ISO 200	200 mm	1,920	4.598	2/2 sec.
ISO 250	250 mm	3,000	6.697	2/2 sec.
ISO 320	320 mm	5,065	6.985	3/2 sec.
ISO 400	400 mm	8,550	8.622	4/4 sec.
ISO 500	500 mm	13,560	9.5	5/6 sec.
ISO 630	630 mm	21,847	12.5	8/9 sec.

Outgassing Rates for Aluminum and Stainless Steel

Dozens of papers show the 6000 Series aluminum used in VRC valves outgasses up to 2 orders of magnitude less than 300 Series stainless steel and of course no hydrogen. A bibliography of 70 peer reviewed papers about outgassing compiled by Dr. M. Wong at Fermi Labs can be found at http://home.fnal.gov/~mlwong/outgas_rev.htm.

6063 Aluminum soaked in water 24 hrs., baked 24 hrs. at 150-180°C
 SUS 304 Stainless Steel, soaked in water 24 hrs., baked 24 hrs. at 150-180°C
J. Vac. Sci. Technology, A5 (2) Mar/Apr 1987
 A Comparison of 6063 Aluminum and SUS 304, J. R. Chen, Y.C.L. IV

Torr l/sec cm²
 1.5 X 10⁻¹³
 ≈ 7 X 10⁻¹³

Aluminum baked 20 hours at 100°C
 304 Stainless Steel, electro polished, 30 hours at 250°C
Vacuum Technology, CERN Accelerator
 Scanticon Conference Centre, Snekersten, Denmark, 28 May-3 June 1999:
 Proceedings, editors [sic], S. Turner ISBN 10 9290831499

mbar l/sec cm²
 5 X 10⁻¹⁴
 4 X 10⁻¹²

Aluminum baked 20 hours at 100°C
 304 Stainless Steel, electro polished, 30 hours at 250°C
Vacuum Science & Technology
 CERN CAS Accelerator, Platja D'Aro, Spain, May 16-24, 2006; H.F. Dylla,
 Thomas Jefferson National Accelerator Facility, Newport News, VA

mbar l/sec cm²
 5 X 10⁻¹⁴
 4 X 10⁻¹²

Aluminum, detergent cleaned-acetone rinse, baked 15 hours at 250°C 304 Stainless Steel,
 glass beaded, 30 hours at 250°C
Vacuum Technology - Practice for Scientific Instruments
 Nagamitsu Yoshimura; 2008 Springer-Verlag Berlin Heidelberg; ISBN 978-3-540-74432-0

mbar l/sec cm²
 4 X 10⁻¹³
 2 X 10⁻¹²

Aluminum, 5 hours after 24 hours at 150°C - 250°C
 304 Stainless Steel, 5 hours after 24 hours at 150°C - 250°C
Vacuum System
 CAS, Small Accelerator course, Zeegse, Netherlands, 24 May - 2 June, 2005;
 Oswald Grobner, retired, CERN Vacuum Group

mbar l/sec cm²
 1 X 10⁻⁹
 ≈ 1.5 X 10⁻⁸

Kits to Convert Manual Valves to Electro-Pneumatic Operators for LPWA or OP Valves					
LPWA ISO 63	X810355	\$605	OP 2" or 3"	X810355	\$605
LPWA ISO 100	X810089	\$668	OP 4"	X810355	\$760
LPWA ANSI 2", 3"	X810022	\$702	OP 6" or 8"	X810355	\$760
LPWA ANSI 4"	X810061	\$760			
LPWA ANSI 6" or 8"	X810304	\$760			
LPWA ANSI 10" or 12"	X810529	\$1,097			

Double Solenoid: in place of standard, P/N: X702942 \$321

Explosion-Proof Solenoids:

Class I, Div. 1, Groups A,B,C,D; Class II, Div. 2, Groups E,F, & G

24 VDC, P/N: X134020\$473

120V, 50/60 Hz, P/N: X134022.....\$473

220V, 50/60 Hz, P/N: X134023\$473

Lock Out / Tag Out:

Hasps for lockout are available for manual valves and LPWA style valves add \$296

Non-magnetic Valves:

The standard VRC valve is constructed of aluminum with non-magnetic stainless steel fasteners. There are, however, a few steel components that can be replaced with stainless steel at extra cost if completely non-magnetic valves are needed. (The Solenoid Valve is always magnetic, but can be located remotely.)

2 to 8 inch valves (63 mm to 200 mm).....\$272

10 and 12 inch valves (250 mm and 320 mm).....\$373

OSHA Style EP Covers for VRC LPWA & OP Gate Valves		
Completely enclosed OSHA style covers with CE mark. This cover style is now standard on LPWA and OP gate valves with electro-pneumatic operators, but it may also be retrofitted to valves in the field. (Prices for LPWA and OP valves shown in this catalog include the OSHA style cover.)		
Valve Size	Cover P/N	OSHA Style EP Cover with CE mark
2 & 3 inch ANSI	X02WA152	\$131
63, 80, 100 mm ISO 65, 80, 100 mm JIS	X703042	\$131
4 inch ANSI 160 mm ISO 150 mm JIS	X04WA152	\$167
6 & 8 inch ANSI 200 mm ISO 200 MM JIS	X06WA152	\$196
10 & 12 inch ANSI 250, 320 mm ISO 250, 300 mm JIS	X010WA152	\$233

Position Indicators (Limit Switches)

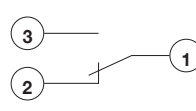
Electrical position indicators (Limit Switches) are available on all Valves to provide remote indication of valve position. Position indicators are available for air operated or manually operated valves. Several styles are offered, all are RoHS compliant.

For LPWA, Rotary Actuator Valves

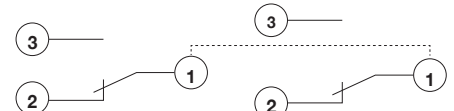
LSS or LSD - Fully Enclosed switches with 1/2-14 NPT conduit connection for unprotected industrial applications where physical protection of the wiring is required.

LSS - Fully Enclosed Limit Switches, SPDT. Contact rating is 15 A@115 or 230 VAC, 0.5 A@115 VDC. Kit - 24 VDC, P/N: X134020\$231/pair

LSD - Fully Enclosed Limit Switches, DPDT. Contact rating is 10 A @ 125 or 250 VAC, 0.3 A@125 VDC, 0.15A@250 VDC. Kit - P/N: X706900.....\$637/pair



Wiring Schematic for LSS, LSX, LSO, Form C



Wiring Schematic for LSD Form C

Explosion Proof

LSX-C - Explosion Proof SPDT switches Class I, Division 1, Group C or D, and Class II, Division 1, Groups E,F,G (NEMA 7 & 9), Kit P/N: X706904..... \$1,507/pair

LSX-B - Explosion Proof SPDT same as LSX-C but for Group B(H2), Kit P/N: X706909\$1843/pair

Splash Proof

NEMA 1, 3, 4 and IP-66 enclosures Contact Factory

GMR - Gate Magnet Style

Magnets on the gate activate reed switches mounted in IP-65 enclosures on the outside of the valve body. Schematic and contact rating same as for LSE shown below. P/N: X706014.....\$580/pair

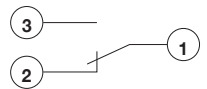
LSO - Open Style

switches are often used when the valve is inside a cabinet or is otherwise protected. Open Style Limit Switches SPDT. Contacts: non-inductive 15A, 125-277 VAC; 5A, 125-250 VDC. Inductive 5A, 125 VAC; 0.2A, 250 VDC. Kit P/N: X706907\$140/pair



For Motor and Throttle Valves

2 SPDT relays for open and closed position indication for throttle and motor actuated valves. Unpowered (form C) contacts rated for 3 A up to 220 V, non-inductive. Screw terminals for NO, C, NC wiring. Enclosure is 3" X 3" X 1.5" high with tabs for surface mounting. 6 ft. power cord, 6 ft. pigtail for connection to valve and LED indicators are included. P/N: X801410 (specify 115 or 220 V) \$429/ea



Wiring Schematic for LSO, Form C

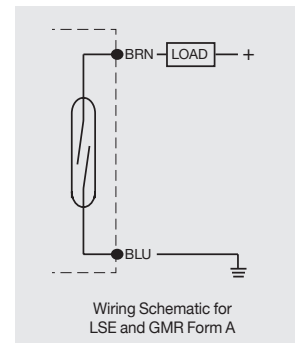
For End Operated & Angle Style Valves

LSE - Electronic Position Indicators for Bellows Sealed, End Operated, Poppet and Rectangular Port Valves. Two reed switches activated by a magnet inside the pneumatic actuator provide contact closure for open and closed position.

LSE Model Specifications:

- Contacts: SPST Form A (Normally Open)
- Contact Rating: 50 W maximum
- Voltage Rating: 200 VDC max., 141 VAC max.
- Switching Current: 1A maximum
- Initial Contact Resistance: 1 ohm max.
- Minimum Breakdown Voltage: 225 VDC, 275 VAC
- Temp Range: -40°F to 200°F (-40°C to 93°C)

Contact factory for P/N for your particular valve\$231/pair
Reverse Carriage (add to price)\$282



Wiring Schematic for LSE and GMR Form A

Plain, Blank Or Special Flanges: Valves may be specified with Plain or Blank flanges. Plain means without O-ring groove but with bolt holes. Blank means neither O-ring grooves nor bolt holes. Standard valves have O-rings and bolt holes on both sides. Special bolt circles and seal surfaces are also available but if non-standard flanges are required, be sure to specify "seal side" or "open side".....no extra charge

JIS - ANSI - ISO - Conflat® Flange Combination: Valves are often used as an adapter to mate components of different flange styles. For example, valves can be provided with an ISO flange on one port and a Conflat®, or special flange on the other. Any combination can be provided to mate with your pumps, traps, or chamberno extra charge

Reducer Valves: Similar to adapting different flange styles as described above, valves can also be provided with port flanges of different sizes. Virtually any mix of port flange sizes or styles are available; for example, you may order a valve with a 6 inch flange on one side and an 8 inch on the other no extra charge

Stainless Steel Gates in Aluminum Valves: To substitute a stainless steel gate on an aluminum valve add the suffix "SS Gate" to the model No. and increase the price as shown below.

- LP 2 inch, LP 3 inch & NW-50 & ISO-100..... \$412
- LP 4 inch & ISO-160\$802
- LP 6 inch & ISO-200\$1,222
- LP 8 inch & ISO-250\$1,596
- LP 10 inch & ISO-320 \$1,972

Reverse Carriage: On standard VRC Bonnet Style valve sizes 2 to 8 inch (63 to 200 mm) the actuator is on the seal side. It is possible to build these valves with the actuator on the open side. Add to the model no. "REV. CARR." and add \$213. to the price.

Viton®, Kalrez® or Silicone O-Rings Our standard Valves use a Viton® O-Ring for the gate seal and Buna-N O-Rings for all other locations. For special or higher temperature applications you may specify Viton® (or other materials) throughout the valve with a "V", "S", or "K" in the model number. Viton® prices are listed on valve pages in the catalog. (For Silicone or Kalrez® contact the factory for prices.)

Port Flange O-Rings The standard and most commonly ordered configuration is with O-Rings on both port flanges. As shown on page 2, this is specified in the model no. as "20". There is no extra cost however for valves with O-Rings on one or neither flange. Please be sure to specify "open" or "seal" side if only one O-Ring is requiredno extra charge

Port Flange Spacer Washers: Aluminum flat washers, .090 thick to insert between two flanges that both have O-Rings. O.D. will fit inside of bolts on ANSI Flanges.

ANSI Size	Outside Diam	Bore	Part No.	Price
2 in ANSI	3.8 in O.D.	3.3 in Bore	X708403	\$32.00 ea
3 in ANSI	5.3 in O.D.	3.9 in Bore	X708404	\$450.00 ea
4 in ANSI	6.8 in O.D.	5.5 in Bore	X708405	\$47.00 ea
6 in ANSI	8.7 in O.D.	7.3 in Bore	X708406	\$54.00 ea
8 in ANSI	10.9 in O.D.	8.8 in Bore	X708407	\$61.00 ea
10 in ANSI	13.3 in O.D.	11.8 in Bore	X708408	\$70.00 ea

ISO Centering Rings and Claw Clamps

Aluminum Centering Ring with O-Ring				
ISO Flange Size	Part No.	List Price	Part No.	List Price
ISO 63	063-ALBU	\$15.00	063-ALVI	\$25.00
ISO 80	080-ALBU	\$20.00	080-ALVI	\$29.00
ISO 100	100-ALBU	\$23.00	100-ALVI	\$32.00
ISO 160	160-ALBU	\$44.00	160-ALVI	\$62.00
ISO 200	200-ALBU	\$88.00	200-ALVI	\$118.00
ISO 250	250-ALBU	\$109.00	250-ALVI	\$146.00
ISO 320	320-ALBU	\$143.00	320-ALVI	\$204.00
ISO 400	400-ALBU	\$295.00	400-ALVI	\$364.00
ISO 500	500-ALBU	\$364.00	500-ALVI	\$511.00
ISO 630	630-ALBU	Contact Factory	630-ALVI	Contact Factory

Replacement O-Ring Only				
ISO Flange Size	Buna-N O-Ring		Viton O-Ring	
	Part No.	List Price	Part No.	List Price
ISO 63	063-OBU	\$3.00	063-OVI	\$8.00
ISO 80	080-OBU	\$3.00	080-OVI	\$9.00
ISO 100	100-OBU	\$3.00	100-OVI	\$12.00
ISO 160	160-OBU	\$4.00	160-OVI	\$24.00
ISO 200	200-OBU	\$5.00	200-OVI	\$28.00
ISO 250	250-OBU	\$6.00	250-OVI	\$31.00
ISO 320	320-OBU	\$8.00	320-OVI	\$50.00
ISO 400	400-OBU	\$14.00	400-OVI	\$56.00
ISO 500	500-OBU	\$20.00	500-OVI	\$71.00
ISO 630	630-OBU	Contact Factory	630-OVI	Contact Factory

Aluminum Single Claw Clamps
With Stainless Steel Bolt and Washer for Joining k to f Flanges

ISO Flange Size (Quantity Needed)	A (THD)	B (mm)	C (mm)	Part No.	Price Each
ISO 63 (4)	M8	35	24	100-SGLAL	\$5.00
ISO 83 (8)					
ISO 100 (8)					
ISO 160 (8)	M10	35	24	250-SGLAL	\$7.00
ISO 200 (12)					
ISO 250 (12)					
ISO 320 (12)	M12	50	30	630-SGLAL	\$7.00
ISO 400 (16)					
ISO 500 (16)					
ISO 630 (20)					

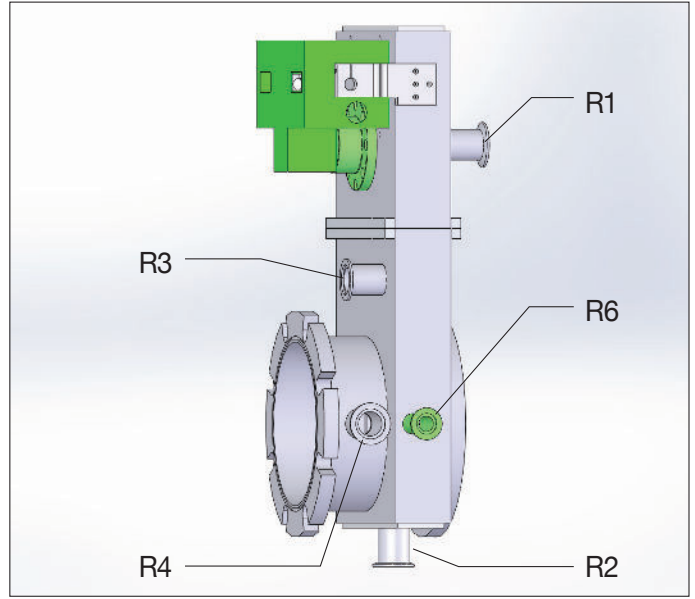
Aluminum Double Claw Clamps
With Stainless Steel Bolt and Washer for Joining Two k Flanges

ISO Flange Size (Quantity Needed)	A (THD)	B (mm)	Part No.	Price Each
ISO 63 (4)	M8	35	100-DBLAL	\$5.00
ISO 83 (4)				
ISO 100 (4)				
ISO 160 (4)	M10	35	250-DBLAL	\$7.00
ISO 200 (6)				
ISO 250 (6)				
ISO 320 (8)	M12	50	630-DBLAL	\$7.00
ISO 400 (8)				
ISO 500 (12)				
ISO 630 (16)				

All Vacuum Research Valves can be supplied with one or several extra ports in a variety of locations, sizes and styles. The most common use is for the connection of roughing pumps and gauge tubes, but these ports can also be used for vent, backfill and purge gas connections.

NW Flanges

This is the least expensive style and is usually the easiest for the user because connection requires no tools. The NW port is welded to the valve in the location you select. Centering ring, clamp, and blank-off flange not included. The table below lists the 'NW' sizes available in each location. NW Clamps and Centering Rings are shown at the bottom of the page.



Location R-4

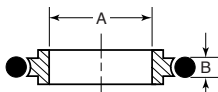
NW-16.....	\$231
NW-25.....	\$253
NW-40.....	\$290
NW-50.....	\$309

Locations R-1, R-2, R-3, R-6, R-7 & R-9

NW-16.....	\$194
NW-25.....	\$212
NW-40.....	\$251
NW-50.....	\$271

Gauge & Roughing Port Locations

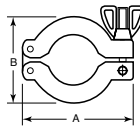
Nominal Valve Size	R-1	R-2	R-3	R-4 available only on valves with N5 or N6 necks	R-6 & R-8	R-7
2 inch and 63mm	NW-16 Nw-40 NW-25 NW-50	NW-16 Nw-40 NW-25	NW-16 NW-25	NW-16 NW-25	NW-16 NW-25	NW-16 Nw-40 NW-25 NW-50
3 inch and 80 mm	NW-16 Nw-40 NW-25 NW-50	NW-16 Nw-40 NW-25	not available	NW-16 NW-25	NW-16 NW-25	NW-16 Nw-40 NW-25 NW-50
4 inch and 100 mm	NW-16 Nw-40 NW-25 NW-50	NW-16 Nw-40 NW-25	NW-16 Nw-40 NW-25 NW-50	NW-16 NW-25	NW-16 NW-25	NW-16 Nw-40 NW-25 NW-50
6 inch and 160 mm	NW-16 Nw-40 NW-25 NW-50	NW-16 Nw-40 NW-25	NW-16 Nw-40 NW-25 NW-50	NW-16 NW-25	NW-16 NW-25	NW-16 Nw-40 NW-25 NW-50
8 inch and 200mm	NW-16 Nw-40 NW-25 NW-50	NW-16 Nw-40 NW-25	not available	NW-16 NW-25	NW-16 NW-25	NW-16 Nw-40 NW-25 NW-50
10 inch and 250 mm	NW-16 Nw-40 NW-25 NW-50	NW-16 Nw-40 NW-25 NW-50	NW-16 Nw-40 NW-25 NW-50	NW-16 NW-25	NW-16 NW-25	NW-16 Nw-40 NW-25 NW-50
12 inch and 320 mm	NW-16 Nw-40 NW-25 NW-50	NW-16 Nw-40 NW-25 NW-50	not available	NW-16 NW-25	NW-16 NW-25	NW-16 Nw-40 NW-25 NW-50



Centering Rings

304 Stainless Steel With Viton O-Rings
(Buna-N O-Rings Available)

Flange Size	A	B	Part No	Price
NW-16	0.63 (16)	0.21 (5.3)	CTR-RING 16	\$8.00
NW-25	0.984 (25)	0.21 (5.3)	CTR-RING 25	\$9.00
NW-40	1.575 (40)	0.21 (5.3)	CTR-RING 40	\$13.00
NW-50	1.969 (50)	0.21 (5.3)	CTR-RING 50	\$15.00

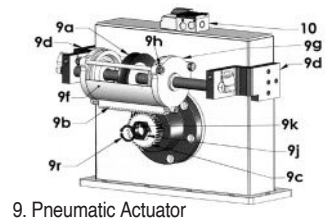
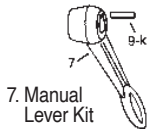
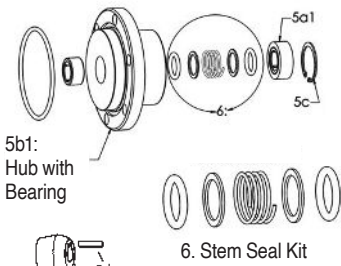
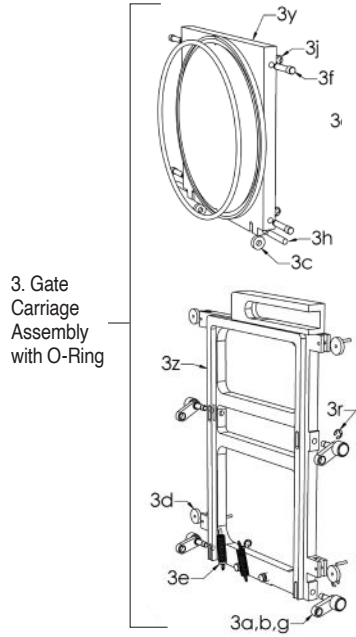
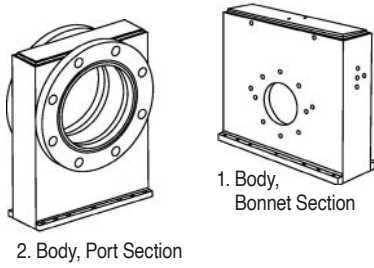


Clamps

Aluminum Clamps With Wing Nut & Screw Fastener

Flange Size	A	B	Thickness	Part No	Price
NW-16	2.24 (57)	1.69 (43)	0.63 (16)	AL-Clamp 16	\$8.00
NW-25	2.76 (70)	2.17 (55)	0.63 (16)	AL-Clamp 25	\$9.00
NW-40	3.39 (88)	3.39 (88)	0.63 (16)	AL-Clamp 40	\$12.00
NW-50	4.33 (110)	4.33 (110)	0.79 (20)	AL-Clamp 50	\$15.00

Spare Parts for Vacuum Research LPWA Series Valves



	LPWA 2 & 3 Built before Sept. 2005	LPWA 2 & 3 Built Sept. 2005 and Later	LPWA-4
	ISO-80 Any Date	ISO-100 Any Date	ISO-160
	P/N	P/N	P/N
Clean & Test Valves Returned to Pittsburgh, PA			
Complete O-Ring Kits BUNA-N, Stem Seal & 2 Flange O-Rings; 1 ea Hub, Gate & Body		X810604B	X701WA400B
LPWA 2	X701WA200B	No centering rings	
LPWA 3	X701WA300B	X810804B	
VITON, 2 ea. Stem & Flange O-Rings; 1 ea. Hub, Gate & Body O-Rings		X810604V	X701WA400B
LPWA 2	X701WA200V	No centering rings	
LPWA 3	X701WA300V		
Piston & Seal Kit for 'EP' Actuators			
For Valves Shipped 1990 or later: Piston Tee Seal, 2 Shaft & 2 End Cap O-Rings	X701201B	X701201B	X701401B
For Valves Shipped 1989 & before: Piston Cup, 2 Shaft & 2 End Cap O-Rings	X701204B	X701204B	X701404B
1. Body, Bonnet Section* (*Before ordering ports or bonnets, please verify and specify the rail to rail dimension of 98 mm or 104 mm.)			
2. Body, Port Section			
N1 Style, no neck	LPWA-2*	LPWA-ISO 100*	LPWA-4*
N6 Style, on seal side			
N8 Style, neck on open side			
N5 Style, neck both sides			
3. Gate-Carriage Assembly with O-Ring	X706103rev1	X810084	X706233rev2
3 Kit of 4 ea. Carriage Shaft, Roller & Link a,b,g Assembly with Bushings & Retaining Ring	X806500	X806500	X806500
3c. Gate Rollers - Set of 2	X706102	X706102	X706202
3d. Carriage Side Rollers - Set of 4	X706108	X706108	X706108
3e. Sprint (set)	X706106	X706256	X706206
3f. Gate Link Shafts - Set of 4	X706110rev1	X706110rev1	X706110rev1
3h. Roll Pin-Set of 6 (2 Gate, 4 Carriage)	X706105	X706105	X706205
3j. Retaining Ring (Gate Shafts) Set/4	X706119	X706119	X706119
3r. Retain. Ring (Carriage Shafts) Set/4	X02WA116	X706119	X706119
3y. Gate w/o Shafts, Links, Rollers	X02WA116	X700051	X04WA116
3z. Carriage w/o Shafts, Links, Rollers	X02LP117rev1	X700270	X04LP117rev1
4. Stem-Crank Assembly with Key, Retaining Ring & Nut	X706116rev2	X810657	X706216rev2
5. Hub Assembly (spacer design) w/o seal kit	X706WA117	X706WA117	X706WA210
5-a1. Gland spacer with bearing	X02LP108A	X02LP108A	X04LP108A
5-b1. Modified hub with bearing	X02WA118	X02WA118	X04WA118
5-c. Retaining Ring (internal type)	X702176	X702176	X702177
6. Steam Seal Kit: 2 O-Rings, (BUNA-N) 2 washers, 1 spring (VITON)	X706118	X706118	X706318
LPWA-16, 3 Quad Ring, 3 Spacers	X706118V	X706118V	X706318V
7. Manual Lever Kit Includes Handle, Washer, Key Retaining Ring	X706112rev1	X706112rev1	X706312rev2
8. Body Bolts, S.S. Complete set with nuts	1/4-20X1 (8)	1/4*20X1 (8)	1/4-20X1 1/4 (6)
9. Pneumatic Operator (without solenoid)	X806104rev1	X810089	X806240rev1
9a. Piston Assembly (w/o O-Rings & Piston Cup)	X02LP200	X02LP200	X04LP200
9b. Rack Assembly	X706114	X706114	X706214
9c. Pinion Gear Assembly	X706126	X706126	X706226
9d. Mounting Brackets (2)	X706131	X706131	X706231
9e. Cylinder Air Lines (2)	X701101	X701101	X701101
9f. Cylinder	X02LP150	X02LP150	X04LP150
9g. Cylinder End Caps	X706132	X706132	X706232
9h. Cylinder Studs & Nuts	X706130	X706130	X706230
9i. Guard OSHA Style	X02WA152	X703042	X04WA152
9j. Hex Nut	X02LP202	X02LP202	X04LP202
9k. Key	X02LP203	X02LP203	X04LP203
9r. Retaining ring (ext. fits stem crank)	X702170	X702170	X702171
10. Solenoid Valve only (specify voltage)			
24 VDC Solenoid	X703031-24VDC	X703031-24VDC	X703031-24VDC
100 VAC Solenoid	X703005-100-VAC	X703005-100VAC	X703005-100VAC
115 VAC Solenoid	X703005-115VAC	X03005-115VAC	X703005-115VAC
220 VAC Solenoid	X134010-220VAC	X134010-220VAC	X134010-220VAC
11. Solenoid Mounting Hardware with Air Line Fittings (1/4" OD Airline)	X706094	X706094	X706094



LPWA Series Valves

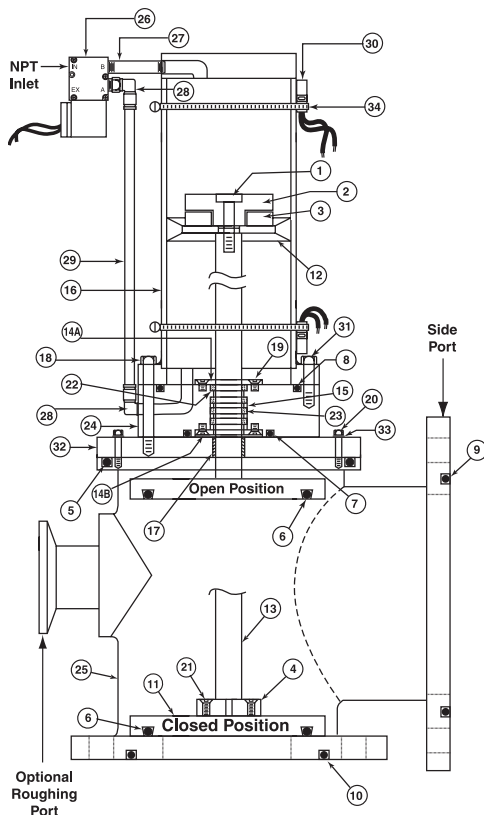
LPWA-6 & LPWA 8	ISO-250	LPWA-10 & LPWA-12 ISO-250 & 320	LPWA-10 & LPWA-12 ISO-250 & 320	TBWA-10 & TBWA-12 Thick Body Valves	LPWA-16 ISO-400
ISO-200	For Valves with Extruded Bodies (June '08 & Later)	For Valves with Extruded Bodies (Sept. 01 & later), Except ISO-250 (Sept. 01 to May 08)	For Valves with Bodies Fabricated From Plates (Aug. 01 & Before)	For Valves Built for Dirty Environments Bonnet is 3.75" (95mm) Thick	
P/N	P/N	P/N	P/N	P/N	P/N
X701WA600B (6")	X810772B	X701WA1000BR1 (10")	X701WA1000B (10")	X706015B	X810394 BUNA N
X701WA800B (8")	No Centering Rings	X701WA1200BR1 (12")	X701WA1200B (12")		
X701WA600V (6")	X810772V	X701WA1000VR1 (10")	X701WA1000V (10")	X706015V	X810395 VITON
X701WA800V (8")	No Centering Rings	X701WA1200VR1 (12")	X701WA1200V (12")		
X701401B	NA	NA	X7011001B		N/A
X701404B	X7011004B	X7011004B	X7011004B	X7011004B	X810396
LPWA 6* LPWA 8*	LPWA ISO 250	PWA 10 LPWA 12*	LPWA 10 LPWA 12	TBWA 10 & TBWA 12	LPWA 16
Contact Factory for Spare Parts and Repair Prices.					
X706303rev2	X810439R1	X810439	X810507	X810777	X810624
X806500	X806502	X806502	X806502	X810780	X810397
X706302	X810536	X810536	X810536	X810778	X810398
X706108	X706408	X706408	X706408	X810779	X810635
X706306	X706406	X706406	X706406	X706406	X810636
X706110rev1	X706410rev1	X706410rev1	X706410rev1	X810781	X810637
X706205rev1	X706405rev1	X706405rev1	X706405rev1	X810782	X810638
X706119	X706419	X706419	X706419	X810783	X810639
X706119	X706419	X706419	X706419	X810784	X810640
X406116	X700044	X700269	X10WA116	X700599	X700206
X06LP117rev1	X708008	X700285	X10WA117	X740059revA	X740057
X706316rev2	X706ISO416	X706WA416	X706WA416	X706016	X810641
X706WA317	X706WA417	X706WA417	X706WA417	X706WA417	X810642
X04LP108A	X10LP108A	X10LP108A	X10LP108A	X10LP108A	X810643
X06WA118	X10WA118	X10WA118	X10WA118	X10WA118	X810644
X702177	X702177	X702177	X702177	X702177	NA
X706318	X706418	X706418	X706418	X706418	X810645
X706318V	X706418V	X706418V	X706418V	X706418V	X810646
X706312rev1	X706412rev1	X706412rev1	X706412rev1	X706412rev1	X810647
1/4-20X1 1/4 (14)	1/4-20X1 3/4 (16)	1/4-20X1 3/4 (16)	1/4-20X1 3/4 (16)	1/4-20X1 3/4 (10)	3/8-16X2 (12)
X806304rev2	X806404rev3	X806404rev3	X806404rev2	X706019	X810648
X06LP200	X10LP200rev2	X10LP200rev2	X10LP200rev1	X10LP200rev1	X810649
X706314	X706414rev1	X706414rev1	X706414	X706414rev1	X810650
X706326	X706426rev1	X706426rev1	X706426	X706426rev1	X810651
X706231	X706431rev1	X706431rev1	X706431rev1	X706431rev1	X810652
X701101	X701101	X701101	X701101	X701101	X810653
X06LP150	X700337	X700337	X10LP150	X700337	X700581
X706232	X706432	X706432	X706432	X706018	X810654
X706330	X706430rev1	X706430rev1	X706430	X706430rev1	X810655
X06WA152	X700284	X700284	X10WA152	X740101	X700545
X04LP202	X10LP202	X10LP202	X10LP202	X10LP202	X700569
X04LP203	X04LP203	X04LP203	X04LP203	X04LP203	X700568
X702171	X702172	X702172	X702172	X702172	X702092
X703031-24VDC	X703031-24VDC	X703031-24VDC	X703031-24VDC	X703031-24VDC	X134016
X703005-100VAC	X703005-100VAC	X703005-100VAC	X703005-100VAC	X703005-100VAC	X134036
X703005-115VAC	X703005-115VAC	X703005-115VAC	X703005-115VAC	X703005-115VAC	X134012
X134010-220VAC	X134010-220VAC	X134010-220VAC	X134010-220VAC	X134010-220VAC	X134019
X706094	X706094	X706094	X706094	X706094	X810656



Spare Parts for Vacuum Research End Operated Valves

DESCRIPTION Contact Factory for Spare Parts Prices	END STD 2 END ISO 63	END LP 2 END LP 3 ENS STD 3 END ISO 100 END CF 6 IN. OD	END LP 4 END STD 4 END ISO 160 END CF 8 IN. OD	END LP 6 END STD 6 END STD 8 END ISO 200 END CF 12 IN. OD	END LP 8 END STD 10 END ISO 250 END CF 12 IN. OD	END LP 10 END STD 12 END ISO 320 END CF 14 IN. OD Oct. 31 2005 and Before
Clean and test Valves Returned to Factory	X815000	X815001	X815002	X815003	X815004	X815005
Complete Shaft Seal & O-Ring Kit, Buna-N w/o Flange O-Rings	X701EO100B	X701EO200B	X701EO400B	X701EO600B	X701EO1000B	X701EO1200B
Seal & O-Ring Kit as above Viton	X701EO100V	X701EO200V	X701EO400V	X701EO600V	X701EO1000V	X701EO1200V
Shaft Seal Kit Only BUNA-N	X706EO116B	X706EO116B	X706EO118B	X706EO118B	X706EO118B	X706EO318B
Shaft Seal Kit As Above VITON	X706EO116V	X706EO116V	X706EO118V	X706EO118V	X706EO118V	X706EO318V
Gate Carriage Assembly with Gate O-Ring	X810541	X810537	X810538	X810539	X810540	X810617
Carriage Shaft, Roller and Link Assembly with Bushings and Retaining Ring, Set of 4	X806504	X806500	X806500Rev1	X806500	X806503	X806503
1. Piston Hold Down Bolt	X702014	X702014	X702210	X702210	X702210	X702210
2. Magnet Retainer	X700463	X700046	X700031	X700031	X700031	X700031
3. Magnet	X132003	X132003	X132002	X132002	X132002	X132002
4. Shaft to Carriage Roll Pin	X702036	X702036	X702036	X702084	X702084	X702084
5. Bonnet Plate O-Ring B or V	X701153	X701249	X701260	X701265	X701274	X701274
6. Carriage	X700139	X700052	4EO117M	X700117	X700018	X700228
7. Seal Housing to Bonnet Plate O-Ring B or V	NA	X701226	X701226	X701226	X701226	X701228
8. Cylinder to Seal Housing O-Ring B or V	X701134	X701231	X701235	X701235	X701238	X701243
9. Gate Link Shaft (4)	X02LP131R2	X02LP131R2	X02LP131R2	X02LP131R 2	X700022	X700022
10. Link With Bearings (4)	X700137A	X04LP133	X04LP133	X04LP133	X700020	X700020
11. Carriage Roller Assembly (4)	X706124	X706124	X706124	X706124	X706424	X706424
12. Piston Cup	X205006	X205002	X205004	X205004	X205001	X205007
13. Actuator Shaft	X700245	X700048	X700316	X700202	X700050	X700216
14. Top or Bottom Seal Retainer	X700404	X700045	X700029	X700029	X700029	X700135
15. Seal Spacers (3)-Only 2 pc on 2"- ISO 63	X700054 (2)	X700054	X700028	X700028	X700028	X700134
16. Air Cylinder Weldment	X740015	X740003	X740024	X740011	X740044	X740020
17. Bonnet Plate Bushing	NA	X702142	X702254	X702254	X702254	X702232
18. Cylinder Retaining Bolts	X702045 (4)	X702048 (6)	X702219 (6)	X702219 (6)	X702219 (6)	X702219 (6)
19. Seal Retainer Screws (4) per Retainer	X702055	X702055	X702055	X702055	X702055	X702055
20. Bonnet Plate Bolts	X702220 (2)	X702016 (8)	X702016 (8)	X702016 (8)	X702018 (12)	X701020 (12)
22. High Pressure Seal B or V	X70112500500	X70112500500	X70112500625	X70112500625	X70112500625	X70112500750
23. Vacuum Shaft Seals (3) B or V 24. Seal Housing	X701Q4206	X701Q4206	X701Q4208	X701Q4208	X701Q4208	X701Q4210
24. Seal Housing	X700138	X700067	X700333	X700333	X700414	X700294
25. Valve Body	P/N as required to indicate roughing ports and O-Rings on Flanges					
26. Solenoid	115VAC P/N X703005, 24VDC P/N X703031, 220VAC P/N X134010					
27. Nipple	X300009	X300009	X300009	X300009	X300009	X300009
28. Elbow (2)	X702043	X702043	X702043	X702043	X702043	X702043
29. Hose	X701101	X701101	X701101	X701101	X701101	X701101
30. Position Indicator Switch	X703016	X703016	X703016	X703016	X703016	X703016
31. Cylinder Seal Housing Bolts	NA	NA	NA	NA	NA	X702009(4)
32. Bonnet Plate	X700138	X700241	X700242	6END110	10END110	X700215
33. Flat Washer for Bonnet Plate Bolts	X702250(8)	X702250(8)	X702250(8)	X702250(8)	X702250(8)	X702250(8)
34. Clamp for Position Indicator	X703101	X703101	X703101	X703101	X703100	X703100
35. Gate	X700140	X700051	X04WA116	X406116	X700017	X700227
36. Gate Roller (2)	X02LP136A	X02LP136A	X04LP136A	X06LP136B	X700021	X700021
37. Side Roller Pin (4)	X702032	X702032	X702032	X702032	X702035	X702634
38. Carriage Side Roller (4)	X700049	X02LP137A	X700310 (4)	F-X02LP137A	X700023	X700369
39. Seal Side O-Ring B or V						
40. Gate O-Ring B or V	X701232	X701244	X701259	X701369	X701450	X701453
41. Open Side Port O-Ring B or V						
42. Carriage Block	X700136	X700053	NA	X700019	X700019	X700019
43. Gate Roller Pin	X702030	X702030	X702037	X702084	X702084	X702084
44. Spring Set	X706122	X706106	X706206	X706306	X706406	X706406

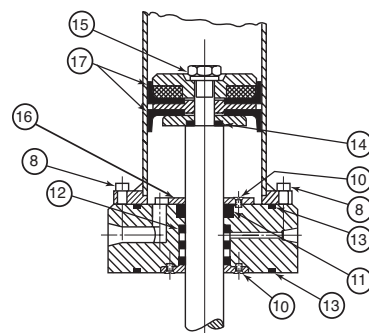
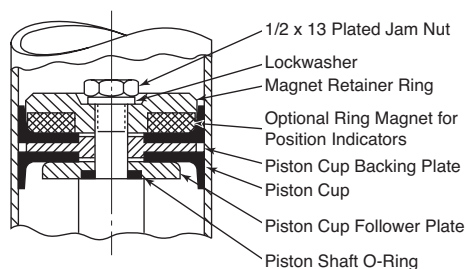
Welded Aluminum poppet valves shipped in 2001 and later. Please contact factory by phone or email for parts and repair prices.



Item	Description
1.	Piston hold down bolt
2.	Magnet retainer
3.	Magnet
4.	Shaft retainer clamp
5.	Bonnet plate O-ring
6.	Seal plate O-ring
7.	Seal housing to bonnet plate O-ring
8.	Cylinder to seal housing O-ring
9.	Side port O-ring
10.	Bottom Port O-ring
11.	Seal plate
12.	Piston cup
13.	Shaft
14A.	Top seal retainer
14B.	Bottom seal retainer
15.	Seal spacers (3 required)
16.	Air cylinder weldment
17.	Bonnet plate bushing

Item	Description
18.	Cylinder retaining bolts (6 required)
19.	Seal retainer screws (4 required per retainer)
20.	Bonnet plate bolts
21.	Screws for shaft retainer clamp (4 required)
22.	High pressure seal
23.	Vacuum shaft seals
24.	Seal housing
25.	Body with no roughing ports
26.	Solenoid
27.	Nipple
28.	Elbow (2 required)
29.	Hose
30.	Position indicatorswitch
31.	Cylinder seal housing bolts (6 required)
32.	Bonnet plate
33.	Flat washer for bonnet plate bolts
34.	Clamp for position indicator

Welded Poppet Valves Shipped in 2000 and Before



8	8	Cylinder Retaining Screws, Four (4) 1/4-20 x 2 1/2 Long Steel Socket Head Cap and Four (4) 4-20 x 3/4 Long Steel Socket Head Cap Screws (price per set of 8)	X2AV08	—————▶				
10	8	10/32 x 3/8 Long Steel Flat Head Cap Screws for top & bottom Seal Retainers (per set of 8)	X2AV10	X2AV10	X2AV10	X2AV10	X2AV10	
11	1	Actuating Shaft Wiper Seal	X70118700625	X70125001000	X70125001000	X70125001000	X70125001000	
12	3	Shaft Seal Rings (per set of 3)	X701Q4208	X701Q4214	X701Q4214	X701Q4214	X701Q4214	
13	2	Seal Housing O-Ring	X701227B	X701236B	—————▶			
14	1	Piston Shaft O-Ring	X701110B	X701206B	—————▶			
15	1	1/2-13 Steel Hex Jam	X2AV15	X2AV15	X2AV15	X2AV15	X2AV15	
16	1	Top Seal Retainer	X2AV16	—————▶				
17	2	Piston Cup (price each, required)	X7012000500	X7013000625	—————▶			
N/A	1	O-Ring Kit, Buna-N	X701305B	X701306	X701406B	X701606B	X7011006B	



Spare Parts for Cast Aluminum LP Valves Built After May of 1990

Part Name Contact Factory for Spare Parts Prices.	LP-2 & LP-3 LP ISO-100 & LP CF 6 IN. OD P/N		LP-4 LP ISO-160 & LP CF 8 IN. OD P/N	LP-6 & LP-8 LP ISO-200 & LP CF 8 IN. OD P/N		LP-10 & LP-12 LP ISO-320 & LP CF 14 IN. OD P/N	
	Clean & Test Valves Returned to Pgh.						
Complete O-Ring Kits, BUNA-N..... 2 ea. Stem & Flange; 1 ea. Hub, Gate, Body	X701200B		X701400B	X701600B (6") X701600B (6")		X7011000B (10") X7011200B (12")	
Complete O-Ring Kits, VITON..... 2 ea. Stem & Flange; 1 ea. Hub, Gate, Body	X701200V		X701400V	X701600V (6") X701600V (6")		X7011000V (10") X7011200V (12")	
Piston & Seal Kit for 'EP' Actuators For Valves Shipped 1990 or Later	X701201B		X701401B	X701401B		X7011001B	
Piston Tee Seal, 2 shaft & 2 End Cap O-Ring For Valves Shipped 1989 or before	X701204B		X701404B	X701404B		X7011004B	
Piston Cup, 2 Shaft & 2 End Cap O-Rings							
1. Body, Bonnet Section.....	X02LP110M		X04LP110M	X06LP110M		X10LP110M	
	If roughing ports are required specify as R1-NW-16 etc. as described in the Valve Catalog and add the cost to the bonnet section prices shown above.						
2. Body, Port Section N1 style, no neck..... N6 Style, on seal side	LP-2	LP-3	LP-4	LP-6	LP-8	LP-10	LP-12
N8 Style, neck on open side..... N5 Style, neck both sides							
	Contact Factory for Spare Parts						
3. Gate-Carriage Assembly with O-ring 3a,b,g. Carriage Shaft, Roller and Link Assembly with Bushings and Retaining Ring. Set of 4.....	LP-2 & LP-3		LP-4	LP-6 & LP-8		LP-10 & LP-12	
	X706103rev1		X706203rev2	X706303rev2		X706403	
	X806500		X806500	X806500		X806501	
3c. Gate Rollers - Set of 2.....	X706102		X706202	X706302		X706402	
3d. Carriage Side Rollers - Set of 4.....	X706108		X706108	X706108		X706408	
3e. Spring (set).....	X706106		X706206	X706306		X706406	
3f. Gate Link Shafts - Set of 4.....	X706110		X706110rev1	X706110rev1		X706410rev1	
3h. Roll Pin-Set of 6 (2 Gate, 4 Carriage)	X706105		X706205	X706205		X706405	
3j. Retaining Ring (gate shafts) - Set/4	Not Used		X706119	X706119		X706419	
3r. Retain, Ring (carriage shafts) - Set/4.....	X706119		X706119	X706119		X706419	
3y. Gate w/o Shafts, Links, Rollers.....	X02LP116M		X04LP116rev1	X06LP116rev1		X10LP116rev1	
3z. Carriage w/o Shafts, Links, Rollers.....	X02LP117rev1		X04LP117rev1	X06LP117rev1		X10LP117rev1	
4. Stem-Crank Assembly, with key Retaining ring & nut	X706116rev2		X706216rev2	X706316rev1		X706416rev1	
5. Hub Assembly (spacer design) w/o seal kit 5a1. Gland spacer with bearing	X706117rev1 X02LP108A		X706210rev1 X04LP108A	X706317rev1 X04LP108A		X706417rev1 X10LP108A	
5b1. Modified hub with bearing	X02LP118rev1		X04LP118rev1	X06LP118rev1		X10LP118rev1	
5c. Retaining Ring (internal type)	X702176		X702177	X702177		X702177	
6. Stem Seal Kit: 2 O-rings, (BUNA-N)	X706118		X706318	X706118		X706418	
2 washers, 1 spring, (VITON)	X706118V		X706318V	X706118V		X706418V	
7. Manual Lever Kit Includes Handle, Washer, Key, Retaining Ring	X706112rev1		X706312rev2	X706312rev1		X706412rev1	
8. Body Bolts, S.S.Complete set with nuts.....	1/4-20X1 (6)		1/4-20X1 1/4(6)	1/4-20X1 1/4(14)		1/4-20X1 3/4(16)	
9. Pneumatic Operator (without solenoid)	X806104rev1		X806204rev1	X806304rev1		X806404rev1	
9a. Piston Assy (w/o O-Rings & TSeal).....	X02LP200		X04LP200	X06LP200		X10LP200	
9b. Rack Assembly.....	X706114		X706214	X706314		X706414	
9c. Pinion Gear Assembly.....	X706126		X706226	X706326		X706426	
9d. Mounting Brackets (2)	X706131		X706231	X706231		X706431	
9e. Cylinder Air Lines (2).....	X701101		X701101	X701101		X701101	
9f. Cylinder	X02LP150		X04LP150	X06LP150		X10LP150	
9g. Cylinder End Caps (2).....	X706132		X706232	X706232		X706432	
9h. Cylinder Studs & Nuts.....	X706130		X706230	X706330		X706430	
9i.Guard, OSHA Style.....	X02LP152Z		X04LP152Z	X06LP152Z		X10LP152Z	
9j. Hex Nut.....	X02LP202		X04LP202	X04LP202		X10LP202	
9k. Key.....	X02LP203		X04LP203	X04LP203		X04LP203	
9r. Retaining ring (ext. fits stem crank).....	X702170		X702171	X702171		X702172	
10. Solenoid Valve only (specify voltage) 4 Way (3 Way available).....	X706100		X706100	X706100		X706100	
11. Solenoid (with bracket & fittings).....	X706100		X706100	X706100		X706100	

A

Air Cylinder Volume	40
Air Usage	40
Accessories for Valves	40, 41, 42
Actuator Size	40
Actuator Volume	40
Aluminum Gaskets for Conflat® Flanges	16, 43
Aluminum Valves	
ANSI Flanges	5 - 10, 24, 27
Conflat Flanges	15, 16, 17
ISO Flanges, f or k Style	12, 14
JIS Flanges	10
Angle Valves	
2 to 6 inch Low Profile	28
2 to 24 inch ANSI Flanges	28
ISO-63 to ISO-500 Flanges, f or k Style	27
NW-16 to NW-50 Flanges	26
Small Angle Valves	26, 29
ANSI Flange Gate Valves	
5 Minute Rebuild Style	4, 5, 6
Large Gate Valves, 2 to 24 inch	8, 9

B

Bellows Assemblies, NW-16 through NW-50	25
Bellows Sealed Valves	
Angle Valves, NW-16 to NW-50	26
Bonnet Body Style Valves	
ANSI Flanges	4, 5, 6
Conflat® Flanges	16, 17
ISO Flanges, f or k Style	12, 13
JIS Flanges	10

C

Centering Rings for ISO Flanges, 63 to 630 mm	42
Chambers	31
Clamps & Centering Rings, NW-16 to NW-50	25, 42
Claw Clamps, ISO Style	41
Components & Fittings	43
Compressed Air Usage	40
Conflat® Flanges	
Angle Style Valves	16
Gate Valves	16, 17
Conductance	40
Control Valves	20, 21, 22, 23
Cooled Gate Valves	32
Cryo Pump Valves	26, 27
ANSI Flanges	5 - 10, 28
Conflat Flanges	15, 16, 17
ISO Flanges, f or k Style	12, 14
JIS Flanges	10

D

Diffusion Pump Valves	28, 29
Dirty & Dusty Application Valves	34, 35
Display Processing Valves	5, 12, 14, 15

E

Electric Motor Actuators for LPWA Gate Valves	19
End Operated Valves	
Conflat Flanges	15
ISO, 63 to 630 mm, f or k Style	4
NW 50	14
EP Actuator Volume	40
EP Actuator Covers	41
Electropneumatic Actuator Volume	40

F

Feedthroughs, Rotary & Push-Pull	38
--	----

G

Gaskets, Aluminum Conflat®	16
Gate Valves	
ANSI Flanges	5, 8, 9
Conflat® Flanges	16
ISO Flanges, f or k Style	12, 14
JIS Flanges	10
Water Cooled	32
Gauge Ports	43
GMR style Gate Magnet Limit Switch	41

H

High Speed Closure	8, 9, 14, 15
--------------------------	--------------

I

ISO Flange Gate Valves, f or k Style	
5 Minute Rebuild Style	12
Poppet Valves, ISO 63 - 500	29
Large Gate Valves	14
Inline Valves	26
Isolation Valves	20-23

J

JIS - ANSI - ISO - Conflat Flange Combination	4
JIS Flange Gate Valves	
5 Minute Rebuild Style	10

K

Knife Valves	
ANSI Flanges	5, 8, 9
Conflat Flanges	15, 16
ISO Flanges, f or k Style	12, 14, 22-23
JIS Flanges	10

L

L Shaped Gaskets	29
Large Gate Valves	
ANSI Flanges	8-9
ISO Flanges, f or k Style	14
Limit Switches/Position Indicators	41
Linear Actuated Valves	8, 9, 14, 15, 18
Lock out / Tag out	41

M

Manual Valves	
ANSI Flanges	5, 8
Conflat Flanges	16, 24
ISO Flanges, f or k Style	12
JIS Flanges	10
Small Angle Valves	26
Manual Throttle and Isolation Valves	24

Molecular Conductance	40
Motion Feedthroughs	
Rotary & Push-Pull	38
Motorized Valves.....	19

N

Non-magnetic Valves Up to 12 Inch	41
NW Style Roughing and Gauge Ports.....	43
NW Valves and Clamps	
Angle Style Valves.....	24
Clamps & Center Rings.....	27, 43

O

Oiler & Pump Out Ports	30
One Piece Body Style Valves	
T1 and T2, Replacement for.....	36, 37
Optional Features	41-43
Ordering Information.....	2
Rings & Seals	44, 45, 46, 47, 48, 49
OSHA Style EP Covers	41
Outgassing Bibliography References	40
Outgassing Rates for Aluminum and Stainless Steel.....	40
Oversize Large Port, End Operated	9

P

Particle Generation Graph	15
Plain, Blank or Special Flanges	42
Pneumatic Actuator Volume.....	40
Pneumatic Valves	
ANSI Flanges	5, 8, 9
Conflat Flanges.....	15, 16, 17
ISO Flanges, f or k Style.....	12, 14
JIS Flanges	10
Water Cooled	32
Poppet Style Valves, Water Cooled	32
Poppet Valves	
2 to 6 inch Low Profile	28
2 to 24 inch ANSI Flanges	28
ISO-63 to ISO-500 Flanges, f or k Style	29
NW-16 to NW-50 Flanges	26
Small Angle Valves.....	26, 29
Port Flange O-Rings.....	42
Port Flange Spacer Washers.....	42
Position Indicators/Limit Switches	41
Positioner Unit, Throttemaster Valve	22-23
Protective Ring Valves for Dirty & Dusty Applications.....	34
Pumping Speed	40
Pump-Out & Oiler Ports.....	30
Push-Pull Reciprocating Motion Feedthroughs	38

R

Rack and Pinion Style Valves	
ANSI Flanges.....	5, 8, 9
Conflat Flanges.....	15, 16, 17
ISO Flanges, f or k Style.....	12, 14
JIS Flanges.....	10
Rectangular Port Valves	18
Rotary Actuated Valves	
ANSI Flanges.....	5, 8, 9
Conflat Flanges.....	15, 16, 17
ISO Flanges, f or k Style.....	12, 14
JIS Flanges	10
Roughing Ports	43
Rotary Feedthroughs.....	38

S

Sight Port Valves	
ANSI Flanges	4, 5, 6
Conflat® Flanges	16, 17
ISO Flanges, f or k Style.....	12, 13
JIS Flanges	10
Slide Valves	
ANSI Flanges	5, 8, 9
Conflat® Flanges	16, 17
ISO Flanges, f or k Style.....	12, 14
JIS Flanges	10
Water Cooled	32
Slit Valves	18
Small Angle Valves	26
Solenoids for Pneumatic Valves	40
Spare Parts for Valves	
Cast LP Valves Built After 1990	49
LPWA Series Valves.....	44, 45
End Operated Gate Valves	46, 47
Welded Aluminum Poppet Valves shipped 2000 and before	48
Welded Aluminum Poppet shipped 2001 and later	48
Special Flanges.....	42
Special O-Ring Combinations.....	42
Special Use Valves	
Water Cooled Valves	32
Valves for Dusty & Dirty Applications.....	34
Pump Out & Oiler Ports for Gate & Poppet Valves.....	30
Special Aluminum Valves.....	31
Stainless Steel Valves	
ANSI Flanges	5
Conflat Flanges	16
ISO Flanges, f or k Style	12
JIS Flanges	10

T

T1 & T2 Style Gate Valves, Replacements for.....	36, 37
Technical Data.....	39
Throttle & Isolation Valves	
Throttemaster.....	20-23
3 Position Throttle Valves.....	23

V

Valve Conductance.....	39
Valve Solenoids.....	25, 40, 44, 46, 48, 49

W

Wafer Processing Valves	18
Water Cooled Valves, Gate and Poppet Style	32



100 Chapel Harbor Drive, #4 • Pittsburgh, PA 15238 USA
412-261-7630 • FAX: 412-261-7220 • e-mail: VRC@vacuumresearch.com
www.vacuumresearch.com • Phone: 800-426-9340