



Aluminum valves with (left to right): Electro Pneumatic, Manual, and Motor Actuators. Stainless Steel valves also available.

ANSI, ISO, JIS, or Special Flanges

These Vacuum Research 5 minute rebuild valves are available with virtually any flange or combination of flanges at no extra charge. Combinations of ISO on one flange and ANSI on the other are easily accommodated. Even different sizes such as 4 inch on one flange and 6 inch on the other.

Insertable "Flangeless" Valves

It is sometimes helpful to keep the flange-to-flange dimension ("A" dimension on the dimensions pages) as short as possible. In such cases your valves can be provided with no port flanges at all and with either O-Ring grooves machined into the valve body or with a precision machined surface on the body to seal against the O-rings on your pump or chamber. Contact the factory for prices.

Aluminum or Stainless Steel

Vacuum Research Bonnet Style valves are available in stainless steel or 6061 aluminum. Smooth surface finish gives low outgassing and fast pump down.

High Conductance

In addition to the oversize ports used in the LPWA Series for the last 40 years, we now offer the X-LPWA Series where a 4 inch valve has a 6 inch port, an 8 inch valve has a 10 inch port, etc. Conductance values are shown on page 39.

Fail Safe

All Vacuum Research Bonnet Style Valves can be installed for fast close on power failure and air operated valves can be manually positioned without air or electricity.

Long Life

More than 250,000 cycles for aluminum valves. That's one cycle every 2 minutes, 24 hours/day for a year.

SolidWorks *.STEP Files

Contact us to obtain SolidWorks 3D *.STEP format modeling files that plug formatted VRC valve 3-D models into your computer-aided design projects.



Less Outgassing Than Stainless Steel

Dozens of papers show the 6000 Series aluminum used in VRC valves outgasses up to 2 orders of magnitude less than 300 Series stainless steel and of course no hydrogen. A bibliography of 70 peer reviewed papers about out-gassing compiled by Dr. M. Wong at Fermi Labs can be found at http://home.fnal.gov/~ml-wong/outgas_rev.htm. See page 40 for more information

Vacuum & Pressure

Vacuum Research valves stay sealed with vacuum or atmosphere on either side.

Satisfaction Guaranteed

Vacuum Research has been building high vacuum valves for almost 50 years and has earned a reputation for world class product quality and customer service. If you are not satisfied with our valve just send it back.

No Leaks

All Vacuum Research valves have total leak rates of less than 5 X 10⁻¹⁰ std cc/sec. By total leak we mean that each completed valve is tested in a He filled bag.

RoHS Compliant

All Valves are (RoHS) 2015/863/EU Compliant and carry the mark.

Electric Motor, Air or Manual Actuators

All Vacuum Research gate valves are available with 3 types of actuators. Manual actuators are the least expensive. Electro-pneumatic actuators use 70 psi (4.9 kg/cm) compressed air and include the solenoid (specify the solenoid voltage that is most convenient for you). Electric motor actuators use high torque servo motors and operate from 115V or 230V, 1Ø 50 or 60 Hz. CE Mark included.

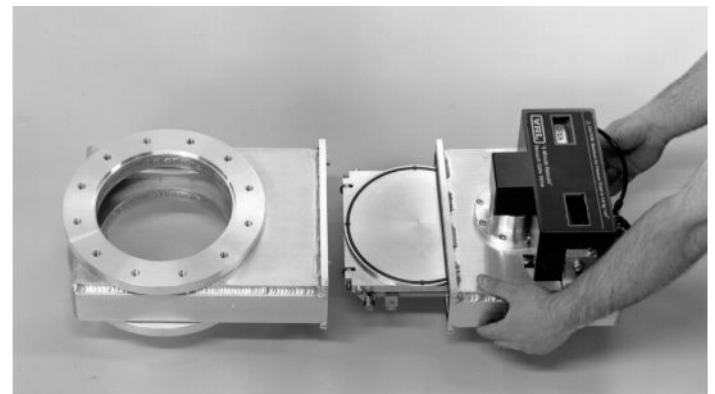
Roughing and Gauge Ports

There are six locations for optional gauge and roughing ports described on page 43.

Position Indicators, Limit Switches

Visual indication of valve position is included on all valves. Limit switches for remote indication are available and are described on the Optional Features pages in the Accessories & Parts section.

Complete Rebuild in 5 Minutes.



With no special tools or training you can replace every moving part in your Vacuum Research Bonnet Style Valve in 5 minutes. (Our best guys can do it in less time, but they practice.)



- Less Outgassing Than Stainless, See Page 40
- 250,000 Cycle Rotary Shaft Seal
- Million Cycle Valves Also Available
- Large Port, Mates With JIS Flanges
- 6 Optional Roughing Port Locations
- Helium Leak Less Than 5×10^{-10} scc/sec
- All Valves (RoHS) 2015/863/EU Compliant
- Fail Safe Design, Close On Power Loss
- Vacuum & Pressure; Optional Seal to 3 ATM.
- Optional Operation to 10 Bar, 147 PSIG

ORDERING INFORMATION

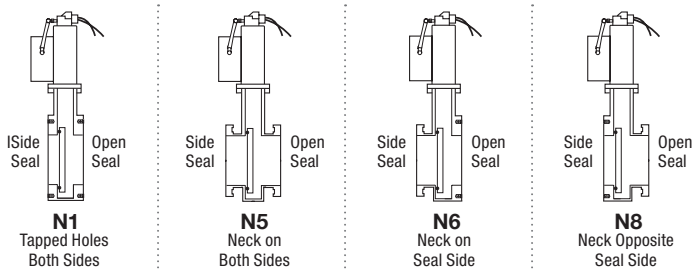
Model Number: Refer to page 2 for instructions on how to specify the features you need.

Electric Motor Actuators: Any Vacuum Research valve can be supplied with a high torque electric motor actuator. Refer to "Electric Motor Actuator" Page in the Accessories and Parts section.

Special Features: Refer to pages 40-43 for specifications for roughing and gauge ports, position indicators & other special features.

Viton® or Kalrez® or Silicone O-Rings: Our standard Valves use a Viton® O-Ring for the gate seal and Buna-N O-Rings for all other locations. You may specify Viton® or other materials throughout the valve with a "V", "S", or "K" in the model number. For Viton® add the following to the price. (For Silicone or Kalrez® contact the factory for prices.)

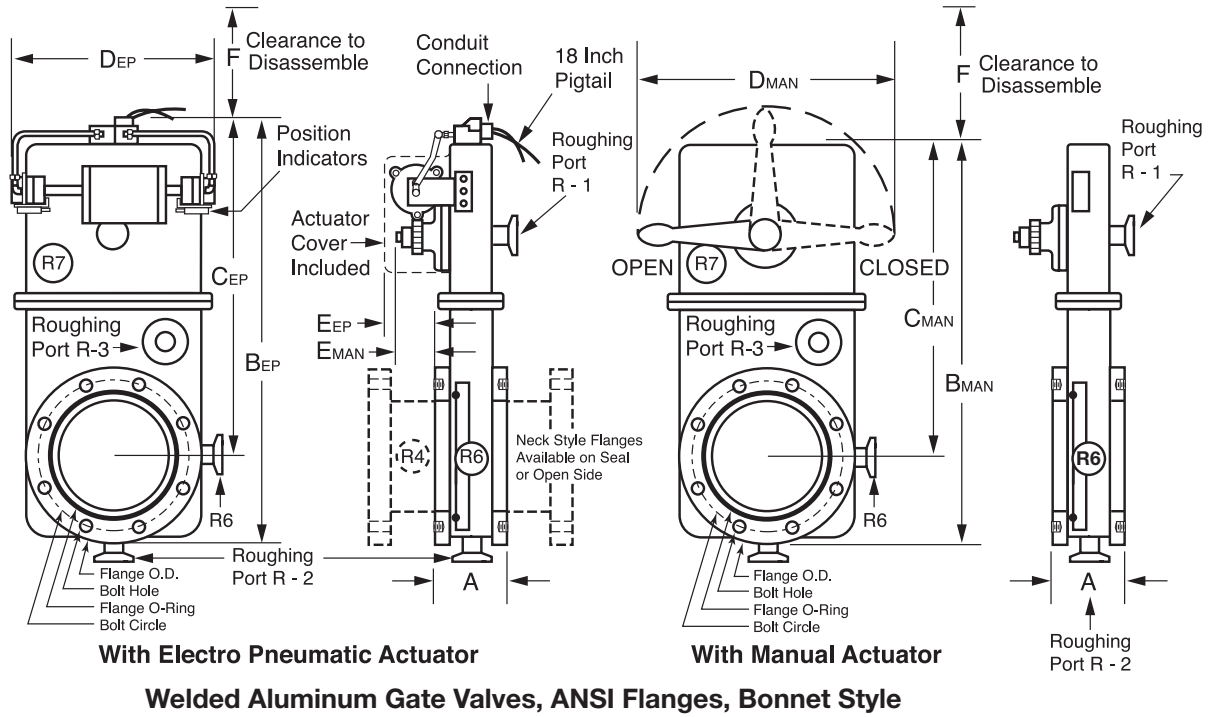
63 or 80 mm valves	\$81	200 mm valves	\$240
100 mm valves	\$122	250 mm valves	\$313
160 mm valves	\$153	320 mm valves	\$403



For valves with ports up to 200 mm the actuator is on the same side as the gate seal, valves with ports 250 mm and larger have the actuator opposite the gate seal side.

Nominal Size	Electro-Pneumatic Operator "EP" Suffix				Manual Operator "M" Suffix			
	Aluminum Model & Neck Style	Price	Stainless Steel Model & Neck Style	Price	Aluminum Model & Neck Style	Price	Stainless Steel Model & Neck Style	Price
65 mm One piece style	OP-65-JIS-N1-EP	\$1,810	OPSS-65-JIS-N1-EP	\$6,205	OP-65-JIS-N1-M	\$1,392	OPSS-65-JIS-N1-M	\$5,392
	OP-65-JIS-N5-EP	\$2,681	OPSS-65-JIS-N5-EP	\$6,497	OP-65-JIS-N5-M	\$1,686	OPSS-65-JIS-N5-M	\$5,662
	OP-65-JIS-N6-EP	\$1,971	OPSS-65-JIS-N6-EP	\$6,351	OP-65-JIS-N6-M	\$1,541	OPSS-65-JIS-N6-M	\$5,528
	OP-65-JIS-N8-EP	\$1,971	OPSS-65-JIS-N8-EP	\$6,351	OP-65-JIS-N8-M	\$1,541	OPSS-65-JIS-N8-M	\$5,528
80 mm	LPWA-80-JIS-N1-EP	\$2,457	LPSS-80-JIS-N1-EP	\$7,139	LPWA-80-JIS-N1-M	\$2,122	LPSS-80-JIS-N1-M	\$6,841
	LPWA-80-JIS-N5-EP	\$2,648	LPSS-80-JIS-N5-EP	\$7,503	LPWA-80-JIS-N5-M	\$2,474	LPSS-80-JIS-N5-M	\$7,131
	LPWA-80-JIS-N6-EP	\$2,576	LPSS-80-JIS-N6-EP	\$7,320	LPWA-80-JIS-N6-M	\$2,306	LPSS-80-JIS-N6-M	\$6,948
	LPWA-80-JIS-N8-EP	\$2,576	LPSS-80-JIS-N8-EP	\$7,320	LPWA-80-JIS-N8-M	\$2,306	LPSS-80-JIS-N8-M	\$6,948
100 mm	LPWA-100-JIS-N1-EP	\$2,473	LPSS-100-JIS-N1-EP	\$7,225	LPWA-100-JIS-N1-M	\$2,208	LPSS-100-JIS-N1-M	\$7,003
	LPWA-100-JIS-N5-EP	\$2,734	LPSS-100-JIS-N5-EP	\$7,102	LPWA-100-JIS-N5-M	\$2,466	LPSS-100-JIS-N5-M	\$7,318
	LPWA-100-JIS-N6-EP	\$2,612	LPSS-100-JIS-N6-EP	\$7,423	LPWA-100-JIS-N6-M	\$2,347	LPSS-100-JIS-N6-M	\$7,050
	LPWA-100-JIS-N8-EP	\$2,612	LPSS-100-JIS-N8-EP	\$7,423	LPWA-100-JIS-N8-M	\$2,347	LPSS-100-JIS-N8-M	\$7,050
150 mm	LPWA-150-JIS-N1-EP	\$2,689	LPSS-150-JIS-N1-EP	\$8,394	LPWA-150-JIS-N1-M	\$2,407	LPSS-150-JIS-N1-M	\$7,949
	LPWA-150-JIS-N5-EP	\$3,079	LPSS-150-JIS-N5-EP	\$8,831	LPWA-150-JIS-N5-M	\$2,804	LPSS-150-JIS-N5-M	\$8,386
	LPWA-150-JIS-N6-EP	\$2,889	LPSS-150-JIS-N6-EP	\$8,613	LPWA-150-JIS-N6-M	\$2,606	LPSS-150-JIS-N6-M	\$8,168
	LPWA-150-JIS-N8-EP	\$2,889	LPSS-150-JIS-N8-EP	\$8,613	LPWA-150-JIS-N8-M	\$2,606	LPSS-150-JIS-N8-M	\$8,168
200 mm	LPWA-200-JIS-N1-EP	\$5,220	LPSS-200-JIS-N1-EP	\$10,145	LPWA-200-JIS-N1-M	\$4,849	LPSS-200-JIS-N1-M	\$9,700
	LPWA-200-JIS-N5-EP	\$5,670	LPSS-200-JIS-N5-EP	\$10,612	LPWA-200-JIS-N5-M	\$5,297	LPSS-200-JIS-N5-M	\$10,167
	LPWA-200-JIS-N6-EP	\$5,379	LPSS-200-JIS-N6-EP	\$10,378	LPWA-200-JIS-N6-M	\$5,006	LPSS-200-JIS-N6-M	\$9,933
	LPWA-200-JIS-N8-EP	\$5,379	LPSS-200-JIS-N8-EP	\$10,378	LPWA-200-JIS-N8-M	\$5,006	LPSS-200-JIS-N8-M	\$9,933
250 mm	LPWA-250-JIS-N1-EP	\$6,291	LPSS-250-JIS-N1-EP	\$15,909	LPWA-250-JIS-N1-M	\$5,860	LPSS-250-JIS-N1-M	\$15,013
	LPWA-250-JIS-N5-EP	\$6,791	LPSS-250-JIS-N5-EP	\$16,407	LPWA-250-JIS-N5-M	\$6,362	LPSS-250-JIS-N5-M	\$16,383
	LPWA-250-JIS-N6-EP	\$6,542	LPSS-250-JIS-N6-EP	\$16,158	LPWA-250-JIS-N6-M	\$6,112	LPSS-250-JIS-N6-M	\$15,697
	LPWA-250-JIS-N8-EP	\$6,542	LPSS-250-JIS-N8-EP	\$16,158	LPWA-250-JIS-N8-M	\$6,112	LPSS-250-JIS-N8-M	\$15,697
300 mm	LPWA-300-JIS-N1-EP	\$7,816	LPSS-300-JIS-N1-EP	\$18,757	LPWA-300-JIS-N1-M	\$7,386	LPSS-300-JIS-N1-M	\$18,296
	LPWA-300-JIS-N5-EP	\$8,296	LPSS-300-JIS-N5-EP	\$19,283	LPWA-300-JIS-N5-M	\$7,861	LPSS-300-JIS-N5-M	\$18,822
	LPWA-300-JIS-N6-EP	\$8,037	LPSS-300-JIS-N6-EP	\$19,018	LPWA-300-JIS-N6-M	\$7,603	LPSS-300-JIS-N6-M	\$18,559
	LPWA-300-JIS-N8-EP	\$8,037	LPSS-300-JIS-N8-EP	\$19,018	LPWA-300-JIS-N8-M	\$7,603	LPSS-300-JIS-N8-M	\$18,559

Stainless or Welded Aluminum, JIS Flanges, Bonnet Style

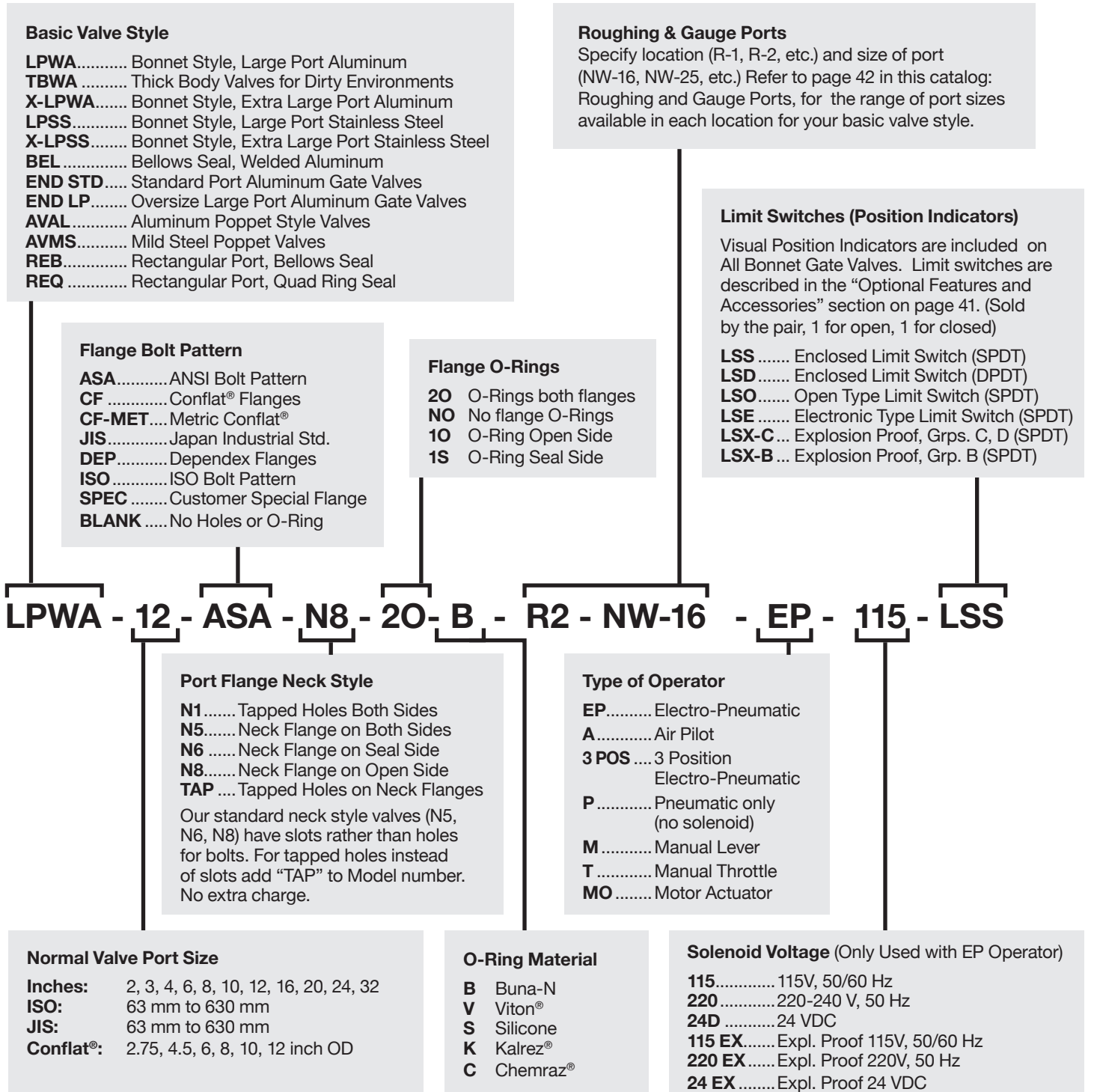


Note: All dimensions in millimeters. Roughing ports and position indicator limit switches optional. Centering rings not included.
 For valves with ports up to 200 mm the actuator is on the same side as the gate seal, valves with ports 250 mm and larger have the actuator opposite the gate seal side.

JIS Port Size	Model No.	Flange		Bolt Circle	(number of bolts) size - pitch	A Flange to Flange		BMAN Manual Overall Weight	BEP EP Overall Weight	CEP Port CL to top of Valve	DMAN Manual Overall Width	DEP EP Overall Width	EMAN Manual	EEP EP	F Dis-assembly Clearance	Weight kgs. Aluminum	
		Outside Diam.	O-Ring inside Diam.			Stain-less	Alumi-num									Net	Ship
65mm one piece style	OP 65 JIS N1, both sides tapped holes	145	85	120	(4) M 8-1.25	53	70	246	278	205	100	175	45	60	67	8	13
	OP 65 JIS N5, both sides tapped holes	145	85	120	Thru holes 12 mm	98	140	246	278	205	100	175	45	60	67	8	13
	OP 65 JIS N6 & N8, 1 tapped, 1 through	145	85	120	Neck side slotted	83	105	246	278	205	100	175	45	60	67	8	13
80 mm	LPWA JIS 80 N1, both sides tapped holes	160	101	135	(4) M 10 - 1.5	60	95	360	392	312	254	228	52	60	67	10	15
	LPWA JIS 80 N5, both sides tapped holes	160	101	135	Thru holes 12mm	105	165	360	392	312	254	228	52	60	67	10	15
	LPWA JIS 80 N6 & N8, 1 tapped, 1 through	160	101	135	Neck side slotted	80	130	360	392	312	254	228	52	60	67	10	15
100 mm	LPWA JIS 100 N1, both sides tapped holes	185	120	160	(8) M 10-1.5	60	95	373	405	312	254	228	52	60	100	10	15
	LPWA JIS 100 N5, both sides tapped holes	185	120	160	Thru holes slotted	105	165	373	405	312	254	228	52	60	100	10	15
	LPWA JIS 100 N6 & N8, 1 tapped, 1 through	185	120	160	Neck side slotted	80	130	373	405	312	254	228	52	60	100	10	15
150 mm	LPWA JIS 150 N1, both sides tapped holes	235	177	210	(8) M 10-1.5	60	105	518	550	432	406	257	57	89	114	14	21
	LPWA JIS 150 N5, both sides tapped holes	235	177	210	Thru holes slotted	105	181	518	550	432	406	257	57	89	114	14	21
	LPWA JIS 150 N6 & N8, 1 tapped, 1 through	235	177	210	Neck side slotted	80	143	518	550	432	406	257	57	89	114	14	21
200 mm	LPWA JIS 200 N1, both sides tapped holes	300	228	270	(8) M 12-1.75	82	111	636	668	518	406	318	67	86	140	25	30
	LPWA JIS 200 N5, both sides tapped holes	300	228	270	Thru holes slotted	120	200	636	668	518	406	318	67	86	140	25	30
	LPWA JIS 200 N6 & N8, 1 tapped, 1 through	300	228	270	Neck side slotted	104	156	636	668	518	406	318	67	86	140	25	30
250 mm	LPWA JIS 250 N1, both sides tapped holes	350	279	320	(12) M 12-1.75	82	117	745	777	602	533	458	50	79	121	50	59
	LPWA JIS 250 N5, both sides tapped holes	350	279	320	Thru holes slotted	120	206	745	777	602	533	458	50	79	121	50	59
	LPWA JIS 250 N6 & N8, 1 tapped, 1 through	350	279	320	Neck side slotted	104	162	745	777	602	533	458	50	79	121	50	59
300 mm	LPWA JIS 300 N1, both sides tapped holes	400	330	370	(12) M 12-1.75	82	117	770	802	602	533	458	50	79	121	58	68
	LPWA JIS 300 N5, both sides tapped holes	400	330	370	Thru holes slotted	120	206	770	802	602	533	458	50	79	121	58	68
	LPWA JIS 300 N6 & N8, 1 tapped, 1 through	400	330	370	Neck side slotted	104	162	770	802	602	533	458	50	79	121	58	68



Vacuum Research valves are available with dozens of options to allow you to select exactly the features you need for your vacuum system. The model number system illustrated below will accurately describe most valves, but if you have any questions about the best way to specify what you need, just call or fax our customer service department and we will be happy to help you. All Valves are (RoHS) 2015/863/EU Compliant.



Call our toll free number (800) 426-9340, or (412) 261-7630 to place orders or for customer service. Our FAX number is (412) 261-7220. Address orders by mail to Vacuum Research Corporation, 100 Chapel Harbor Drive, #4, Pittsburgh, PA 15238 USA. Prices in this catalog are FOB factory. CIF or C&F prices available. Contact factory for pro forma invoice or price quotation. Terms are Net 30 days.



Throttlemaster™ is a registered trademark of Vacuum Research Corporation • Kalrez® and Viton® are registered trademarks of Dupont Corp. • Conflat® is a registered trademark of Varian Associates • Chemraz® is a registered trademark of Green, Tweed & Co. • SolidWorks logo art property of Dassault Systèmes.