

Aluminum valves with (left to right): Electro Pneumatic, Manual, and Motor Actuators. Stainless Steel valves also available.

ANSI, ISO, JIS, or Special Flanges

These Vacuum Research 5 minute rebuild valves are available with virtually any flange or combination of flanges at no extra charge. Combinations of ISO on one flange and ANSI on the other are easily accommodated. Even different sizes such as 4 inch on one flange and 6 inch on the other.

Insertable "Flangeless" Valves

It is sometimes helpful to keep the flange-to-flange dimension ("A" dimension on the dimensions pages) as short as possible. In such cases your valves can be provided with no port flanges at all and with either O-Ring grooves machined into the valve body or with a precision machined surface on the body to seal against the O-rings on your pump or chamber. Contact the factory for prices.

Aluminum or Stainless Steel

Vacuum Research Bonnet Style valves are available in stainless steel or 6061 aluminum. Smooth surface finish gives low outgassing and fast pump down.

High Conductance

In addition to the oversize ports used in the LPWA Series for the last 40 years, we now offer the X-LPWA Series where a 4 inch valve has a 6 inch port, an 8 inch valve has a 10 inch port, etc. Conductance values are shown on page 39.

Fail Safe

All Vacuum Research Bonnet Style Valves can be installed for fast close on power failure and air operated valves can be manually positioned without air or electricity.

Long Life

More than 250,000 cycles for aluminum valves. That's one cycle every 2 minutes, 24 hours/day for a year.

SolidWorks *.STEP Files

Contact us to obtain SolidWorks 3D *.STEP format modeling files that plug formatted VRC valve 3-D models into your computer-aided design projects.



Less Outgassing Than Stainless Steel

Dozens of papers show the 6000 Series aluminum used in VRC valves outgasses up to 2 orders of magnitude less than 300 Series stainless steel and of course no hydrogen. A bibliography of 70 peer reviewed papers about out-gassing compiled by Dr. M. Wong at Fermi Labs can be found at http://home.fnal.gov/~ml-wong/outgas_rev.htm. See page 40 for more information

Vacuum & Pressure

Vacuum Research valves stay sealed with vacuum or atmosphere on either side.

Satisfaction Guaranteed

Vacuum Research has been building high vacuum valves for almost 50 years and has earned a reputation for world class product quality and customer service. If you are not satisfied with our valve just send it back.

No Leaks

All Vacuum Research valves have total leak rates of less than 5 X 10⁻¹⁰ std cc/sec. By total leak we mean that each completed valve is tested in a He filled bag.

RoHS Compliant

All Valves are (RoHS) 2015/863/EU Compliant and carry the mark.

Electric Motor, Air or Manual Actuators

All Vacuum Research gate valves are available with 3 types of actuators. Manual actuators are the least expensive. Electro-pneumatic actuators use 70 psi (4.9 kg/cm) compressed air and include the solenoid (specify the solenoid voltage that is most convenient for you). Electric motor actuators use high torque servo motors and operate from 115V or 230V, 1Ø 50 or 60 Hz. CE Mark included.

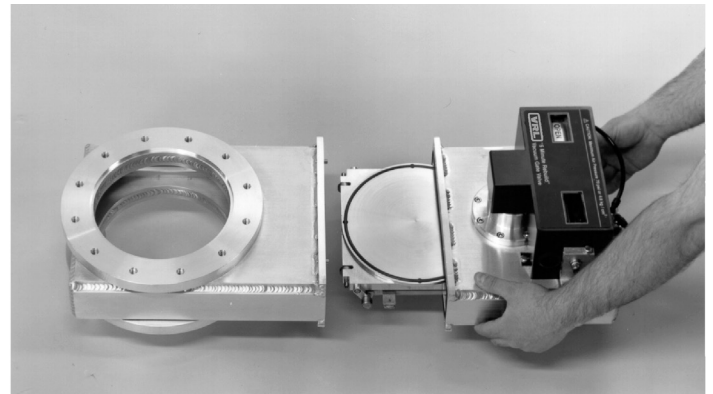
Roughing and Gauge Ports

There are six locations for optional gauge and roughing ports described on page 43.

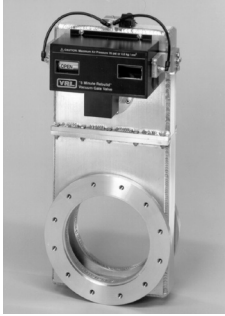
Position Indicators, Limit Switches

Visual indication of valve position is included on all valves. Limit switches for remote indication are available and are described on the Optional Features pages in the Accessories & Parts section.

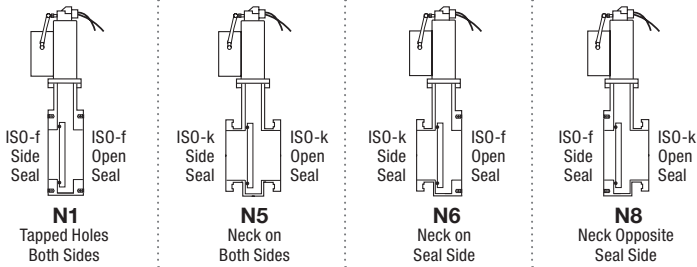
Complete Rebuild in 5 Minutes.



With no special tools or training you can replace every moving part in your Vacuum Research Bonnet Style Valve in 5 minutes. (Our best guys can do it in less time, but they practice.)



- Less Outgassing Than Stainless Steel (See Page 40)
- 250,000 Cycle Rotary Shaft Seal; Million Cycle Available
- Large Port, ISO Flanges; 6 Roughing Port Options
- All Valves (RoHS) 2015/863/EU Compliant
- Helium Leak Less Than 5×10^{-10} scc/sec
- Operate Manually If Air or Power Fail
- Vacuum & Pressure; Optional Seal to 3 ATM.
- Optional Operation to 10 Bar, 147 PSIG



For valves with ports up to 200 mm the actuator is on the same side as the gate seal, valves with ports 250 mm and larger have the actuator opposite the gate seal side.

Stainless Steel Gates in Aluminum Valves: To specify a stainless steel gate in an aluminum valve add a suffix to the model number "SS Gate". Refer to the "Optional Features and Accessories" section for pricing information.

ORDERING INFORMATION

Model Number: Refer to page 2 for instructions on how to specify the features you need.

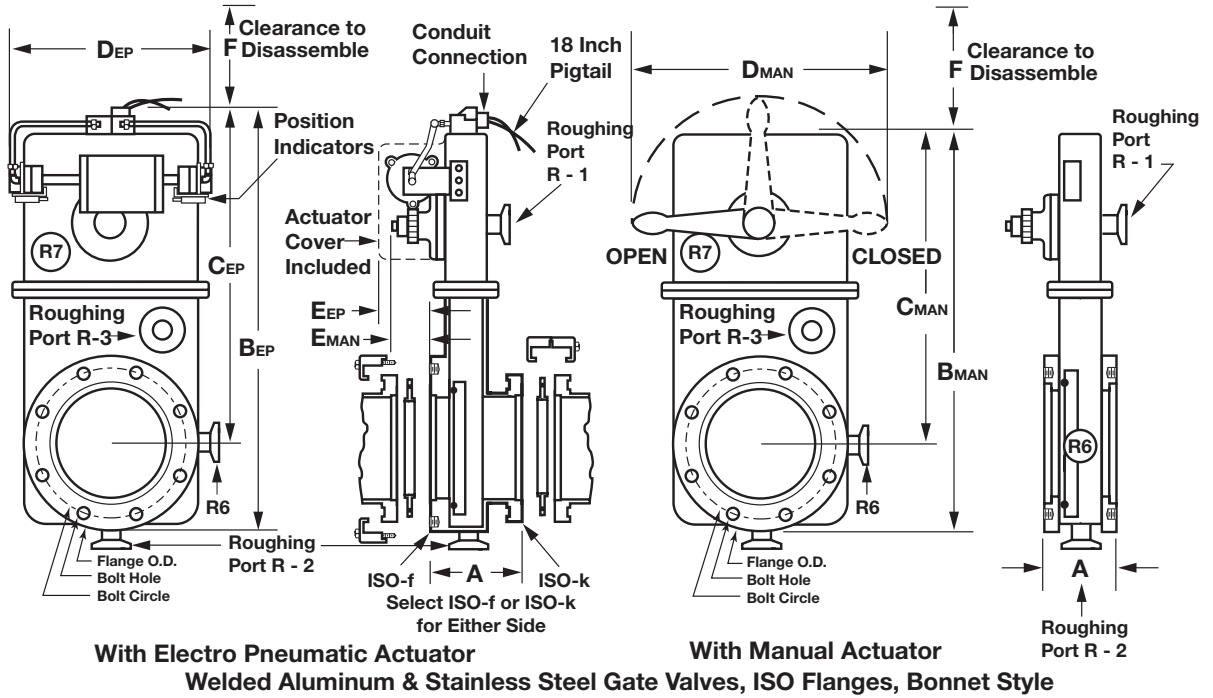
Electric Motor Actuators: Any Vacuum Research valve can be supplied with a high torque electric motor actuator. Refer to "Electric Motor Actuator" Page in the Accessories and Parts section.

Special Features: Refer to page 40-43 for specifications for roughing and gauge ports, position indicators & other special features.

Viton® or Kalrez® or Silicone O-Rings: Our standard Valves use a Viton® O-Ring for the gate seal and Buna-N O-Rings for all other locations. You may specify Viton® (or other materials throughout the valve with a "V", "S", or "K" in the model number. For Viton® add the following to the price. (For Silicone or Kalrez® contact the factory for prices.)

63 or 80 mm valves	\$81	200 mm valves	\$240
100 mm valves	\$122	250 mm valves	\$313
160 mm valves	\$153	320 mm valves	\$403

Nominal Size	Electro-Pneumatic Operator "EP" Suffix				Manual Operator "M" Suffix			
	Aluminum Model & Neck Style	Price	Stainless Steel Model & Neck Style	Price	Aluminum Model & Neck Style	Price	Stainless Steel Model & Neck Style	Price
63 mm One piece style	OP-63-ISO-N1-EP	\$2,333	OPSS-63-ISO-N1-EP	\$6,205	OP-63-ISO-N1-M	\$2,000	OPSS-63-ISO-N1-M	\$5,832
	OP-63-ISO-N5-EP	\$2,616	OPSS-63-ISO-N5-EP	\$6,497	OP-63-ISO-N5-M	\$2,277	OPSS-63-ISO-N5-M	\$6,124
	OP-63-ISO-N6-EP	\$2,447	OPSS-63-ISO-N6-EP	\$6,351	OP-63-ISO-N6-M	\$2,075	OPSS-63-ISO-N6-M	\$6,624
	OP-63-ISO-N8-EP	\$2,447	OPSS-63-ISO-N8-EP	\$6,351	OP-63-ISO-N8-M	\$2,075	OPSS-63-ISO-N8-M	\$6,624
80 mm	LPWA-80-ISO-N1-EP	\$2,627	LPSS-80-ISO-N1-EP	\$7,139	LPWA-80-ISO-N1-M	\$2,288	LPSS-80-ISO-N1-M	\$6,988
	LPWA-80-ISO-N5-EP	\$2,793	LPSS-80-ISO-N5-EP	\$7,503	LPWA-80-ISO-N5-M	\$2,529	LPSS-80-ISO-N5-M	\$7,131
	LPWA-80-ISO-N6-EP	\$2,937	LPSS-80-ISO-N6-EP	\$7,422	LPWA-80-ISO-N6-M	\$2,577	LPSS-80-ISO-N6-M	\$7,050
	LPWA-80-ISO-N8-EP	\$2,937	LPSS-80-ISO-N8-EP	\$7,422	LPWA-80-ISO-N8-M	\$2,577	LPSS-80-ISO-N8-M	\$7,050
100 mm	LPWA-100-ISO-N1-EP	\$2,799	LPSS-100-ISO-N1-EP	\$7,225	LPWA-100-ISO-N1-M	\$2,436	LPSS-100-ISO-N1-M	\$6,854
	LPWA-100-ISO-N5-EP	\$3,086	LPSS-100-ISO-N5-EP	\$7,474	LPWA-100-ISO-N5-M	\$2,723	LPSS-100-ISO-N5-M	\$7,102
	LPWA-100-ISO-N6-EP	\$2,937	LPSS-100-ISO-N6-EP	\$7,423	LPWA-100-ISO-N6-M	\$2,577	LPSS-100-ISO-N6-M	\$7,051
	LPWA-100-ISO-N8-EP	\$2,937	LPSS-100-ISO-N8-EP	\$7,423	LPWA-100-ISO-N8-M	\$2,577	LPSS-100-ISO-N8-M	\$7,051
160 mm	LPWA-160-ISO-N1-EP	\$3,235	LPSS-160-ISO-N1-EP	\$8,394	LPWA-160-ISO-N1-M	\$2,516	LPSS-160-ISO-N1-M	\$7,226
	LPWA-160-ISO-N5-EP	\$3,709	LPSS-160-ISO-N5-EP	\$8,831	LPWA-160-ISO-N5-M	\$2,934	LPSS-160-ISO-N5-M	\$7,623
	LPWA-160-ISO-N6-EP	\$3,430	LPSS-160-ISO-N6-EP	\$8,612	LPWA-160-ISO-N6-M	\$2,690	LPSS-160-ISO-N6-M	\$7,425
	LPWA-160-ISO-N8-EP	\$3,430	LPSS-160-ISO-N8-EP	\$8,612	LPWA-160-ISO-N8-M	\$2,690	LPSS-160-ISO-N8-M	\$7,425
200 mm	LPWA-200-ISO-N1-EP	\$5,270	LPSS-200-ISO-N1-EP	\$10,145	LPWA-200-ISO-N1-M	\$4,716	LPSS-200-ISO-N1-M	\$9,414
	LPWA-200-ISO-N5-EP	\$5,683	LPSS-200-ISO-N5-EP	\$10,612	LPWA-200-ISO-N5-M	\$5,117	LPSS-200-ISO-N5-M	\$10,167
	LPWA-200-ISO-N6-EP	\$5,474	LPSS-200-ISO-N6-EP	\$10,378	LPWA-200-ISO-N6-M	\$4,915	LPSS-200-ISO-N6-M	\$9,933
	LPWA-200-ISO-N8-EP	\$5,474	LPSS-200-ISO-N8-EP	\$10,378	LPWA-200-ISO-N8-M	\$4,915	LPSS-200-ISO-N8-M	\$9,933
250 mm	LPWA-250-ISO-N1-EP	\$6,447	LPSS-250-ISO-N1-EP	\$15,909	LPWA-250-ISO-N1-M	\$5,830	LPSS-250-ISO-N1-M	\$15,013
	LPWA-250-ISO-N5-EP	\$6,995	LPSS-250-ISO-N5-EP	\$16,407	LPWA-250-ISO-N5-M	\$6,328	LPSS-250-ISO-N5-M	\$15,509
	LPWA-250-ISO-N6-EP	\$6,736	LPSS-250-ISO-N6-EP	\$16,158	LPWA-250-ISO-N6-M	\$6,080	LPSS-250-ISO-N6-M	\$15,729
	LPWA-250-ISO-N8-EP	\$6,736	LPSS-250-ISO-N8-EP	\$16,158	LPWA-250-ISO-N8-M	\$6,080	LPSS-250-ISO-N8-M	\$15,729
320 mm	LPWA-320-ISO-N1-EP	\$8,050	LPSS-320-ISO-N1-EP	\$18,757	LPWA-320-ISO-N1-M	\$7,386	LPSS-320-ISO-N1-M	\$18,296
	LPWA-320-ISO-N5-EP	\$8,544	LPSS-320-ISO-N5-EP	\$20,063	LPWA-320-ISO-N5-M	\$7,861	LPSS-320-ISO-N5-M	\$18,822
	LPWA-320-ISO-N6-EP	\$8,276	LPSS-320-ISO-N6-EP	\$19,283	LPWA-320-ISO-N6-M	\$7,605	LPSS-320-ISO-N6-M	\$18,559
	LPWA-320-ISO-N8-EP	\$8,276	LPSS-320-ISO-N8-EP	\$19,283	LPWA-320-ISO-N8-M	\$7,605	LPSS-320-ISO-N8-M	\$18,559
400 mm	LPWA-400-ISO-N1-EP	Contact	LPSS-400-ISO-N1-EP	Contact Factory	LPWA-400-ISO-N1-M	Contact	LPSS-400-ISO-N1-M	Contact Factory
	Contact factory for prices of 400 mm aluminum valves with N5, N6, and N8 neck styles, and for all 400 mm stainless steel valves.							

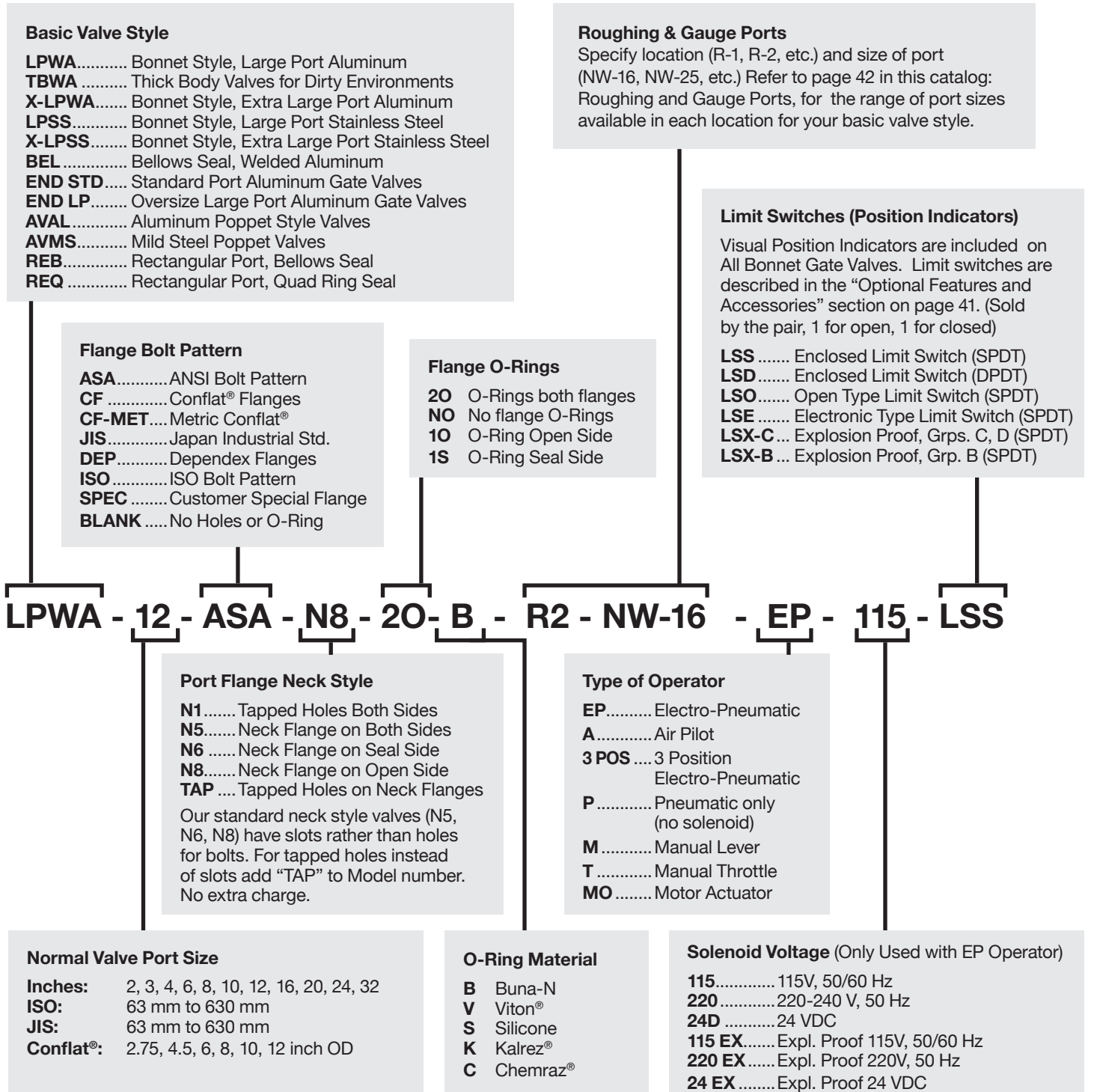


All dimensions in millimeters. Roughing ports and position indicator limit switches optional. Centering rings not included. For valves with ports up to 200 mm the actuator is on the same side as the gate seal, valves with ports 250 mm and larger have the actuator opposite the gate seal side.

ISO Port Size	Model No. ISO Flange	Port Dia.	Flange O.D.	Bolt Circle	(number of bolts) size - pitch	A Flange to Flange		B _{MAN} Manual Overall Weight	B _{EP} EP Overall Weight	C _{EP} Port CL to top of Valve	D _{MAN} Manual Overall Width	D _{EP} EP Overall Width	E _{MAN} Manual	E _{EP} EP	F Dis-assembly Clearance	Weight kgs. Aluminum	
						Stain-less	Alumi-num									Net	Ship
63mm one piece style	OP 63 N1, both sides ISO-f	70	130	110	(4) M 8-1.25	75	70	238	270	205	100	175	45	60	67	8	13
	OP 63 N5, both sides ISO-k	70	95	110	No bolts, ISO-k	120	105	238	270	205	100	175	45	60	67	8	13
	OP 63 N6 & N8, ISO-f & ISO-k	70	130/95	110	(4) M 8-1.25	95	90	238	270	205	100	175	45	60	67	8	13
80 mm	LPWA 80 N1, both sides ISO-f	83	145	125	(8) M 8-1.25	75	95	353	385	312	254	228	52	60	67	10	15
	LPWA 80 N5, both sides ISO-k	83	110	125	No bolts, ISO-k	120	127	353	385	312	254	228	52	60	67	10	15
	LPWA 80 N6 & N8, ISO-f & ISO-k	83	145/110	125	(8) M 8-1.25	95	111	353	385	312	254	228	52	60	67	10	15
100 mm	LPWA 100 N1, both sides ISO-f	102	165	145	(8) M 8-1.25	75	95	362	394	312	254	228	52	60	100	10	15
	LPWA 100 N5, both sides ISO-k	102	130	145	No bolts, ISO-k	120	127	362	394	312	254	228	52	60	100	10	15
	LPWA 100 N6 & N8, ISO-f & ISO-k	102	165/130	145	(8) M 8-1.25	95	111	362	394	312	254	228	52	60	100	10	15
160 mm	LPWA 160 N1, both sides ISO-f	153	225	200	(8) M 10-1.5	91	105	513	544	432	406	257	57	89	114	14	21
	LPWA 160 N5, both sides ISO-k	153	180	200	No bolts, ISO-k	135	143	513	544	432	406	257	57	89	114	14	21
	LPWA 160 N6 & N8, ISO-f & ISO-k	153	225/180	200	(8) M 10-1.5	111	127	513	544	432	406	257	57	89	114	14	21
200 mm	LPWA 200 N1, both sides ISO-f	213	285	260	(12) M 10-1.5	98	111	629	660	518	406	318	67	86	140	25	30
	LPWA 200 N5, both sides ISO-k	213	240	260	No bolts, ISO-k	143	155	629	660	518	406	318	67	86	140	25	30
	LPWA 200 N6 & N8, ISO-f & ISO-k	213	285/240	260	(12) M 10-1.5	124	127	629	660	518	406	318	67	86	140	25	30
250 mm	LPWA 250 N1, both sides ISO-f	261	335	310	(12) M 10-1.5	105	117	738	770	602	533	458	50	79	121	50	59
	LPWA 250 N5, both sides ISO-k	261	290	310	No bolts, ISO-k	155	219	738	770	602	533	458	50	79	121	50	59
	LPWA 250 N6 & N8, ISO-f & ISO-k	261	335/290	310	(12) M 10-1.5	127	168	738	770	602	533	458	50	79	121	50	59
320 mm	LPWA 320 N1, both sides ISO-f	318	425	395	(12) M 12-1.75	105	117	783	815	602	533	458	50	79	121	58	68
	LPWA 320 N5, both sides ISO-k	318	370	395	No bolts, ISO-k	155	219	783	815	602	533	458	50	79	121	58	68
	LPWA 320 N6 & N8, ISO-f & ISO-k	318	425/370	395	(12) M 12-1.75	127	168	783	815	602	533	458	50	79	121	58	68
400 mm	LPWA 400 N1, ISO-f	400	510	480	(16) M 12-1.75	146	165	1060	1092	792	559	584	140	168	178	91	159
Contact factory for dimensions of 400 mm valves with N5, N6, and N8 neck styles																	



Vacuum Research valves are available with dozens of options to allow you to select exactly the features you need for your vacuum system. The model number system illustrated below will accurately describe most valves, but if you have any questions about the best way to specify what you need, just call or fax our customer service department and we will be happy to help you. All Valves are (RoHS) 2015/863/EU Compliant.



Call our toll free number (800) 426-9340, or (412) 261-7630 to place orders or for customer service. Our FAX number is (412) 261-7220. Address orders by mail to Vacuum Research Corporation, 100 Chapel Harbor Drive, #4, Pittsburgh, PA 15238 USA. Prices in this catalog are FOB factory. CIF or C&F prices available. Contact factory for pro forma invoice or price quotation. Terms are Net 30 days.



Throttlemaster™ is a registered trademark of Vacuum Research Corporation • Kalrez® and Viton® are registered trademarks of Dupont Corp. • Conflat® is a registered trademark of Varian Associates • Chemraz® is a registered trademark of Green, Tweed & Co. • SolidWorks logo art property of Dassault Systèmes.