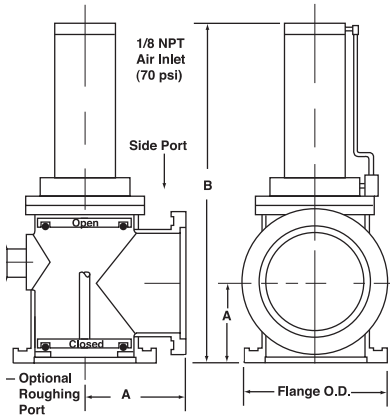




- Less Outgassing Than Stainless, See Page 40
- 6061 Aluminum Poppet Valves
- Over 100,000 Cycles Without Maintenance
- Optional Operation to 10 Bar, 147 PSIG
- 150 lb. ANSI Flanges Standard
- ISO and Special Flanges Available
- Flanges to Match Diffusion & Cryo Pumps
- 3 Port Valves Available in All Sizes
- Leak Tested To Better Than  $5 \times 10^{-10}$  scc/sec
- Automatic Closure on Power Failure
- All Valves (RoHS) 2015/863/EU Compliant



The standard configuration is with O-Rings on both flanges. However, valves can be provided without O-Rings, or with an O-Ring on only one side for no additional cost. If only one O-Ring is needed specify "open" or "seal" side.

### ORDERING INFORMATION

**Model Number:** Refer to page 2 for instructions on how to specify the features you need.

**Electronic Position Indicators:** Two reed switches activated by a magnet inside pneumatic actuator provide closure for open & closed position. Add 'LSE' to Model No., see page 41 for specifications ..... \$221/pair

**Roughing Ports or Gauge Ports:** Standard location is 180° from side port as shown in drawing. Other locations and more than one port are available.

#### Available on Any Size valve

NW-16 .....	\$214	NW-40 .....	\$268
NW 25 .....	\$235	NW 50 (Not on 2" ..)	\$287

#### Available on 6" or Larger Valves

ANSI 2 in.....	\$571	ISO k 63.....	\$386
ANSI 3 in .....	\$621	ISO k 80.....	\$501
ANSI 4 in.....	\$760	ISO k 100.....	\$546

**Special Features:** Refer to pages 40-43 for information on special features and accessories.

**Viton® or Kalrez® or Silicone O-Rings:** Our standard Poppet Valves use Buna-N O-Rings. You may specify Viton® (or other materials) throughout the valve with a "V", "S", or "K" in the model number. For Viton® add the following to the price. (For Silicone or Kalrez® contact the factory for prices.)

2 or 3 in. valves .....	\$81	8 in. valves .....	\$240	16 in. valves .....	Contact Factory
4 in. valves .....	\$122	10 in. valves .....	\$313	20 in. valves .....	Contact Factory
6 in. valves .....	\$153	12 in. valves .....	\$403		

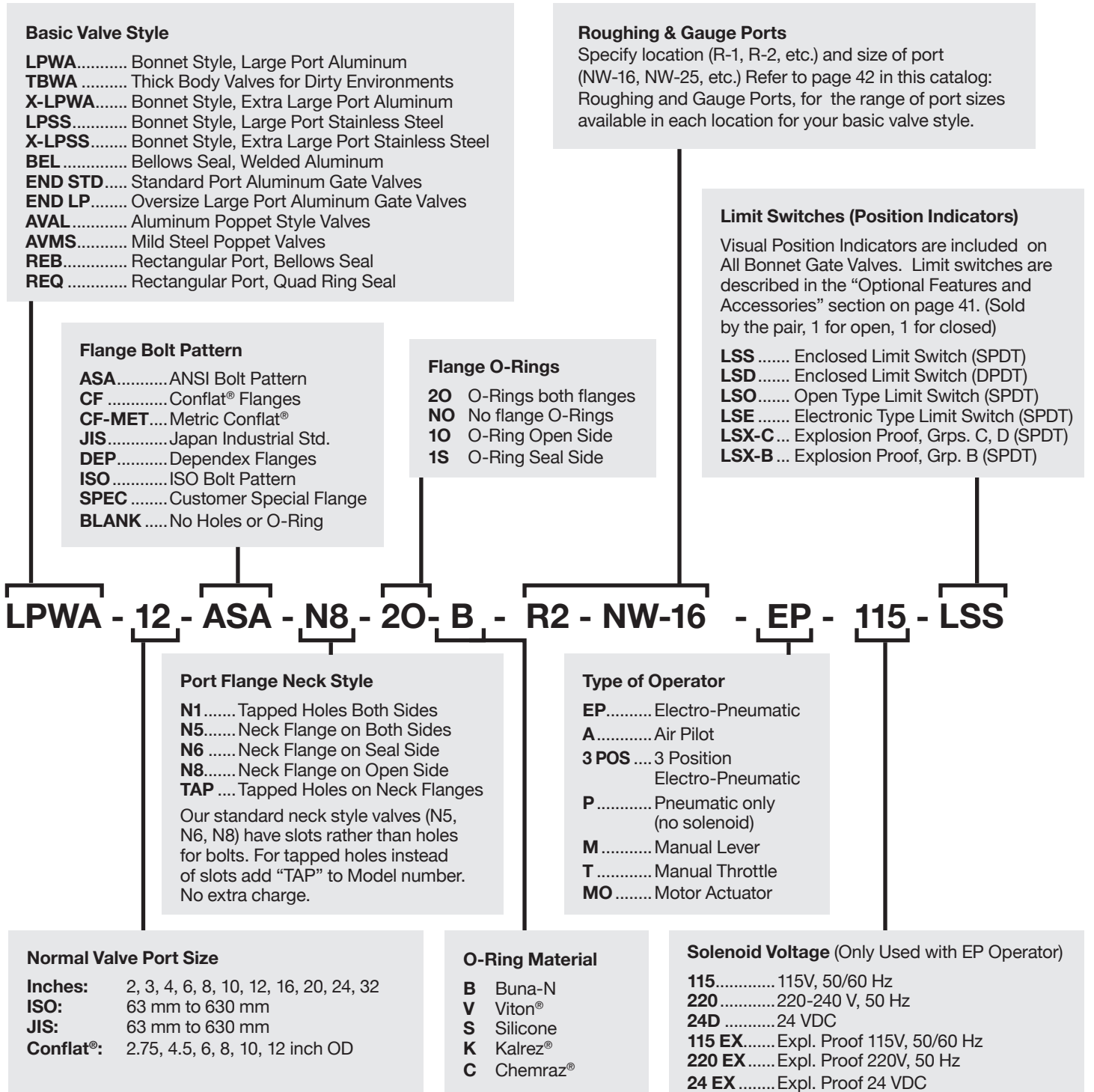
Poppet valves with port sizes from 10 inch to 24 inch are designed to seal with vacuum on the bottom port and atmosphere on the side port. If you need to seal the valve with atmosphere on the bottom port (pushing the valve open) specify this on your inquiry and a larger cylinder will be provided.

Nominal Size	Model No.	Bottom Port Diam.	Side Port Diam.	Both Flanges				Flange Face to Flange CL		C Overall Height	Roughing Port Max. Size	Aluminum Weight, lbs (kg)		Alum. Price	
				Flange O.O.	Bolt Circle	Bolt Holes Tapped Holes Optional	Flange O-Rings	A	B			Net	Ship		
2 inch	AV-2	2.00	2.50	6.00	4.75	(4) 1/16	2.75 x .210	3.688	3.125	12.50	NW-40	7 (3.2)	12 (5.5)	\$1,988	
3 inch	AV-3	3.00	3.188	7.50	6.00	(4) 1/16	4.00 x .210	4.50	4.125	17.125	NW-50	13 (5.9)	18 (8.2)	\$2,390	
4 inch	AV-4	4.00	4.188	9.00	7.50	(8) 1/16	5.50 x .275	5.50	4.625	19.50	NW-50	15 (6.8)	24 (11)	\$2,973	
6 inch	AV-6	6.00	6.188	11.00	9.50	(8) 13/16	7.50 x .275	6.25	6.375	30.40	4 in / ISO 100	28(12.7)	42 (19)	\$3,348	
8 inch	AV-8	8.00	8.50	13.50	11.75	(8) 13/16	9.00 x .275	8.25	7.00	30.375	4 in / ISO 100	55 (25)	75 (34)	\$5,580	
10 inch	AV-10	10.00	10.344	16.00	14.25	(12) 15/16	12.00 x .275	9.16	9.25	35.50	6 in / ISO 160	70 (31.8)	95 (43)	\$6,961	
12 inch	AV-12	12.00	12.00	19.00	17.00	(12) 15/16	14.50 x .275	12.00	8.63	40.00	8 in / ISO 200	95 (43)	130 (59)	\$8,526	
16 inch	AV-16	16.00	16.00	23.50	21.25	(16) 1-1/8	17.50 x .275	14.00	9.25	43.30	8 in / ISO 200	125 (49)	180 (71)	Contact	
20 inch	AV-20	20.00	20.00	27.50	25.00	(20) 1-1/8	21.00 x .275	16.00	14.00	58.90	8 in / ISO 200	280 (127)	335 (152)	Contact	
24 inch	AV-24	24.00	24.00	32.00	29.50	(20) 1-1/8	21.00 x .275	17.50	17.50	66.00	8 in / ISO 200	270 (122)	330 (150)	Contact	
2 inch	Low Profile 2532-2	2.25	2.25	6.00	4.75	(4) 1/16	2.75 x .210	4.06	2.13	12.50	NW-40	7 (3.2)	12 (5.5)	\$1,990	
3 inch		2532-3	3.00	3.00	7.50	6.00	(4) 1/16	4.00 x .210	4.81	2.60	17.10	NW-50	13 (5.9)	18 (8.2)	\$2,390
4 inch		2532-4	4.00	4.00	9.00	7.50	(8) 1/16	5.5 x .275	5.63	3.44	19.50	NW-50	15 (6.8)	24 (11)	\$3,164
6 inch		2532-4	6.00	6.00	11.00	9.50	(8) 13/16	7.5 x .275	7.06	4.63	23.30	NW-50	28 (12.7)	42 (19)	\$3,348

Dimensions shown in inches



Vacuum Research valves are available with dozens of options to allow you to select exactly the features you need for your vacuum system. The model number system illustrated below will accurately describe most valves, but if you have any questions about the best way to specify what you need, just call or fax our customer service department and we will be happy to help you. All Valves are (RoHS) 2015/863/EU Compliant.



Call our toll free number (800) 426-9340, or (412) 261-7630 to place orders or for customer service. Our FAX number is (412) 261-7220. Address orders by mail to Vacuum Research Corporation, 100 Chapel Harbor Drive, #4, Pittsburgh, PA 15238 USA. Prices in this catalog are FOB factory. CIF or C&F prices available. Contact factory for pro forma invoice or price quotation. Terms are Net 30 days.



Throttlemaster™ is a registered trademark of Vacuum Research Corporation • Kalrez® and Viton® are registered trademarks of Dupont Corp. • Conflat® is a registered trademark of Varian Associates • Chemraz® is a registered trademark of Green, Tweed & Co. • SolidWorks logo art property of Dassault Systèmes.