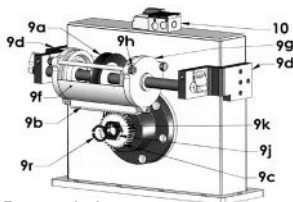
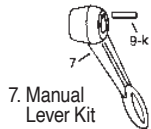
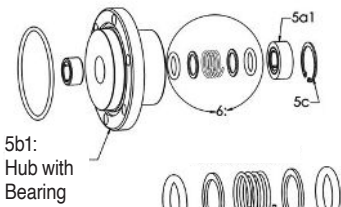
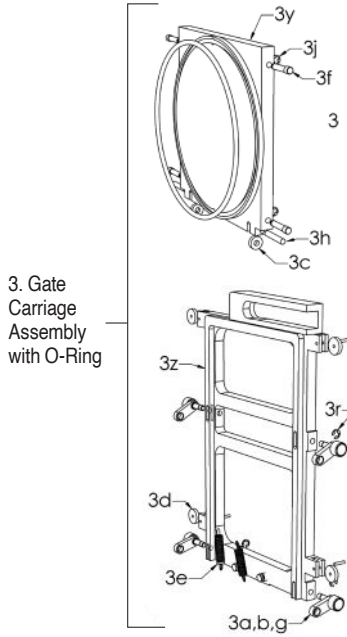
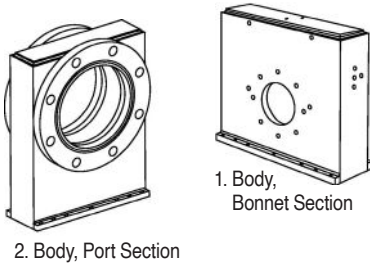


VALVE PARTS

Description	LP-2 & LP-3 Built May 1990 or later		LP-4	
	P/N	PRICE	P/N	PRICE
Clean & Test Valves (freight pre-paid) to Pittsburgh, PA		\$145.00		\$145.00
O-Rings				
Kit BUNA-N , 2 ea. Stem O-Rings, 1 ea. Hub Gate & Body.	X701200B	36.00	X701400B	38.00
Kit VITON , 2 ea. Stem O-Rings, 1 ea. Hub Gate & Body.	X701200V	89.00	X701400V	133.00
Kit SILICONE , 2 ea. Stem O-Rings, 1 ea. Hub Gate & Body.	X701200S	89.00	X701400S	133.00
Piston & Seal Kit for 'EP' Actuator	X701204B	68.00	X701404B	68.00
Piston T-Seal & Seal Kit for 'EP' Actuator	X701201B	68.00	X701401B	68.00
3. Gate-Carriage Assembly with O-Ring	X706103rev1	535.00	X706203rev2	678.00
3 Kit of 4 ea. Carriage Shaft, Roller & Link Assembly with Bushings & Retaining Ring	X806500	149.00	X806500	149.00
3c. Gate Rollers - Set of 2	X706102	29.00	X706202	54.00
3d. Carriage Side Rollers - Set of 4	X706108	37.00	X706108	37.00
3e. Sprint (set)	X706106	14.00	X706206	14.00
3f. Gate Link Shafts - Set of 4	X706110rev1	66.00	X706110rev1	66.00
3h. Roll Pin-Set of 6 (2 Gate, 4 Carriage)	X706105	6.00	X706205	7.00
3j. Retaining Ring (Gate Shafts) Set/4	X706119	4.00	X706119	4.00
3r. Retain, Ring (Carriage Shafts) Set/4	X706119	4.00	X706119	4.00
3y. Gate w/o Shafts, Links, Rollers	X02WA116	332.00	X04WA116	340.00
3z. Carriage w/o Shafts, Links	X02LP117rev1	181.00	X04LP117rev1	198.00
4. Stem-Crank Assembly with Key, Retaining Ring & Nut	X706116rev2	24.00	X706216rev2	275.00
5. Hub Assembly	X706WA117	210.00	X706210rev1	290.00
5-a1. Gland spacer with bearing	X02LP108A-WB	60.00	X04LP108A-WB	72.00
5-b1. Hub for LP 2 & 3 (spacer design) w/o seal kit	X02WA118REV1	136.00		
5-b1. Modified Hub for Bearing for LP-4			X04LP118R2	227.00
5-c. Hub retaining Ring (internal type)	X702176	4.00	X702177	4.00
6. Steam Seal Kit: 2 O-Rings, (BUNA-N)	X706118	18.00	X706318	18.00
Stem Seal Kit: 2 washers, 1 spring (VITON)	X706118V	30.00	X706318V	35.00
7. Manual Lever Kit: Handle, Washer, Key Retaining	X706112rev1	114.00	X706312rev1	121.00
8. Body Bolts, S.S. Complete set with nuts	1/4-20X1 (8)	18.00	X702708	18.00
1/4-20X1 (8 required)	X702015	(ea) 2.00	X702016	(ea) 2.00
1/4-20 Hex Nuts (8 required)	X702021	(ea) 2.00	X702021	(ea) 2.00
9. Pneumatic Operator (without solenoid)	X806104rev1	512.00	X806204rev1	816.00
Actuator Cylinder Assy. - 9a,b,f,g,h, seals,p-cup	X706004	422.00	X706005	526.00
9a. Piston Assembly (w/o O-Rings & Piston Cup)	X02LP200	227.00	X04LP200	272.00
9b. Rack Assembly	X706114	88.00	X706214	126.00
9c. Pinion Gear Assembly	X706126	100.00	X706226	158.00
9d. Mounting Brackets (2)	X706131	152.00	X706231	301.00
9e. Cylinder Air Lines (2)	X701101	25.00	X701101	25.00
9f. Cylinder	X02LP150	70.00	X04LP150	78.00
9g. Cylinder End Caps	X706132	77.00	X706232	100.00
9h. Cylinder Studs & Nuts	X706130	65.00	X706230	796.00
9i. Guard OSHA Style	X02WA152	506.00	X04LP152	182.00
9j. Hex Nut	X02LP202	31.00	X04LP202	31.00
9k. Key	X02LP203	7.00	X04LP203	9.00
9r. Retaining ring (ext. fits stem crank)	X702170	4.00	X702171	4.00
10. Solenoid Valve only (specify voltage)				
24 VDC Solenoid	X706086	Contact	X706086	Contact
115 VAC Solenoid	X706100	Contact	X706100	Contact
220 VAC Solenoid	X703003	Contact	X703003	Contact
Mounting Hardware, Hose & Fittings (solenoid)	X806111	54.00	X806111	54.00



VALVE PARTS

Description	LP-6 & LP-8		LP-10 & LP-12	
	P/N	PRICE	P/N	PRICE
Clean & Test Valves (freight pre-paid) to Pittsburgh, PA		\$235.00		\$235.00
O-Rings				
Kit BUNA-N , 2 ea. Stem O-Rings, 1 ea. Hub Gate & Body.	X701600B (6 in.) X701800B (8 in.)	78.00 80.00	X7011000B (10 in.) X7011200B (12 in.)	114.00 116.00
Kit VITON , 2 ea. Stem O-Rings, 1 ea. Hub Gate & Body.	X701600V (6 in.) X701800V (8 in.)	215.00 246.00	X7011000V (10 in.) X7011200V (12 in.)	319.00 319.00
Kit SILICONE , 2 ea. Stem O-Rings, 1 ea. Hub Gate & Body.	X701600S (6 in.) X701800S (8 in.)	215.00 246.00	X7011000S (10 in.) X7012000S (12 in.)	319.00 319.00
Piston & Seal Kit for 'EP' Actuator	X701404B	68.00	X7011004B	91.00
Piston T-Seal & Seal Kit for 'EP' Actuator	X701401B	68.00	X7011001B	91.00
3. Gate-Carriage Assembly with O-Ring	X706303rev2	799.00	X706403	N/A
3 Kit of 4 ea. Carriage Shaft, Roller & Link a,b,g Assembly with Bushings & Retaining Ring	X806500	149.00	X806501	648.00
3c. Gate Rollers - Set of 2	X706302	47.00	X706402	77.00
3d. Carriage Side Rollers - Set of 4	X706108	37.00	X706408	86.00
3e. Sprint (set)	X706306	28.00	X706406	37.00
3f. Gate Link Shafts - Set of 4	X706110rev1	66.00	X706410rev1	190.00
3h. Roll Pin-Set of 6 (2 Gate, 4 Carriage)	X706205rev1	9.00	X706405	9.00
3j. Retaining Ring (Gate Shafts) Set/4	X706119	4.00	X706419	4.00
3r. Retain, Ring (Carriage Shafts) Set/4	X706119	4.00	X706419	4.00
3y. Gate w/o Shafts, Links, Rollers	X406116	347.00	X10LP116rev1	N/A
3z. Carriage w/o Shafts, Links	X06LP117rev1S	384.00	X10LP117rev1	N/A
4. Stem-Crank Assembly with Key, Retaining Ring & Nut	X706316rev2	272.00	X706416rev1	628.00
5. Hub Assembly	X706317rev1	305.00	X706417rev1	336.00
5-a1. Gland spacer with bearing	X04LP108A-WB	60.00	X10LP108A-WB	66.00
5-b1. Modified Hub for Bearing for LP-4	X06LP118R2	241.00	X10LP118R2	265.00
5-c. Hub retaining Ring (internal type)	X702177	4.00	X702177	4.00
6. Steam Seal Kit: 2 O-Rings, (BUNA-N)	X706318	18.00	X706418	35.00
Stem Seal Kit: 2 washers, 1 spring (VITON)	X706318V	35.00	X706418V	63.00
7. Manual Lever Kit: Handle, Washer, Key Retaining	X706312rev1	121.00	X706412rev1	130.00
8. Body Bolts, S.S. Complete set with nuts	X702710	18.00	X702818	31.00
1/4-20X1 (8 required)	X702016	2.00	X702018	3.00
1/4-20 Hex Nuts (8 required)	X702021	2.00	X702021	2.00
9. Pneumatic Operator (without solenoid)	X806304rev2	912.00	X806404rev1	N/A
Actuator Cylinder Assy. - 9a,b,f,g,h, seals,p-cup	X706006	534.00	X706415	792.00
9a. Piston Assembly (w/o O-Rings & Piston Cup)	X06LP200	256.00	X10LP200rev1	378.00
9b. Rack Assembly	X706314	127.00	X706414	144.00
9c. Pinion Gear Assembly	X706326	168.00	X706426	430.00
9d. Mounting Brackets (2)	X706231	301.00	X706431	N/A
9e. Cylinder Air Lines (2)	X701101	25.00	X701101	25.00
9f. Cylinder	X06LP150	84.00	X10LP150	102.00
9g. Cylinder End Caps	X706232	100.00	X706432	241.00
9h. Cylinder Studs & Nuts	X706330	86.00	X706430	91.00
9i. Guard OSHA Style	X06WA152	205.00	X10LP152	N/A
9j. Hex Nut	X04LP202	31.00	X10LP202	38.00
9k. Key	X04LP203	9.00	X04LP203	9.00
9r. Retaining ring (ext. fits stem crank)	X702171	4.00	X702172	4.00
10. Solenoid Valve only (specify voltage)				
24 VDC Solenoid	X706086	Contact	X706086	Contact
115 VAC Solenoid	X706100	Contact	X706100	Contact
220 VAC Solenoid	X703003	Contact	X703003	Contact
Mounting Hardware, Hose & Fittings (solenoid)	X806111	54.00	X806111	54.00