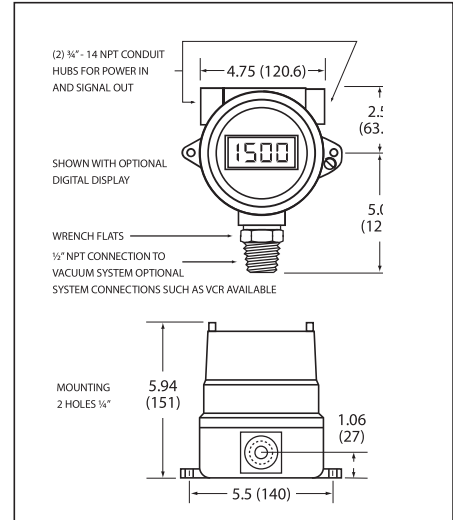




Dust and Water Proof Enclosure Rated IP-65, shown with optional display.

## Available in 3 Ranges

- 1 to 1500 Torr Stainless Steel Diaphragm
- 1 to 2000 mTorr & .01 to 20 Torr Pirani Gauges
- Linear 0 to 10 VDC and 4-20 mA Outputs
- Power Required 12 to 35 Volt DC, 200 mA



### SS Diaphragm Gauge 1 to 1500 Torr 1 to 2000 mbar 0.1 to 200 kPa

#### Specifications

**Measurement Range:** 1 to 1500 Torr (1 to 2000 mbar and 0.1 to 200 kPa).

**Calibration:** Any gas.

**Resolution:** ± 1 Torr.

**Response Time:** Less than 1 sec. for 90% of an increase in pressure. ≈ 1.5 sec. for decrease from atmosphere to 1 Torr.

**Power:** 12 to 35 volt DC; less than 100 mA.

**Analog Output:** Linear 0 to 10 V and 4 to 20 mA standard.

**Temperature Effects:** Automatic compensation from 0° to 35 °C.

**Bake Out Temperature:** Gauge can be baked to 100°C (212 °F) in air or vacuum.

**Vacuum Connection:** 1/4 NPT male. Others such as NW, VCR and 1/2" O.D. tube available.

**Materials:** All wetted parts 300 series S.S.

**SS Sensor Max. Pressure w/o Damage:** 4,500 Torr, burst 6,000 Torr.

**Dimensions:** Enclosure 3 X 3 X 2 In. 1/4 In. NPT vacuum connection is 1 5/8 In. (41 mm) long.

**Mounting:** Gauge can be supported by the vacuum connection and oriented in any plane.

**Net Wt.:** 0.75 lb. (0.3 kg) Ship: 1 lb. (0.45 kg)

### Pirani Gauge 1 to 2000 milli Torr 0.001 to 2,000 mbar 0.1 to 200.0 Pa

#### Specifications

**Measurement Range:** 1 to 2000 milli Torr (.001 to 2 mbar, and 0.1 to 200 Pa)

**Calibration:** Air or Nitrogen.

**Accuracy:** Better than 5% of value or ± 3 mTorr, whichever is larger.

**Response Time:** 0.3 second time constant.

**Power:** 12 to 35 volt DC; less than 200 mA.

**Analog Output:** Linear 0 to 10 VDC & 4 to 20 mA standard.

**Temperature Effects:** Changes in ambient temperature between 0°C and 50°C change the reading less than 0.2 mT per C° at 50 mT; less than 4 mT per C° at 900 mT.

**Bakeout Temperature:** Gauge can be baked to 100°C (212°F) in air or vacuum.

**Vacuum Connection:** 1/4 NPT male. Others such as NW, VCR and 1/2" O.D. tube available.

**Dimensions:** Enclosure 3 X 3 X 2 In. (76 X 76 X 50 mm) 1/4 In. NPT vacuum connection is 1 5/8 In. (41 mm) long.

**Mounting:** Gauge can be supported by the vacuum connection and oriented in any plane.

**Net Wt.:** 0.75 lb. (0.3 kg) Ship: 1 lb. (0.45 kg)

### Pirani Gauge .01 to 20 Torr 0.01 to 20.00 mbar 1.0 to 2000 Pa

#### Specifications

**Measurement Range:** 0.01 to 20 Torr (.01 to 20 mbar, and 1 to 2000 Pa)

**Calibration:** Air or Nitrogen.

**Accuracy:** Better than 5% of value or ± 0.03 Torr, whichever is larger.

**Response Time:** 0.3 second time constant.

**Power:** 12 to 35 volt DC; less than 200 mA.

**Analog Output:** 0 to 10 VDC, non-linear standard. Linear 0-10 V & 4-20 mA optional.

**Temperature Effects:** Changes in ambient temperature between 0°C and 50°C change the reading less than 0.01 Torr per C°.

**Bakeout Temperature:** Gauge tube can be baked to 100°C (212°F) in air or vacuum.

**Vacuum Connection:** 1/4 NPT male. Others such as NW, VCR and 1/2" O.D. tube are available.

**Dimensions:** Enclosure 3 X 3 X 2 In. (76 X 76 X 50 mm) 1/4 In. NPT vacuum connection is 1 5/8 In. (41 mm) long.

**Mounting:** Gauge can be supported by the vacuum connection and oriented in any plane.

**Net Wt.:** 0.75 lb. (0.3 kg) Ship: 1 lb. (0.45 kg)

**BUY NOW! Go to [www.vacuumresearch.com](http://www.vacuumresearch.com) to order online**

#### Ordering Information

1 to 1500 Torr Stainless Steel Diaphragm Vacuum Transducer. 12 to 35 VDC power. IP-65 dust & water proof enclosure. 1/4 In. NPT Vacuum Connection. Others such as NW, VCR and 1/2 In. O.D. tube available. Linear 0 to 10 VDC and 4 to 20 mA output.

P/N: 912384-Torr (1 to 1500 Torr) ..... \$1,267

P/N: 912384-mbar (1 to 2000 mbar) ..... \$1,267

P/N: 912384-Pa (0.1 to 200.0 kPa) ..... \$1,267

Optionaal display ..... \$135

#### Ordering Information

1 to 2000 mTorr Vacuum Transducer. 12 to 35 VDC power IP-65 dust & water proof enclosure. 1/4 In. NPT Vacuum Connection. Others such as NW, VCR and 1/2 In. O.D. tube available. Linear outputs of 0 to 10 VDC and 4 to 20 mA.

P/N: 912365-mTorr(1 to 2000 mTorr) .....\$1,134

P/N: 912365-mbar (0.001 to 2000 mbar).....\$1,134

P/N: 912365-Pa (0.1 to 200.0 Pa).....\$1,134

Optional display .....\$135

#### Ordering Information

0.01 to 20 Torr Vacuum Transducer. 12 to 35 VDC power IP-65 dust & water proof enclosure. 1/4 In. NPT Vacuum Connection. Others such as NW, VCR and 1/2 In. O.D. tube available. Linear outputs of 0 to 10 VDC and 4 to 20 mA.

P/N: 912367-Torr (0.01 to 20 Torr) .....\$1,134

P/N: 912367-mbar (0.01 to 20.00 mbar) .....\$1,134

P/N: 912367-Pa (1 to 2000 Pa).....\$1,134

Optional display .....\$135