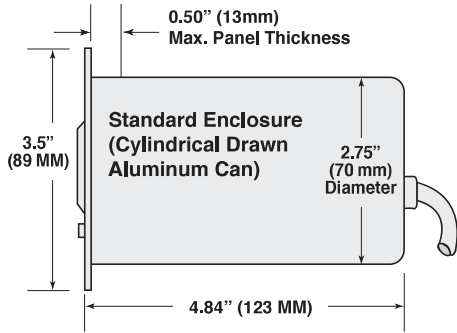
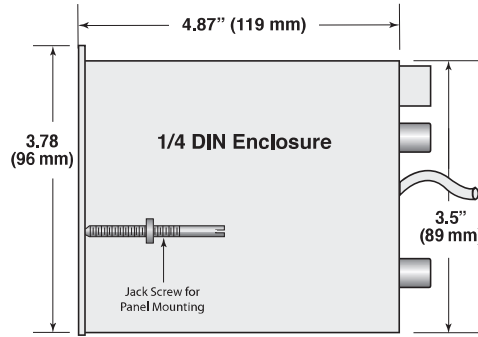


Pirani, Thermocouple and Diaphragm Gauge Enclosure



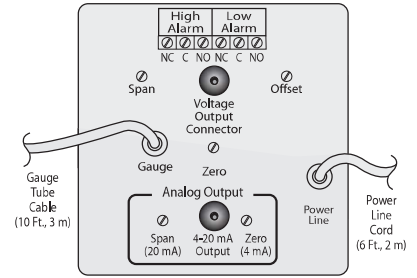
Standard Enclosure

Standard enclosure has a cylindrical body that fits the same 2.8 inch panel cutout as Hastings, Televac and other gauges. Panel mounting hardware is included with standard enclosure.



1/4 DIN Enclosure

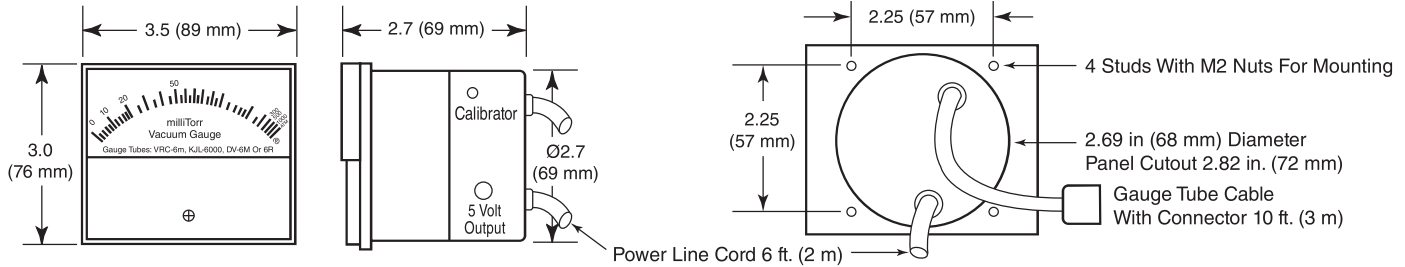
The 1/4 DIN enclosure is rectangular and fits the standard 92 mm x 92 mm panel cutout. Panel mounting jackscrews are included with 1/4 DIN enclosures.



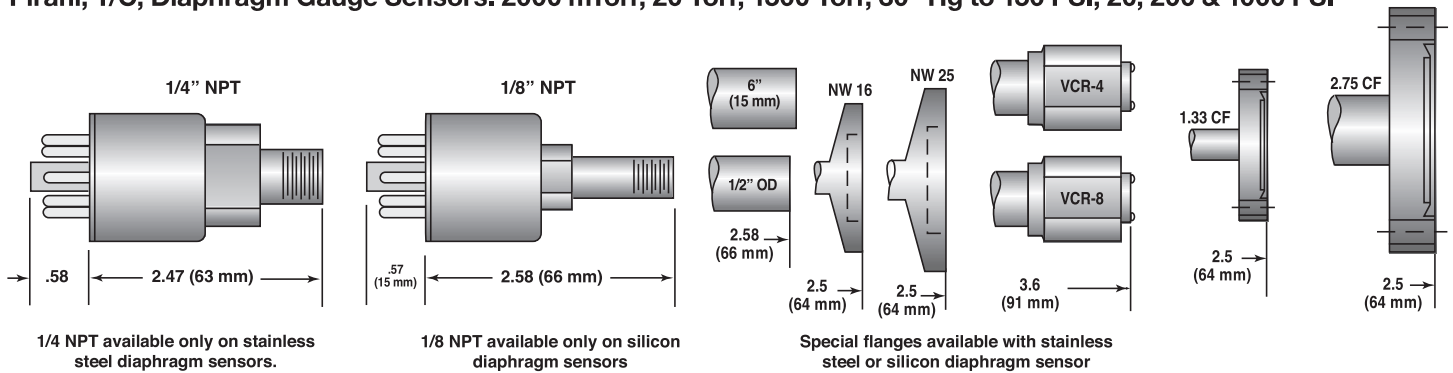
Rear Panel

Rear Panel shows optional two set points and 4-20 mA output.

Thermocouple Gauge Dimensions



Pirani, T/C, Diaphragm Gauge Sensors. 2000 mTorr, 20 Torr, 1500 Torr, 30" Hg to 150 PSI, 20, 200 & 1000 PSI

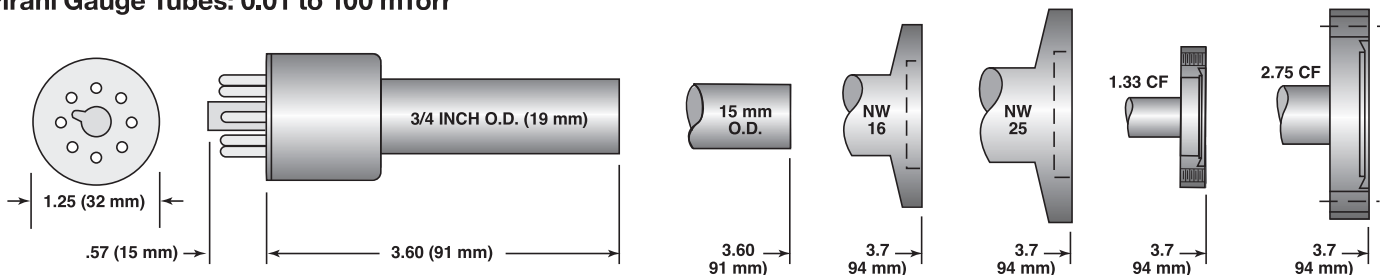


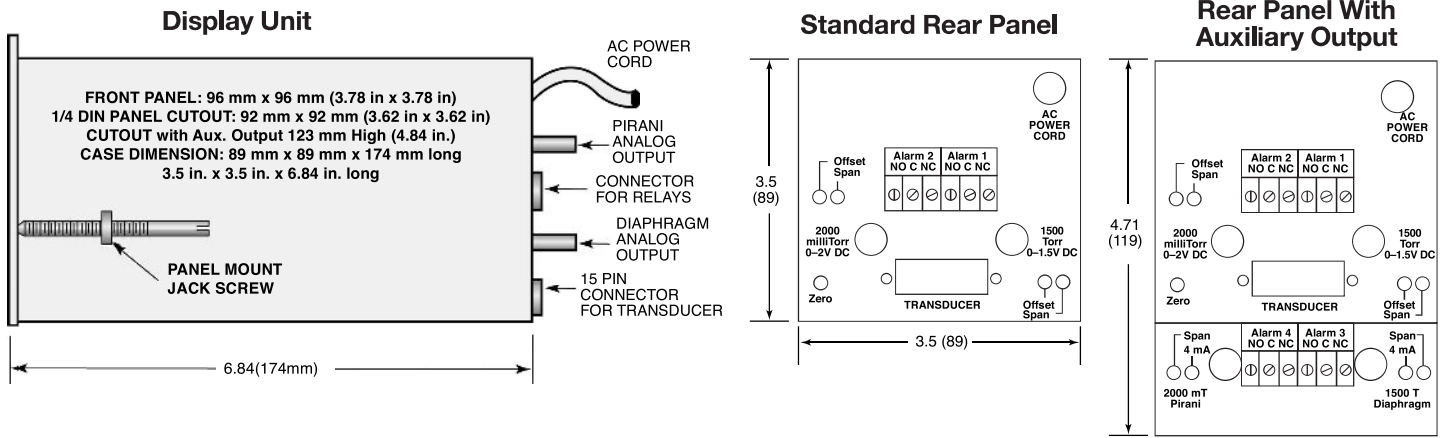
1/4 NPT available only on stainless steel diaphragm sensors.

1/8 NPT available only on silicon diaphragm sensors

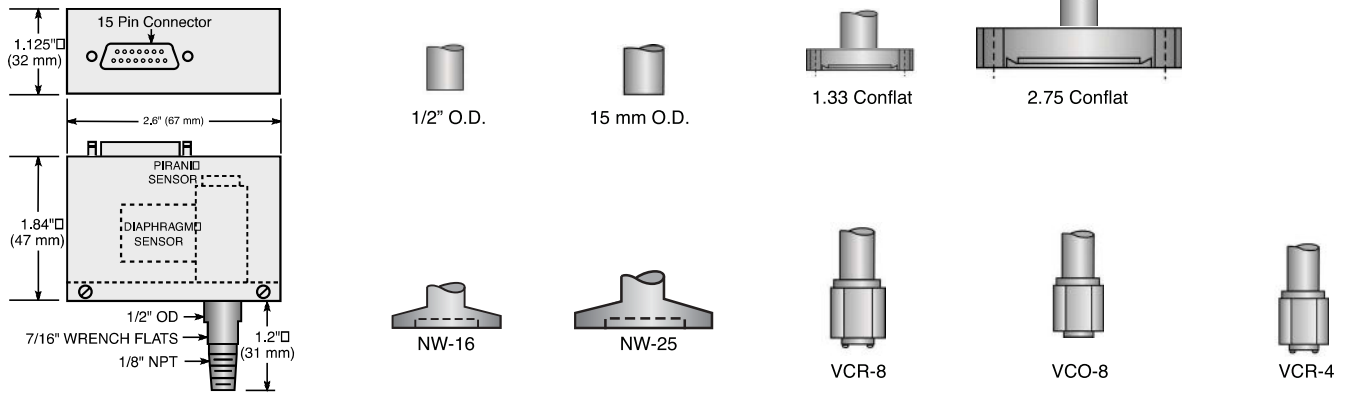
Special flanges available with stainless steel or silicon diaphragm sensor

Pirani Gauge Tubes: 0.01 to 100 mTorr

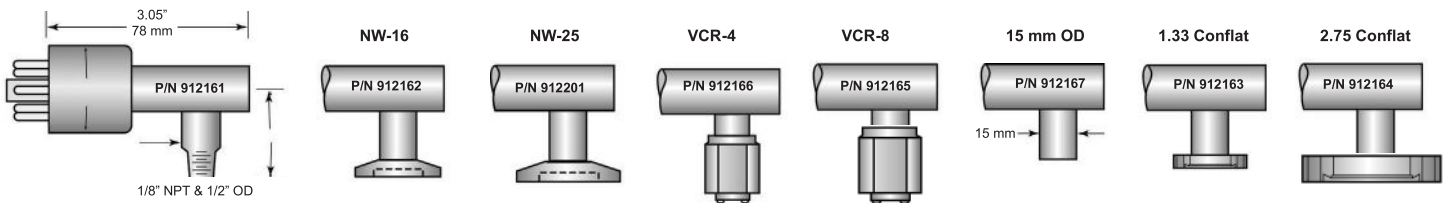




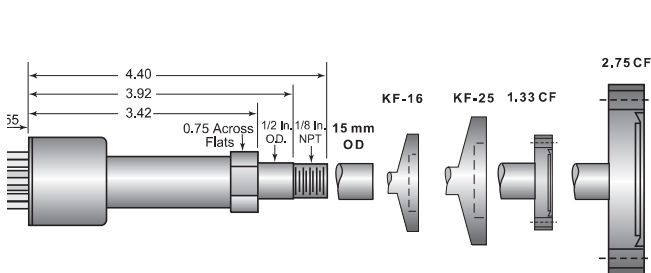
Transducers For Wide Range Manometer



Angle Style Convection Gauge Tubes



Inline Style Convection Gauge Tubes



Killark Explosion Proof Enclosure

