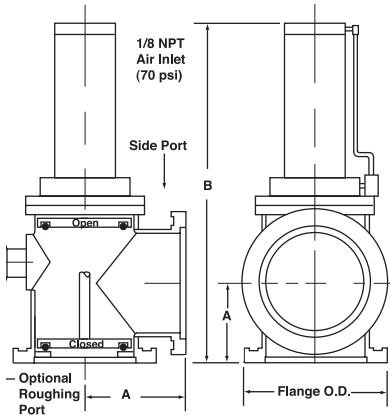




- Less Outgassing Than Stainless, See Page 40
- 6061 Aluminum Poppet Valves
- Over 100,000 Cycles Without Maintenance
- Optional Operation to 10 Bar, 147 PSIG
- 150 lb. ANSI Flanges Standard
- ISO and Special Flanges Available
- Flanges to Match Diffusion & Cryo Pumps
- 3 Port Valves Available in All Sizes
- Leak Tested To Better Than 5×10^{-10} scc/sec
- Automatic Closure on Power Failure
- All Valves (RoHS) 2015/863/EU Compliant



The standard configuration is with O-Rings on both flanges. However, valves can be provided without O-Rings, or with an O-Ring on only one side for no additional cost. If only one O-Ring is needed specify "open" or "seal" side.

ORDERING INFORMATION

Model Number: Refer to page 2 for instructions on how to specify the features you need.

Electronic Position Indicators: Two reed switches activated by a magnet inside pneumatic actuator provide closure for open & closed position. Add 'LSE' to Model No., see page 41 for specifications \$185/pair

Roughing Ports or Gauge Ports: Standard location is 180° from side port as shown in drawing. Other locations and more than one port are available.

Available on Any Size valve

| | | | |
|-------------|-------|----------------------|-------|
| NW-16 | \$180 | NW-40 | \$225 |
| NW 25 | \$197 | NW 50 (Not on 2" ..) | \$241 |

Available on 6" or Larger Valves

| | | | |
|-----------------|-------|-----------------|-------|
| ANSI 2 in..... | \$480 | ISO k 63 | \$324 |
| ANSI 3 in | \$522 | ISO k 80 | \$421 |
| ANSI 4 in..... | \$639 | ISO k 100 | \$459 |

Special Features: Refer to pages 40-43 for information on special features and accessories.

Viton® or Kalrez® or Silicone O-Rings: Our standard Poppet Valves use Buna-N O-Rings. You may specify Viton® (or other materials) throughout the valve with a "V", "S", or "K" in the model number. For Viton® add the following to the price. (For Silicone or Kalrez® contact the factory for prices.)

| | | | | | |
|-------------------------|-------|---------------------|-------|---------------------|-----------------|
| 2 or 3 in. valves | \$72 | 8 in. valves | \$202 | 16 in. valves | Contact Factory |
| 4 in. valves | \$103 | 10 in. valves | \$263 | 20 in. valves | Contact Factory |
| 6 in. valves | \$128 | 12 in. valves | \$339 | | |

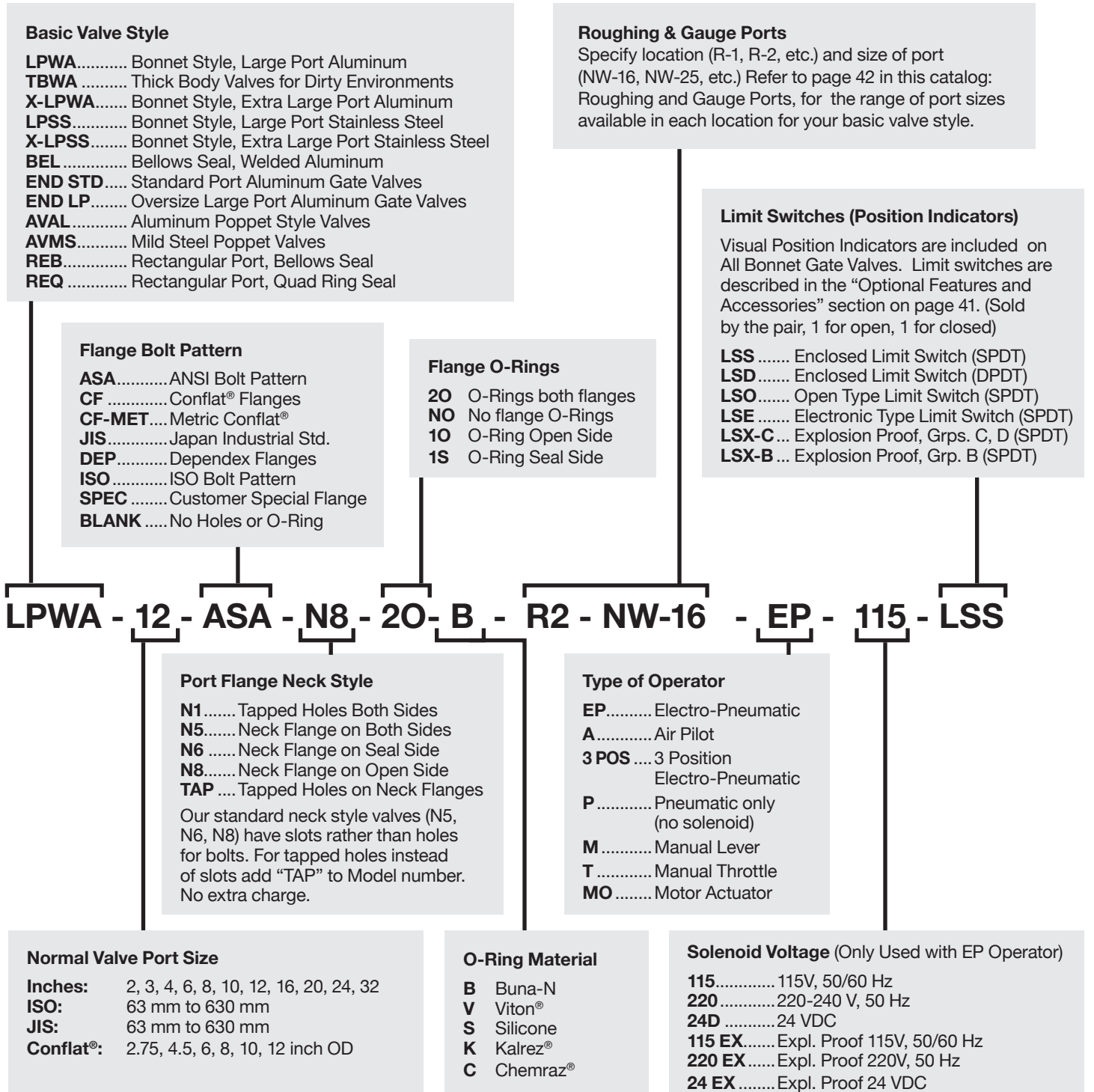
Poppet valves with port sizes from 10 inch to 24 inch are designed to seal with vacuum on the bottom port and atmosphere on the side port. If you need to seal the valve with atmosphere on the bottom port (pushing the valve open) specify this on your inquiry and a larger cylinder will be provided.

| Nominal Size | Model No. | Bottom Port Diam. | Side Port Diam. | Both Flanges | | | | Flange Face to Flange CL | | C Overall Height | Roughing Port Max. Size | Aluminum Weight, lbs (kg) | | Alum. Price | |
|--------------|-----------------------|-------------------|-----------------|--------------|-------------|----------------------------------|----------------|--------------------------|-------|------------------|-------------------------|---------------------------|-----------|-------------|---------|
| | | | | Flange O.O. | Bolt Circle | Bolt Holes Tapped Holes Optional | Flange O-Rings | A | B | | | Net | Ship | | |
| 2 inch | AV-2 | 2.00 | 2.50 | 6.00 | 4.75 | (4) 1/16 | 2.75 x .210 | 3.688 | 3.125 | 12.50 | NW-40 | 7 (3.2) | 12 (5.5) | \$1,671 | |
| 3 inch | AV-3 | 3.00 | 3.188 | 7.50 | 6.00 | (4) 1/16 | 4.00 x .210 | 4.50 | 4.125 | 17.125 | NW-50 | 13 (5.9) | 18 (8.2) | \$2,009 | |
| 4 inch | AV-4 | 4.00 | 4.188 | 9.00 | 7.50 | (8) 1/16 | 5.50 x .275 | 5.50 | 4.625 | 19.50 | NW-50 | 15 (6.8) | 24 (11) | \$2,499 | |
| 6 inch | AV-6 | 6.00 | 6.188 | 11.00 | 9.50 | (8) 13/16 | 7.50 x .275 | 6.25 | 6.375 | 30.40 | 4 in / ISO 100 | 28(12.7) | 42 (19) | \$2,814 | |
| 8 inch | AV-8 | 8.00 | 8.50 | 13.50 | 11.75 | (8) 13/16 | 9.00 x .275 | 8.25 | 7.00 | 30.375 | 4 in / ISO 100 | 55 (25) | 75 (34) | \$4,690 | |
| 10 inch | AV-10 | 10.00 | 10.344 | 16.00 | 14.25 | (12) 15/16 | 12.00 x .275 | 9.16 | 9.25 | 35.50 | 6 in / ISO 160 | 70 (31.8) | 95 (43) | \$5,851 | |
| 12 inch | AV-12 | 12.00 | 12.00 | 19.00 | 17.00 | (12) 15/16 | 14.50 x .275 | 12.00 | 8.63 | 40.00 | 8 in / ISO 200 | 95 (43) | 130 (59) | \$7,166 | |
| 16 inch | AV-16 | 16.00 | 16.00 | 23.50 | 21.25 | (16) 1-1/8 | 17.50 x .275 | 14.00 | 9.25 | 43.30 | 8 in / ISO 200 | 125 (49) | 180 (71) | \$11,754 | |
| 20 inch | AV-20 | 20.00 | 20.00 | 27.50 | 25.00 | (20) 1-1/8 | 21.00 x .275 | 16.00 | 14.00 | 58.90 | 8 in / ISO 200 | 280 (127) | 335 (152) | \$17,612 | |
| 24 inch | AV-24 | 24.00 | 24.00 | 32.00 | 29.50 | (20) 1-1/8 | 21.00 x .275 | 17.50 | 17.50 | 66.00 | 8 in / ISO 200 | 270 (122) | 330 (150) | \$24,395 | |
| 2 inch | Low Profile 2532-2 | 2.25 | 2.25 | 6.00 | 4.75 | (4) 1/16 | 2.75 x .210 | 4.06 | 2.13 | 12.50 | NW-40 | 7 (3.2) | 12 (5.5) | \$1,673 | |
| 3 inch | | 2532-3 | 3.00 | 3.00 | 7.50 | 6.00 | (4) 1/16 | 4.00 x .210 | 4.81 | 2.60 | 17.10 | NW-50 | 13 (5.9) | 18 (8.2) | \$2,009 |
| 4 inch | | 2532-4 | 4.00 | 4.00 | 9.00 | 7.50 | (8) 1/16 | 5.5 x .275 | 5.63 | 3.44 | 19.50 | NW-50 | 15 (6.8) | 24 (11) | \$2,659 |
| 6 inch | | 2532-4 | 6.00 | 6.00 | 11.00 | 9.50 | (8) 13/16 | 7.5 x .275 | 7.06 | 4.63 | 23.30 | NW-50 | 28 (12.7) | 42 (19) | \$2,814 |

Dimensions shown in inches



Vacuum Research valves are available with dozens of options to allow you to select exactly the features you need for your vacuum system. The model number system illustrated below will accurately describe most valves, but if you have any questions about the best way to specify what you need, just call or fax our customer service department and we will be happy to help you. All Valves are (RoHS) 2015/863/EU Compliant.



Call our toll free number (800) 426-9340, or (412) 261-7630 to place orders or for customer service. Our FAX number is (412) 261-7220. Address orders by mail to Vacuum Research Corporation, 100 Chapel Harbor Drive, #4, Pittsburgh, PA 15238 USA. Prices in this catalog are FOB factory. CIF or C&F prices available. Contact factory for pro forma invoice or price quotation. Terms are Net 30 days.



Throttlemaster™ is a registered trademark of Vacuum Research Corporation • Kalrez® and Viton® are registered trademarks of Dupont Corp. • Conflat® is a registered trademark of Varian Associates • Chemraz® is a registered trademark of Green, Tweed & Co. • SolidWorks logo art property of Dassault Systèmes.