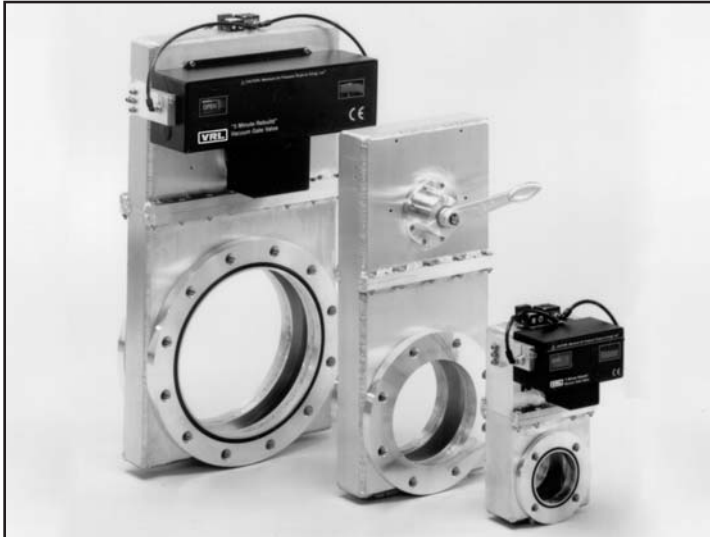




Stainless and Aluminum Gate Valves



Aluminum valves with (left to right): Electro Pneumatic, Manual, and Motor Actuators. Stainless Steel valves also available.

ANSI, ISO, JIS, or Special Flanges

These Vacuum Research 5 minute rebuild valves are available with virtually any flange or combination of flanges at no extra charge. Combinations of ISO on one flange and ANSI on the other are easily accommodated. Even different sizes such as 4 inch on one flange and 6 inch on the other.

Insertable "Flangeless" Valves

It is sometimes helpful to keep the flange to flange dimension ("A" dimension on the dimensions pages) as short as possible. In such cases your valves can be provided with no port flanges at all and with either O-Ring grooves machined into the valve body or with a precision machined surface on the body to seal against the O-rings on your pump or chamber. Contact the factory for prices.

Aluminum or Stainless Steel

Vacuum Research Bonnet Style valves are available in stainless steel or 6061 aluminum. Smooth surface finish gives low outgassing and fast pump down.

High Conductance

In addition to the oversize ports used in the LPWA Series for the last 40 years, we now offer the X-LPWA Series where a 4 inch valve has a 6 inch port, an 8 inch valve has a 10 inch port, etc. Conductance values are shown on page 39.

Fail Safe

All Vacuum Research Valves can be installed for fast close on power failure and air operated valves can be manually positioned without air or electricity.

Long Life

More than 250,000 cycles for aluminum valves. That's one cycle every 2 minutes, 24 hours/day for a year. An optional million cycle design is available.

SolidWorks *.STEP Files

Contact us to obtain SolidWorks 3D *.STEP format modeling files that plug formatted VRC valve 3-D models into your computer-aided design projects.



Less Outgassing Than Stainless Steel

Dozens of papers show the 6000 Series aluminum used in VRC valves outgasses up to 2 orders of magnitude less than 300 Series stainless steel and of course no hydrogen. A bibliography of 70 peer reviewed papers about outgassing compiled by Dr. M. Wong at Fermi Labs can be found at http://home.fnal.gov/~mlwong/outgas_rev.htm. See page 39 for more information

Vacuum & Pressure

Vacuum Research valves stay sealed with vacuum or atmosphere on either side.

Satisfaction Guaranteed

Vacuum Research has been building high vacuum valves for almost 50 years and has earned a reputation for world class product quality and customer service. If you are not satisfied with our valve just send it back.

No Leaks

All Vacuum Research valves have total leak rates of less than 5×10^{-10} std cc/sec. By total leak we mean that each completed valve is tested in a He filled bag.

RoHS Compliant

All Valves are (RoHS) 2015/863/EU Compliant and carry the CE mark.

Electric Motor, Air or Manual Actuators

All Vacuum Research gate valves are available with 3 types of actuators. Manual actuators are the least expensive. Electro-pneumatic actuators use 70 psi (4.9 kg/cm) compressed air and include the solenoid (specify the solenoid voltage that is most convenient for you). Electric motor actuators use high torque servo motors and operate from 115V or 230V, 1Ø 50 or 60 Hz. CE Mark included.


Roughing and Gauge Ports

There are six locations for optional gauge and roughing ports described on page 42.

Position Indicators, Limit Switches

Visual indication of valve position is included on all valves. Limit switches for remote indication are available and are described on the Optional Features pages in the Accessories & Parts section.

Complete Rebuild



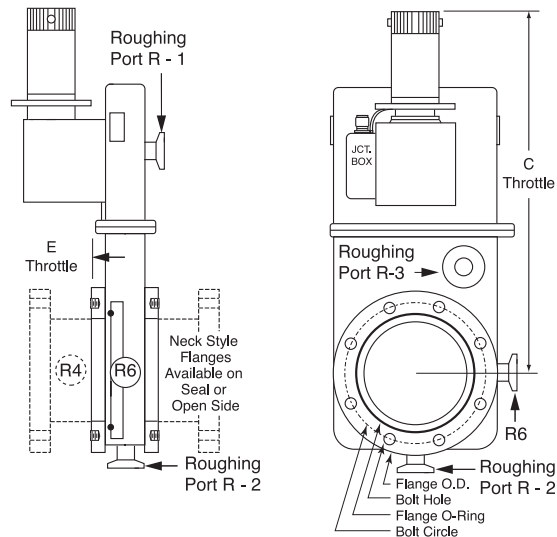
in 5 Minutes!

With no special tools or training you can replace every moving part in your Vacuum Research Bonnet Style Valve in 5 minutes. (Our best guys can do it in less time, but they practice.)



Throttlemaster™ Gate Valve and Positioner Unit. Aluminum has less outgassing than stainless steel. Up to 2 orders of magnitude less, see references on page 39.

Throttlemaster™ Dimensions



Port dimensions, bolt patterns, and other dimensions are shown on pages 6 and 7 for ANSI and page 13 for ISO valves. A few dimensions unique to the Throttlemaster™ servo actuator are listed here.

ANSI Flange Port Diameter	2 & 3 inch 4 inch Port	4 inch 6 inch Port	6 inch 8 inch Port	8 inch 10 inch Port	10 inch 12 inch Port	12 inch 12 inch Port
C Throttle	15.90 inch	19.17 inch	22.00 inch	22.00 inch	20.67 inch	22.74 inch
E Throttle	4.34 inch	4.15 inch	4.03 inch	4.03 inch	3.90 inch	3.90 inch

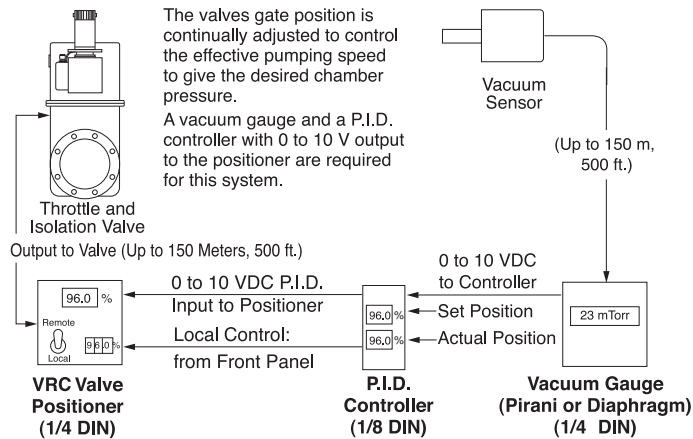
ISO Port Size	63 & 80 mm	100 mm	160 mm	200 mm	250 mm	320 mm
C Throttle	403 mm	403 mm	487 mm	561 mm	525 mm	577 mm
E Throttle	110 mm	110 mm	105 mm	102 mm	99 mm	99 mm

- Aluminum or Stainless Steel Valves
- Seals Up To 3 Atmospheres Differential
- Vacuum or Atmosphere on Either Side
- ANSI Sizes From 2 Inch to 24 Inch
- ISO Flanges From 63 to 630 mm
- Manual or Closed Loop Operation
- All Valves (RoHS) 2015/863/EU Compliant

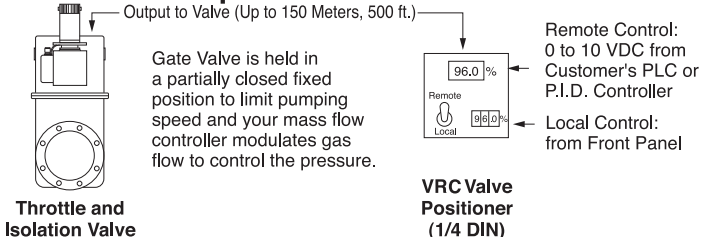
The Vacuum Research Throttlemaster™ valve with positioner can be used in either of two control schemes. As a 3 position valve for upstream pressure control with an MFC, or for downstream pressure control with modulating gate position. For 3 position control the basic Throttlemaster™ consists of two components: an aluminum or stainless steel gate valve and a positioner/indicator to drive the fast response servo motor. This is all you need to operate the Throttlemaster™ as a 3 position valve in systems where the mass flow controller is controlling the pressure.

The Throttlemaster™ can also be used for downstream pressure control where the gas flow to the chamber is held constant and the Throttlemaster™ gate is moved to control conductance of the pumping system. This requires the use of a PID pressure controller to provide a signal to the valve positioner and a vacuum gauge with a 0 to 10 vdc signal to the PID controller. These may be purchased from Vacuum Research along with your Throttlemaster™ Valve and positioner or you may be able to use your present gauge and controller.

P.I.D. Closed Loop Downstream Pressure Control

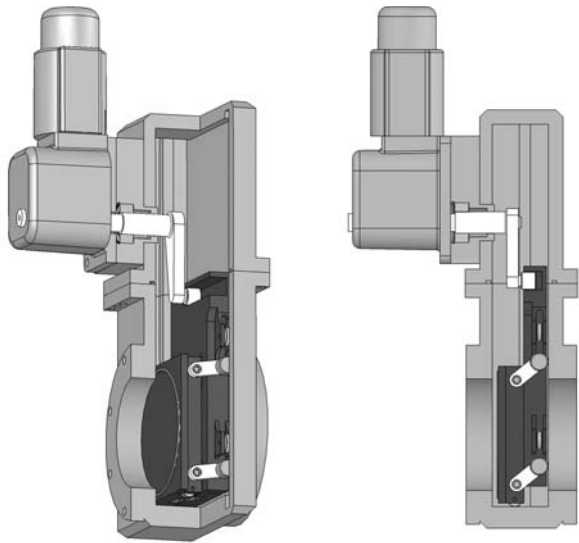


3 Position or Upstream Control



Stainless Steel Throttemaster™			
Valve System With Positioner			
Port Size	Flange Style	Model	Price
25 mm	NW-25	STM-25	\$6219.
40 mm	NW-40	STM-40	\$6436.
50 mm	NW-50	STM-50	\$6652.
63 mm	ISO-f 63 mm	STM-63	\$7003.
80 mm	ISO-f 80 mm	STM-80	\$7393.
100 mm	ISO-f 100 mm	STM-100	\$7517.
160 mm	ISO-f 160 mm	STM-160	\$8355.
200 mm	ISO-f 200 mm	STM-200	\$11,086.
250 mm	ISO-f 250 mm	STM-250	\$15,954.
320 mm	ISO-f 320 mm	STM-320	\$16,711.
400 mm	ISO-f 400 mm	STM-400	Contact Factory
500 mm	ISO-f 500 mm	STM-500	Contact Factory
3.375 inch	ANSI 2 inch	STM-2	\$7452.
3.375 inch	ANSI 3 inch	STM-3	\$7706.
5.375 inch	ANSI 4 inch	STM-4	\$8491.
7.125 inch	ANSI 6 inch	STM-6	\$9729.
8 inch	ANSI 8 inch	STM-8	\$11,222.
11.625 inch	ANSI 10 inch	STM-10	\$16,116.
12 inch	ANSI 12 inch	STM-12	\$16,711.
16 inch	ANSI 16 inch	STM-16	Contact Factory
20 inch	ANSI 20 inch	STM-20	Contact Factory

Aluminum Throttemaster™			
Valve System With Positioner			
Port Size	Flange Style	Model	Price
25 mm	NW-25	ATM-25	\$3368.
40 mm	NW-40	ATM-40	\$3407.
50 mm	NW-50	ATM-50	\$3455.
63 mm	ISO-f 63 mm	ATM-63	\$3536.
80 mm	ISO-f 80 mm	ATM-80	\$3961.
100 mm	ISO-f 100 mm	ATM-100	\$4072.
160 mm	ISO-f 160 mm	ATM-160	\$4289.
200 mm	ISO-f 200 mm	ATM-200	\$5405.
250 mm	ISO-f 250 mm	ATM-250	\$7705.
320 mm	ISO-f 320 mm	ATM-320	\$9102.
400 mm	ISO-f 400 mm	ATM-400	\$15,743.
500 mm	ISO-f 500 mm	ATM-500	\$22,795.
630 mm	ISO-f 630 mm	ATM-630	\$31,356.
3 5/8 inch	ANSI 2 inch	ATM-2	\$3536.
4 inch	ANSI 3 inch	ATM-3	\$3961.
6 inch	ANSI 4 inch	ATM-4	\$4103.
8 inch	ANSI 6 inch	ATM-6	\$4943.
10 inch	ANSI 8 inch	ATM-8	\$5096.
12 inch	ANSI 10 inch	ATM-10	\$7705.
12 inch	ANSI 12 inch	ATM-12	\$9094.
16 inch	ANSI 16 inch	ATM-16	\$15,743.
20 inch	ANSI 20 inch	ATM-20	\$23,590.
24 inch	ANSI 24 inch	ATM-24	\$32,432.



Throttemaster™ Fully Closed
Note that crank arm is vertical and links are near horizontal

Throttemaster™ 90% Closed
Note that gate has moved only .036 inch (0.9m) from the seal surface

Optional Features

The valves used in the Vacuum Research Throttemaster™ are the same as the standard open/close valves discussed on pages 4 to 7 of this catalog. The difference is that the Throttemaster™ gate position is precisely controlled by the servo motor actuator and the valve positioner to full open, full close, or anywhere in between. A Throttemaster™ valve can be equipped with roughing and gauge ports and most of the options listed in optional features section.

Valve Motor Voltage

The standard valve motor is 115V, 60 Hz approximately 300 w for 220-240V, 50 Hz. Add suffix 220/50 to P/NNo extra charge.

Viton® and Kalrez® O-Rings

Throttemaster™ valves are shipped with Buna-N O-Rings except for the gate seal which is Viton®. For valves with all Viton® or Kalrez® see page 5 for prices on these special O-Rings.

Spare Valve Positioner

One positioner is included with each throttle valve system, but if a spare is desired please order P/N X801403 \$1,155.

Optional Hand Held Control



Approximately 3 X 2 inches, this hand held control includes selector switch for open, close, throttle and 3 digit selector for throttle position to 99.9%, ±.1%. 10 foot cable connects to valve positioner rear panel. P/N 801404 . . . \$437.

Cable Between Valve and Positioner

A 25 ft. (7m) cable is included with each Throttemaster™ and cables up to 500 ft. (150 m) are available. If more than 25 ft. is required add the length as a suffix to the valve model number and add: \$1.00/ft.

Throttemaster™ is a trademark of Vacuum Research.

Max Conductance Precision Where it's Most Important

The only Throttle Valve in the world that uses back-to-back sine law relationships to provide maximum conductance precision where you need it most; between 90% to 100% closed!

Why is the Throttemaster™ conductance precision so good between 90% and 100% closed? There are two design features that allow both leak tight shut off and high resolution in the critical 90% to 100% closed range. The first of these is innovative mechanical design of our actuator, and the second is our high resolution feedback system.

The 180° arc of our actuator arm is double that of butterfly valves. More importantly, the critical 90% to 100% closed position is at bottom dead center where the motion per degree of rotation becomes zero. As this is happening, the gate links are approaching their full extension, which further enhances the resolution of the crank rotation and feed back sensor.

The Vacuum Research feedback element is directly coupled to the motor shaft, and provides stepless resolution of the valve position. The motor itself is a high torque servo that can repeatedly position the gate within a few thousandths of an inch and also lock the gate closed with a full atmosphere differential.



Model Numbering System

VRC Valves are
Manufactured in
the USA.



Vacuum Research valves are available with dozens of options to allow you to select exactly the features you need for your vacuum system. The model number system illustrated below will accurately describe most valves, but if you have any questions about the best way to specify what you need, just call or fax our customer service department and we will be happy to help you. All Valves are (RoHS) 2015/863/EU Compliant.

Basic Valve Style

LPWA	Bonnet Style, Large Port Aluminum
TBWA	Thick Body Valves for Dirty Environments
X-LPWA	Bonnet Style, Extra Large Port Aluminum
LPSS	Bonnet Style, Large Port Stainless Steel
X-LPSS	Bonnet Style, Extra Large Port Stainless Steel
BEL	Bellows Seal, Welded Aluminum
END STD	Standard Port Aluminum Gate Valves
END LP	Oversize Large Port Aluminum Gate Valves
AVAL	Aluminum Poppet Style Valves
AVMS	Mild Steel Poppet Valves
REB	Rectangular Port, Bellows Seal
REQ	Rectangular Port, Quad Ring Seal

Roughing & Gauge Ports

Specify location (R-1, R-2, etc.) and size of port (NW-16, NW-25, etc.) Refer to page 42 in this catalog: Roughing and Gauge Ports, for the range of port sizes available in each location for your basic valve style.

Limit Switches (Position Indicators)

Visual Position Indicators are included on All Bonnet Gate Valves. Limit switches are described in the "Optional Features and Accessories" section on page 41. (Sold by the pair, 1 for open, 1 for closed)

LSS	Enclosed Limit Switch (SPDT)
LSD	Enclosed Limit Switch (DPDT)
LSO	Open Type Limit Switch (SPDT)
LSE	Electronic Type Limit Switch (SPDT)
LSX-C	Explosion Proof, Grps. C, D (SPDT)
LSX-B	Explosion Proof, Grp. B (SPDT)

Flange Bolt Pattern

ASA	ANSI Bolt Pattern
CF	Conflat® Flanges
CF-MET	Metric Conflat®
JIS	Japan Industrial Std.
DEP	Dependex Flanges
ISO	ISO Bolt Pattern
SPEC	Customer Special Flange
BLANK	No Holes or O-Ring

Flange O-Rings

20	O-Rings both flanges
NO	No flange O-Rings
10	O-Ring Open Side
1S	O-Ring Seal Side

Port Flange Neck Style

N1	Tapped Holes Both Sides
N5	Neck Flange on Both Sides
N6	Neck Flange on Seal Side
N8	Neck Flange on Open Side
TAP	Tapped Holes on Neck Flanges

Our standard neck style valves (N5, N6, N8) have slots rather than holes for bolts. For tapped holes instead of slots add "TAP" to Model number. No extra charge.

Type of Operator

EP	Electro-Pneumatic
A	Air Pilot
3 POS	3 Position Electro-Pneumatic
P	Pneumatic only (no solenoid)
M	Manual Lever
T	Manual Throttle
MO	Motor Actuator

Nominal Valve Port Size

Inches:	2, 3, 4, 6, 8, 10, 12, 16, 20, 24, 32
ISO:	63 mm to 630 mm
JIS:	63 mm to 630 mm
Conflat®:	2.75, 4.5, 6, 8, 10, 12 Inch OD

O-Ring Material

B	Buna-N
V	Viton®
S	Silicone
K	Kalrez®
C	Chemraz®

Solenoid Voltage Only Used With EP Operator

115	115V, 50/60 Hz
220	220-240 V, 50 Hz
24D	24 VDC
115 EX	Expl. Proof 115V, 50/60 Hz
220 EX	Expl. Proof 220V, 50 Hz
24 EX	Expl. Proof 24 VDC

LPWA - 12 - ASA - N8 - 20 - B - R2 - NW-16 - EP - 115 - LSS

Ordering Information



Call our toll free number (800) 426-9340, or (412) 261-7630 to place orders or for customer service. Our FAX number is (412) 261-7220. Address orders by mail to Vacuum Research Corporation, 100 Chapel Harbor Drive, #4, Pittsburgh, PA 15238 USA. Prices in this catalog are FOB factory. CIF or C&F prices available. Contact factory for pro forma invoice or price quotation. Terms are Net 30 days.



Throttlemaster™ is a registered trademark of Vacuum Research Corporation • Kalrez® and Viton® are registered trademarks of Dupont Corp. • Conflat® is a registered trademark of Varian Associates • Chemraz® is a registered trademark of Green, Tweed & Co. • SolidWorks logo art property of Dassault Systèmes.

Vacuum Research Corp. • 100 Chapel Harbor Drive, #4 • Pittsburgh, PA 15238 USA • www.vacuumresearch.com

Phone: 800-426-9340 • 412-261-7630 • FAX: 412-261-7220 • e-mail: VRC@vacuumresearch.com