

**ISO 600 Valve with Water Cooled Gate**

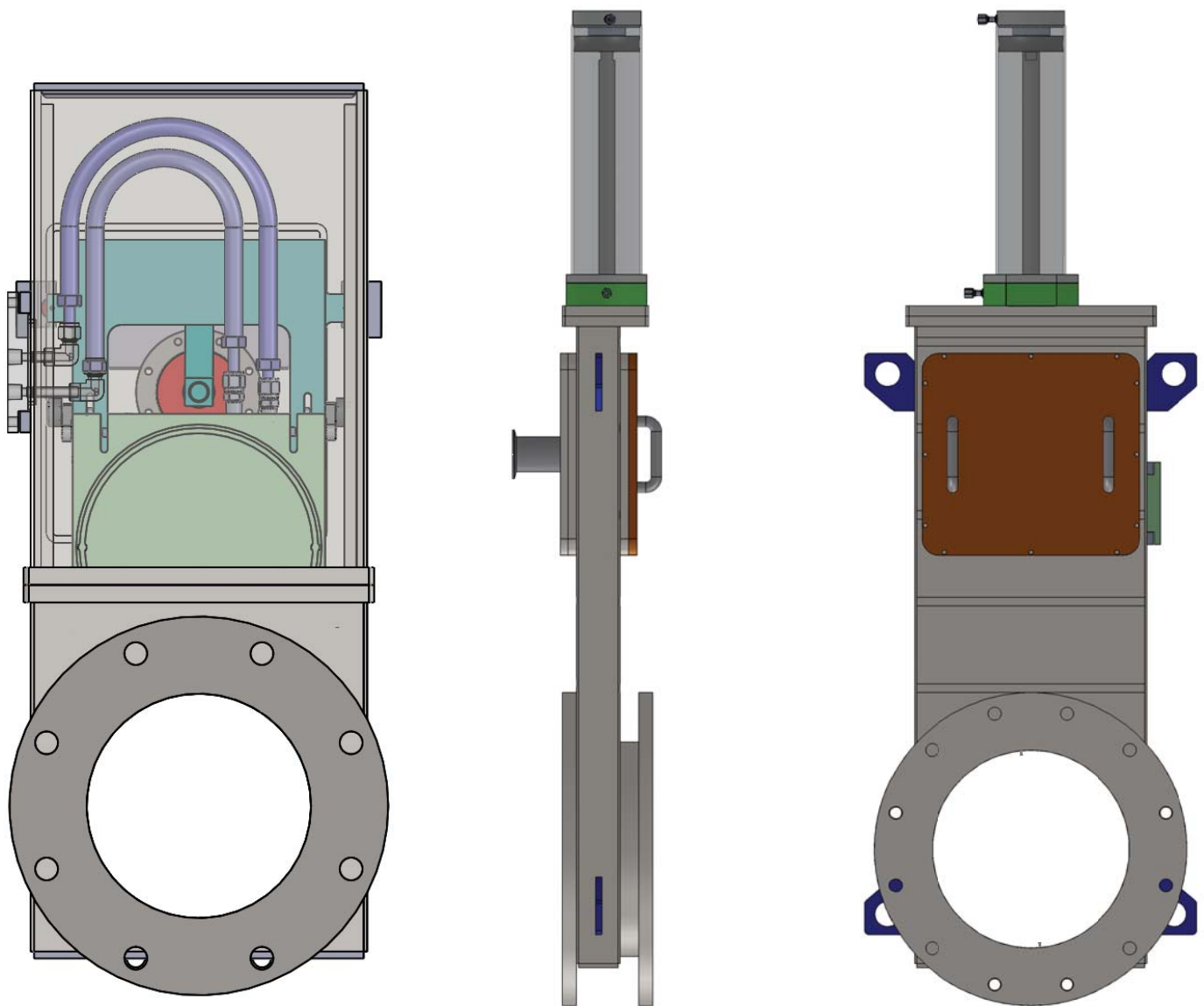
- Port Sizes from 2 to 32 Inch, 63 to 800 mm
- ANSI, ISO, JIS, Conflat® or Custom Flanges
- Electric Motor or Electro-Pneumatic Actuator
- Available for DIV. 1, grp. B, C, D, E, F, Environments
- All Aluminum For Maximum Thermal Exchange
- High Efficiency Internal Coolant Channels
- Helium Leak Tight to Better Than 10^{-10} scc/sec
- Vacuum From 10^{-9} Torr To 10 Atmosphere
- Water Cooled Gate and Body Flanges

As a leading supplier of vacuum valves and weldments Vacuum Research can provide either aluminum or mild steel valves with water cooled gates, bodies or flanges.

We have more than 50 years experience with vacuum valves on systems that include temperature, pressure, hazardous environments and of course, high vacuum.

Water cooled valves in both gate and poppet styles are available with ANSI flanges up to 32 inches and with ISO flanges up to 800 mm. Highly efficient cooling water circuits with low ΔP and high overall 'u' maximize thermal transfer and minimize cooling water consumption. In addition to water cooling all valve styles can be provided with thermal radiation shields on the gate.

**Poppet Valve with Cooling Shroud****Water Cooled Flanges with Port Shroud****Water Cooled Gate and Port Flanges**



Ordering Information

Water Cooled Valves are always custom-built to provide the features required for each application, however the starting place is our standard LPWA, End-Operated, or Poppet Valves described in this valve catalog and on our web site: www.vacuumresearch.com.

Select the valve style and size that fits your needs and we will send a SolidWorks drawing showing the water cooling and radiation shield needed.

Also available are the many standard options described in the accessories section of this catalog. The most popular of these options are position indicators for remote indication of the valve position, and gauge or roughing ports with NW style flanges. Special solenoids and position indicators for hazardous areas and combinations of ISO, ANSI and Conflat[®] flanges are also available.



Valve on left is fully open with protective ring in place. Particles are directed through the port instead of into the valve body.

Although Vacuum Research valves are not affected by small amounts of dust and dirt some processes are so dirty that frequent cleaning is required. For such processes our Protective Ring Valve with the Dirt Sump can substantially reduce your costs by increasing the time between cleanouts. The Protective Ring and Dirt Sump are available on valves with port sizes from 2 to 24 inch (50 to 600 mm ISO). Other Vacuum Research options such as Position Indicators and ports for gauges and roughing can also be provided on these valves.

- Protective Ring Keeps Dirt Out of Valve
- Aluminum, Stainless Steel or Mild Steel
- Water Cooled Port Flanges Available
- Radiation Shield for Gate is Optional
- Water Cooled Gate Described on Page 32
- Easy to Clean Dirt Sump Bonnet
- Helium Leak Rate Less Than 5×10^{-10} scc/s
- Port Sizes From 2 to 24 Inch, 50 to 600 mm
- ANSI, ISO, JIS or Special Flanges
- Fail Safe Design, Close on Power Loss

Our protective ring valves are operating in multiple process configurations. We are especially proud of our success in large valve production of the Protective Ring Valves and we'd like the opportunity to meet your requirements. Call or email us with your application design. Our engineering and production teams can work with you to fit our valve to your process. We may already have designed a valve that is close to fitting your system and we can work with you on the details to finish the job.



ISO 600 Powder and Chunk with Water Cooled Gate



500 mm Powder and Chunk Valve Final Assembly



Model Numbering System

VRC Valves are
Manufactured in
the USA.



Vacuum Research valves are available with dozens of options to allow you to select exactly the features you need for your vacuum system. The model number system illustrated below will accurately describe most valves, but if you have any questions about the best way to specify what you need, just call or fax our customer service department and we will be happy to help you. All Valves are (RoHS) 2002/95/EC Compliant.

Basic Valve Style

LPWA	Bonnet Style, Large Port Aluminum
TBWA	Thick Body Valves for Dirty Environments
X-LPWA	Bonnet Style, Extra Large Port Aluminum
LPSS	Bonnet Style, Large Port Stainless Steel
X-LPSS	Bonnet Style, Extra Large Port Stainless Steel
BEL	Bellows Seal, Welded Aluminum
END STD	Standard Port Aluminum Gate Valves
END LP	Oversize Large Port Aluminum Gate Valves
AVAL	Aluminum Poppet Style Valves
AVMS	Mild Steel Poppet Valves
REB	Rectangular Port, Bellows Seal
REQ	Rectangular Port, Quad Ring Seal

Roughing & Gauge Ports

Specify location (R-1, R-2, etc.) and size of port (NW-16, NW-25, etc.) Refer to page 42 in this catalog: Roughing and Gauge Ports, for the range of port sizes available in each location for your basic valve style.

Limit Switches (Position Indicators)

Visual Position Indicators are included on All Bonnet Gate Valves. Limit switches are described in the "Optional Features and Accessories" section on page 44. (Sold by the pair, 1 for open, 1 for closed)

LSS	Enclosed Limit Switch (SPDT)
LSD	Enclosed Limit Switch (DPDT)
LSO	Open Type Limit Switch (SPDT)
LSE	Electronic Type Limit Switch (SPDT)
LSX-C	Explosion Proof, Grps. C, D (SPDT)
LSX-B	Explosion Proof, Grp. B (SPDT)

Flange Bolt Pattern

ASA	ANSI Bolt Pattern
CF	Conflat® Flanges
CF-MET	Metric Conflat®
JIS	Japan Industrial Std.
DEP	Dependex Flanges
ISO	ISO Bolt Pattern
SPEC	Customer Special Flange
BLANK	No Holes or O-Ring

Flange O-Rings

2O	O-Rings both flanges
NO	No flange O-Rings
1O	O-Ring Open Side
1S	O-Ring Seal Side

Port Flange Neck Style

N1	Tapped Holes Both Sides
N5	Neck Flange on Both Sides
N6	Neck Flange on Seal Side
N8	Neck Flange on Open Side

Slots or Tapped Holes on Neck Flanges:
Our standard neck style valves (N5, N6, N8) have slots rather than holes for bolts. For tapped holes instead of slots add "tapped" to Model number. No extra charge.

Nominal Valve Port Size

Inches: 2, 3, 4, 6, 8, 10, 12, 16, 20, 24, 32
ISO: 63 mm to 630 mm
JIS: 63 mm to 630 mm
Conflat®: 2.75, 4.5, 6, 8, 10, 12 Inch OD

O-Ring Material

B	Buna-N
V	Viton®
S	Silicone
K	Kalrez®

Type of Operator

EP	Electro-Pneumatic
3 POS	3 Position Electro-Pneumatic
P	Pneumatic only (no solenoid)
M	Manual Lever
T	Manual Throttle
MO	Motor Actuator

Solenoid Voltage Only Used With EP Operator

115	115V, 50/60 Hz
220	220-240 V, 50 Hz
24D	24 VDC
115 EX	Expl. Proof 115V, 50/60 Hz
220 EX	Expl. Proof 220V, 50 Hz
24 EX	Expl. Proof 24 VDC

LPWA - 12 - ASA - N8 - 2O - B - R2 - NW-16 - EP - 115 - LSS

Ordering Information



Call our toll free number (800) 426-9340, or (412) 261-7630 to place orders, or for customer service.



Our FAX number is (412) 261-7220. Address orders by mail to Vacuum Research Corporation, 100 Chapel Harbor Drive, #4, Pittsburgh, PA 15238 USA. Prices in this catalog are FOB factory. CIF or C&F prices available. Contact factory for pro forma invoice or price quotation. Terms are Net 30 Days.



Kalrez® and Viton® are registered trademarks of Dupont Corp. • Conflat® is a registered trademark of Varian Associates • Throttlemaster™ is a registered trademark of Vacuum Research Corporation

Vacuum Research Corp. • 100 Chapel Harbor Drive, #4 • Pittsburgh, PA 15238 USA • www.vacuumresearch.com

Phone: 800-426-9340 • 412-261-7630 • FAX: 412-261-7220 • e-mail: VRC@vacuumresearch.com