



Aluminum valves with (left to right): Electro Pneumatic, Manual, and Motor Actuators. Stainless Steel valves also available.

ANSI, ISO, JIS, or Special Flanges

These Vacuum Research 5 minute rebuild valves are available with virtually any flange or combination of flanges at no extra charge. Combinations of ISO on one flange and ANSI on the other are easily accommodated. Even different sizes such as 4 inch on one flange and 6 inch on the other.

Insertable "Flangeless" Valves

It is sometimes helpful to keep the flange to flange dimension ("A" dimension on the dimensions pages) as short as possible. In such cases your valves can be provided with no port flanges at all and with either O-Ring grooves machined into the valve body or with a precision machined surface on the body to seal against the O-rings on your pump or chamber. Contact the factory for prices.

Aluminum or Stainless Steel

Vacuum Research Bonnet Style valves are available in stainless steel or 6061 aluminum. Smooth surface finish gives low outgassing and fast pump down.

High Conductance

In addition to the oversize ports used in the LPWA Series for the last 40 years, we now offer the X-LPWA Series where a 4 inch valve has a 6 inch port, an 8 inch valve has a 10 inch port, etc. Conductance values are shown on page 43.

Fail Safe

All Vacuum Research Valves can be installed for fast close on power failure and air operated valves can be manually positioned without air or electricity.

Long Life

More than 250,000 cycles for aluminum valves. That's one cycle every 2 minutes, 24 hours/day for a year. An optional million cycle design is available.

Vacuum & Pressure

Vacuum Research Valves stay sealed against positive pressure in either direction.

Less Outgassing Than Stainless Steel

Published papers show that aluminum outgassing is about 2 orders of magnitude less than stainless steel.

mbar l/sec cm²

Aluminum baked 20 hours at 100 °C 5×10^{-14}

304 SS, electro polished, 30 hrs. at 250 °C 4×10^{-12}

Vacuum Technology, CERN Accelerator

Scaticon Conference Centre, Snekersten, Denmark, 28 May-3 June 1999: Proceedings, editors [sic], S. Turner ISBN 10 9290831499

Vacuum Science & Technology

CERN CAS Accelerator, Platja D'Aro, Spain, May 16-24, 2006

H.F. Dylla, Thomas Jefferson National Accelerator Facility, Newport News, VA

Satisfaction Guaranteed

Vacuum Research has been building high vacuum valves for almost 50 years and has earned a reputation for world class product quality and customer service. If you are not satisfied with our valve just send it back.

No Leaks

All Vacuum Research valves have total leak rates of less than 5×10^{-10} std cc/sec. By total leak we mean that each completed valve is tested in a He filled bag.

RoHS Compliant

All Valves (RoHS) 2002/95/EC Compliant.

Electric Motor, Air or Manual Actuators

All Vacuum Research gate valves are available with 3 types of actuators. Manual actuators are the least expensive. Electro-pneumatic actuators use 70 psi (4.9 kg/cm²) compressed air and include the solenoid (specify the solenoid voltage that is most convenient for you). Electric motor actuators use high torque servo motors and operate from 115V or 230V, 1Ø 50 or 60 Hz. CE Mark included.

Roughing and Gauge Ports

There are six locations for optional gauge and roughing ports described on page 44.

Position Indicators, Limit Switches

Visual position indication of valve position is included on all valves. Limit switches for remote indication are described on the Optional Features pages in the Accessories & Parts section.

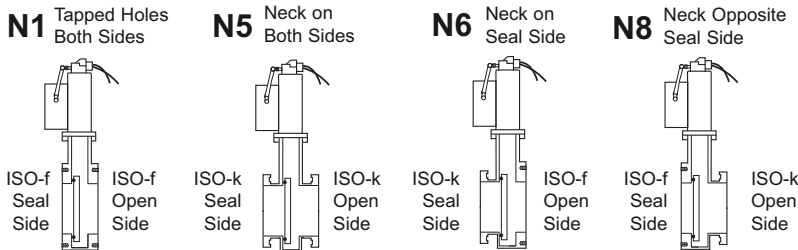
Complete Rebuild

in 5 Minutes!

With no special tools or training you can replace every moving part in your Vacuum Research Bonnet Style Valve in 5 minutes. (Our best guys can do it in less time, but they practice.)



- 250,000 Cycle Rotary Shaft Seal; Million Cycle Available
- Large Port, ISO Flanges; 6 Roughing Port Options
- All Valves (RoHS) 2002/95/EC Compliant
- Helium Leak Less Than 5×10^{-10} scc/sec
- Operate Manually If Air or Power Fail
- Fail Safe Design, Close On Power Loss
- Vacuum & Pressure; Optional Seal to 3 ATM.
- Optional Operation to 10 Bar, 147 PSIG



The gate seal O-ring is on the actuator side (to left) in aluminum valve sizes from 80 through 200 mm. The gate seal is on the side opposite the actuator on 250, 320, 400 mm aluminum and stainless steel valves.

Stainless Steel Gates in Aluminum Valves: To specify a stainless steel gate in an aluminum valve add a suffix to the model number "SS Gate". Refer to the "Optional Features and Accessories" pages in the Accessories and Parts section of this catalog for pricing information.

ORDERING INFORMATION

Model Number: Refer to page 2 for instructions on how to specify the features you need.

Electric Motor Actuators: Any Vacuum Research valve can be supplied with a high torque electric motor actuator. Refer to "Electric Motor Actuator" Page in the Accessories and Parts section.

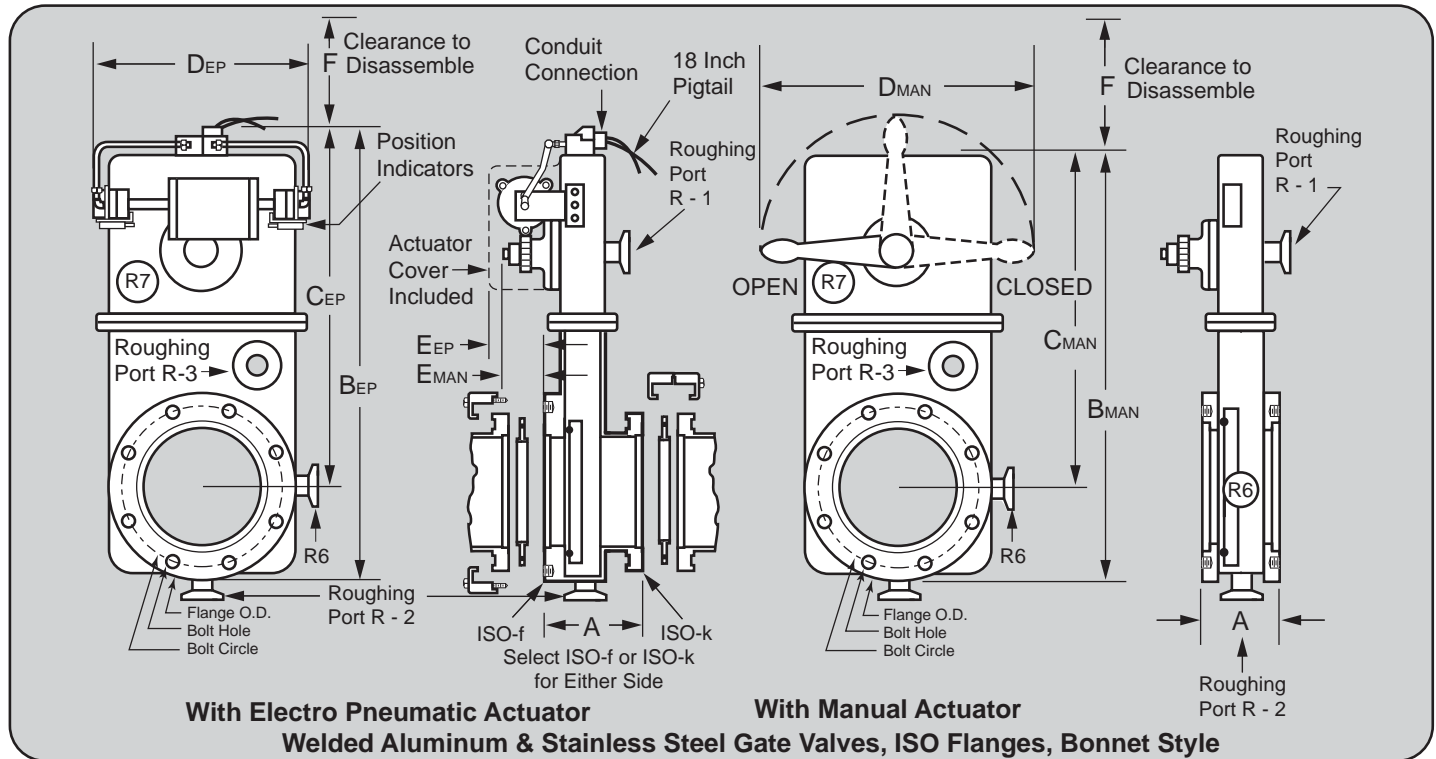
Special Features: Refer to page 44 - 46 for specifications for roughing and gauge ports, position indicators & other special features.

Viton® or Kalrez® or Silicone O-Rings Our standard Valves use a Viton® O-Ring for the gate seal and Buna-N O-Rings for all other locations. You may specify Viton® (or other materials throughout the valve with a "V", "S", or "K" in the model number. For Viton® add the following to the price. (For Silicone or Kalrez® contact the factory for prices.)

63 or 80 mm valves . . . \$50.	200 mm valves . . . \$150.
100 mm valves \$76.	250 mm valves \$196.
160 mm valves \$94.	320 mm valves \$252.

ISO Gate Valves

Nominal Size	Electro-Pneumatic Operator "EP" Suffix				Manual Operator "M" Suffix			
	Aluminum Model & Neck Style		Stainless Steel Model & Neck Style		Aluminum Model & Neck Style		Stainless Steel Model & Neck Style	
		Price		Price		Price		Price
63 mm One piece style	OP-63-ISO-N1-EP	\$1399.	OPSS-63-ISO-N1-EP	\$2405.	OP-63-ISO-N1-M	\$1235.	OPSS-63-ISO-N1-M	\$2014.
	OP-63-ISO-N5-EP	\$1569.	OPSS-63-ISO-N5-EP	\$2687.	OP-63-ISO-N5-M	\$1406.	OPSS-63-ISO-N5-M	\$2297.
	OP-63-ISO-N6-EP	\$1466.	OPSS-63-ISO-N6-EP	\$2565.	OP-63-ISO-N6-M	\$1282.	OPSS-63-ISO-N6-M	\$2175.
	OP-63-ISO-N8-EP	\$1466.	OPSS-63-ISO-N8-EP	\$2565.	OP-63-ISO-N8-M	\$1282.	OPSS-63-ISO-N8-M	\$2175.
80 mm	LPWA-80-ISO-N1-EP	\$1576.	LPSS-80-ISO-N1-EP	\$3049.	LPWA-80-ISO-N1-M	\$1413.	LPSS-80-ISO-N1-M	\$2579.
	LPWA-80-ISO-N5-EP	\$1675.	LPSS-80-ISO-N5-EP	\$3379.	LPWA-80-ISO-N5-M	\$1561.	LPSS-80-ISO-N5-M	\$2906.
	LPWA-80-ISO-N6-EP	\$1637.	LPSS-80-ISO-N6-EP	\$3210.	LPWA-80-ISO-N6-M	\$1476.	LPSS-80-ISO-N6-M	\$2739.
	LPWA-80-ISO-N8-EP	\$1637.	LPSS-80-ISO-N8-EP	\$3210.	LPWA-80-ISO-N8-M	\$1476.	LPSS-80-ISO-N8-M	\$3142.
100 mm	LPWA-100-ISO-N1-EP	\$1679.	LPSS-100-ISO-N1-EP	\$3546.	LPWA-100-ISO-N1-M	\$1505.	LPSS-100-ISO-N1-M	\$3142.
	LPWA-100-ISO-N5-EP	\$1915.	LPSS-100-ISO-N5-EP	\$3869.	LPWA-100-ISO-N5-M	\$1741.	LPSS-100-ISO-N5-M	\$3454.
	LPWA-100-ISO-N6-EP	\$1822.	LPSS-100-ISO-N6-EP	\$3787.	LPWA-100-ISO-N6-M	\$1648.	LPSS-100-ISO-N6-M	\$3384.
	LPWA-100-ISO-N8-EP	\$1822.	LPSS-100-ISO-N8-EP	\$2787.	LPWA-100-ISO-N8-M	\$1648.	LPSS-100-ISO-N8-M	\$3384.
160 mm	LPWA-160-ISO-N1-EP	\$1939.	LPSS-160-ISO-N1-EP	\$4295.	LPWA-160-ISO-N1-M	\$1710.	LPSS-160-ISO-N1-M	\$3948.
	LPWA-160-ISO-N5-EP	\$2225.	LPSS-160-ISO-N5-EP	\$4714.	LPWA-160-ISO-N5-M	\$1994.	LPSS-160-ISO-N5-M	\$4271.
	LPWA-160-ISO-N6-EP	\$2058.	LPSS-160-ISO-N6-EP	\$4616.	LPWA-160-ISO-N6-M	\$1828.	LPSS-160-ISO-N6-M	\$4190.
	LPWA-160-ISO-N8-EP	\$2058.	LPSS-160-ISO-N8-EP	\$4616.	LPWA-160-ISO-N8-M	\$1828.	LPSS-160-ISO-N8-M	\$4190.
200 mm	LPWA-200-ISO-N1-EP	\$3161.	LPSS-200-ISO-N1-EP	\$4714.	LPWA-200-ISO-N1-M	\$2913.	LPSS-200-ISO-N1-M	\$4196.
	LPWA-200-ISO-N5-EP	\$3409.	LPSS-200-ISO-N5-EP	\$5036.	LPWA-200-ISO-N5-M	\$3161.	LPSS-200-ISO-N5-M	\$4513.
	LPWA-200-ISO-N6-EP	\$3285.	LPSS-200-ISO-N6-EP	\$4956.	LPWA-200-ISO-N6-M	\$3037.	LPSS-200-ISO-N6-M	\$4432.
	LPWA-200-ISO-N8-EP	\$3285.	LPSS-200-ISO-N8-EP	\$4956.	LPWA-200-ISO-N8-M	\$3037.	LPSS-200-ISO-N8-M	\$4432.
250 mm	LPWA-250-ISO-N1-EP	\$3887.	LPSS-250-ISO-N1-EP	\$6970.	LPWA-250-ISO-N1-M	\$3602.	LPSS-250-ISO-N1-M	\$6101.
	LPWA-250-ISO-N5-EP	\$4196.	LPSS-250-ISO-N5-EP	\$7565.	LPWA-250-ISO-N5-M	\$3910.	LPSS-250-ISO-N5-M	\$6696.
	LPWA-250-ISO-N6-EP	\$4041.	LPSS-250-ISO-N6-EP	\$7343.	LPWA-250-ISO-N6-M	\$3756.	LPSS-250-ISO-N6-M	\$6472.
	LPWA-250-ISO-N8-EP	\$4041.	LPSS-250-ISO-N8-EP	\$7343.	LPWA-250-ISO-N8-M	\$3756.	LPSS-250-ISO-N8-M	\$6472.
320 mm	LPWA-320-ISO-N1-EP	\$4829.	LPSS-320-ISO-N1-EP	\$9202.	LPWA-320-ISO-N1-M	\$4564.	LPSS-320-ISO-N1-M	\$8332.
	LPWA-320-ISO-N5-EP	\$5126.	LPSS-320-ISO-N5-EP	\$9755.	LPWA-320-ISO-N5-M	\$4857.	LPSS-320-ISO-N5-M	\$9077.
	LPWA-320-ISO-N6-EP	\$4965.	LPSS-320-ISO-N6-EP	\$9648.	LPWA-320-ISO-N6-M	\$4699.	LPSS-320-ISO-N6-M	\$8928.
	LPWA-320-ISO-N8-EP	\$4965.	LPSS-320-ISO-N8-EP	\$9648.	LPWA-320-ISO-N8-M	\$4699.	LPSS-320-ISO-N8-M	\$8928.
400 mm	LPWA-400-ISO-N1-EP	\$9240.	LPSS-400-ISO-N1-EP	\$16999.	LPWA-400-ISO-N1-M	\$8618.	LPSS-400-ISO-N1-M	\$16999.
	Contact factory for prices of 400 mm valves with N5, N6, and N8 styles							



All dimensions in millimeters. Roughing ports and position indicator limit switches optional. Centering rings not included. The gate seal O-ring is on the actuator side (to left) in aluminum valve sizes through 200 mm. The gate seal is on the side opposite the actuator on 250, 320, 400 mm aluminum and stainless steel valves.

ISO Port Size	Model No. ISO Flange	Port Dia.	Flange O.D.	Bolt Circle	(number of bolts) size - pitch	A		BMAN Manual Overall Height	BEP EP Overall Height	CEP Port CL to Top of Valve	DMAN Manual Overall Width	DEP EP Overall Width	EMAN Manual	EMAN EP	F Disassy. Clearance	Weight kgs.	
						Stainless	Alum.									Aluminum	Ship
63mm one piece style	OP 63 N1, both sides ISO-f	70	130	110	(4) M 8 - 1.25	60	70	238	270	205	100	175	45	60	67	8	13
	OP 63 N5, both sides ISO-k	70	95	110	no bolts, ISO-k	105	105	238	270	205	100	175	45	60	67	8	13
	OP 63 N6 & N8, ISO-f & ISO-k	70	130/95	110	(4) M 8 - 1.25	80	90	238	270	205	100	175	45	60	67	8	13
80 mm	LPWA 80 N1, both sides ISO-f	83	145	125	(8) M 8 - 1.25	60	95	353	385	312	254	228	52	60	67	10	15
	LPWA 80 N5, both sides ISO-k	83	110	125	no bolts, ISO-k	105	127	353	385	312	254	228	52	60	67	10	15
	LPWA 80 N6 & N8, ISO-f & ISO-k	83	145/110	125	(8) M 8 - 1.25	80	111	353	385	312	254	228	52	60	67	10	15
100 mm	LPWA 100 N1, both sides ISO-f	102	165	145	(8) M 8 - 1.25	60	95	362	394	312	254	228	52	60	100	10	15
	LPWA 100 N5, both sides ISO-k	102	130	145	no bolts, ISO-k	105	127	362	394	312	254	228	52	60	100	10	15
	LPWA 100 N6 & N8, ISO-f & ISO-k	102	165/130	145	(8) M 8 - 1.25	80	111	362	394	312	254	228	52	60	100	10	15
160 mm	LPWA 160 N1, both sides ISO-f	153	225	200	(8) M 10 - 1.5	60	105	513	544	432	406	257	57	89	114	14	21
	LPWA 160 N5, both sides ISO-k	153	180	200	no bolts, ISO-k	105	143	513	544	432	406	257	57	89	114	14	21
	LPWA 160 N6 & N8, ISO-f & ISO-k	153	225/180	200	(8) M 10 - 1.5	80	127	513	544	432	406	257	57	89	114	14	21
200 mm	LPWA 200 N1, both sides ISO-f	213	285	260	(12) M 10 - 1.5	84	111	629	660	518	406	318	67	86	140	25	30
	LPWA 200 N5, both sides ISO-k	213	240	260	no bolts, ISO-k	135	155	629	660	518	406	318	67	86	140	25	30
	LPWA 200 N6 & N8, ISO-f & ISO-k	213	285/240	260	(12) M 10 - 1.5	110	127	629	660	518	406	318	67	86	140	25	30
250 mm	LPWA 250 N1, both sides ISO-f	261	335	310	(12) M 10 - 1.5	98	117	738	770	602	533	458	50	79	121	50	59
	LPWA 250 N5, both sides ISO-k	261	290	310	no bolts, ISO-k	149	219	738	770	602	533	458	50	79	121	50	59
	LPWA 250 N6 & N8, ISO-f & ISO-k	261	335/290	310	(12) M 10 - 1.5	124	168	738	770	602	533	458	50	79	121	50	59
320 mm	LPWA 320 N1, both sides ISO-f	318	425	395	(12) M 12 - 1.75	98	117	783	815	602	533	458	50	79	121	58	68
	LPWA 320 N5, both sides ISO-k	318	370	395	no bolts, ISO-k	149	219	783	815	602	533	458	50	79	121	58	68
	LPWA 320 N6 & N8, ISO-f & ISO-k	318	425/370	395	(12) M 12 - 1.75	124	168	783	815	602	533	458	50	79	121	58	68
400 mm	LPWA 400 N1, both sides ISO-f	400	510	480	(16) M 12 - 1.75	146	165	1060	1092	792	559	584	140	168	178	91	159
Contact factory for dimensions of 400 mm valves with N5, N6, and N8 neck styles																	

ISO Gate Valves

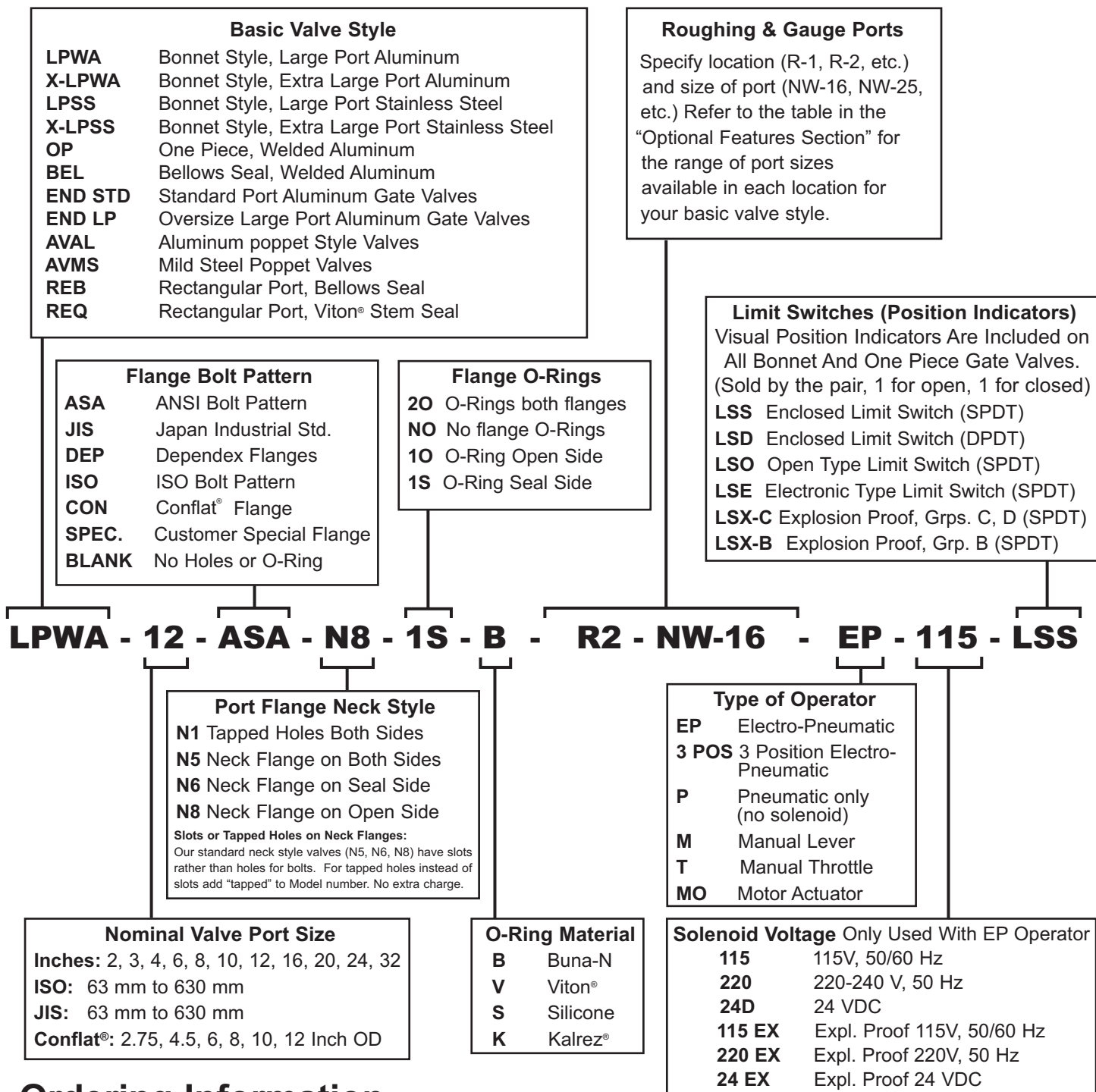


Model Numbering System

VRC Valves are
Manufactured in
the USA.



Vacuum Research valves are available with dozens of options to allow you to select exactly the features you need for your vacuum system. The model number system illustrated below will accurately describe most valves, but if you have any questions about the best way to specify what you need, just call or fax our customer service department and we will be happy to help you. All Valves (RoHS) 2002/95/EC Compliant.



Ordering Information



Call our toll free number (800) 426-9340, or (412) 261-7630 to place orders, or for customer service. Our FAX number is (412) 261-7220. Address orders by mail to Vacuum Research Corporation,



2419 Smallman Street, Pittsburgh, PA 15222 USA. Prices in this catalog are FOB factory. CIF or C&F prices available. Contact factory for pro forma invoice or price quotation. Terms are Net 30 Days.



Kalrez® and Viton® are registered trademarks of Dupont Corp. • Conflat® is a registered trademark of Varian Associates • Throttlemaster™ is a registered trademark of Vacuum Research Corporation