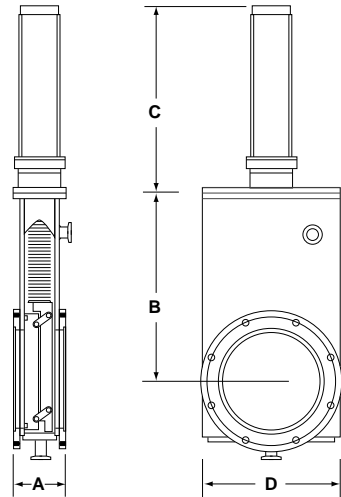


- Conflat®, ISO, or ANSI Flanges
- Welded Bellows, 1 Million Cycles
- Metal or Viton® Bonnet Seal
- Viton® O-Ring Gate Seal
- Welded Aluminum Body
- Low Temperature Bakeout, 200 °C
- All Valves (RoHS) 2002/95/EC Compliant
- Mate With Any Conflat® Flange
- Fail Safe, Close on Power Loss
- He Leak Less Than  $5 \times 10^{-10}$  scc/s



Conflat® Gate Valves

**Conflat® Type Flanges** Mate with Stainless Steel Conflat® Flanges, using aluminum port flange gaskets. See page 2 for ordering details.

Nominal Flange Outside Diameter	Model Number (dimensions shown in inches)	Port Diameter	Flange O.D.	Bolt Circle	(number of bolts) size - pitch	A Flange to Flange	B Body Height	C Actuator Height	D Body Width	Weight, Kg (lbs)		Price	
										Net	Ship	Welded Bellows Seal	Sliding Quad Ring Seal
4.5 inch Conflat®	BEL-CON-4.5X2.5	2.51	4.5	3.6	(8) 5/16 - 24	3.5	6.2	9.8	4.6	6 (13)	7 (16)	\$1909.	\$1600.
6 inch Conflat®	BEL-CON-6X4	4.01	6	5.1	(16) 5/16 - 24	4.4	8.4	10.2	6.5	14 (31)	16 (35)	\$2032.	\$1724.
8 inch Conflat®	BEL-CON-8X6	6.02	8	7.1	(20) 5/16 - 24	4.6	11.4	12.4	9.1	22 (48)	25 (55)	\$2629.	\$2048.
10 inch Conflat®	BEL-CON-10X8	8.02	10	9.1	(24) 5/16 - 24	4.8	14.3	14.7	11.0	25 (56)	28 (62)	\$3828.	\$3262.
12 inch Conflat®	BEL-CON-12X10	10.02	12	11.2	(32) 5/16 - 24	4.9	17.8	18.4	14.4	42 (92)	47 (103)	\$5536.	\$4558.

**ANSI Flanges** O-Rings on both flanges standard. Specify "Plain" flange to delete O-Rings. See page 2 for ordering details.

Nominal Flange Outside Diameter	Model Number (dimensions shown in inches)	Port Diameter	Flange O.D.	Bolt Circle	(number of bolts) size - pitch	A Flange to Flange	B Body Height	C Actuator Height	D Body Width	Weight, Kg (lbs)		Price	
										Net	Ship	Welded Bellows Seal	Sliding Quad Ring Seal
2 inch ANSI	BEL-ANSI-2	2.5	6	4.7	(4) 5/8 - 11	3.13	6.25	9.84	4.63	6 (13)	7 (16)	\$1363.	\$ 1055.
3 inch ANSI	BEL-ANSI-3	3	7.5	6.0	(4) 5/8 - 11	4.13	7.88	9.75	6.5	12 (26)	14 (31)	\$1729.	\$1574.
4 inch ANSI	BEL-ANSI-4	4	9	6	(8) 5/8 - 11	4.13	8.38	10.24	6.5	14 (31)	16 (35)	\$1862.	\$1616.
6 inch ANSI	BEL-ANSI-6	6	11	9.5	(8) 3/4 - 10	4.38	11.38	12.44	9.1	22 (48)	25 (55)	\$2295.	\$1724.
8 inch ANSI	BEL-ANSI-8	8	13.5	11.7	(8) 3/4 - 10	4.38	14.31	14.72	11	25 (56)	28 (62)	\$3246.	\$2727.
10 inch ANSI	BEL-ANSI-10	10	16	14.1	(12) 7/8 - 9	4.63	17.81	18.44	14.38	45 (100)	57 (125)	\$4775.	\$3782.

**ISO-f Flanges** Centering rings not included. See page 2 for ordering details.

Nominal Flange Outside Diameter	Model Number (dimensions shown in mm)	Port Diameter	Flange O.D.	Bolt Circle	(number of bolts) size - pitch	A Flange to Flange	B Body Height	C Actuator Height	D Body Width	Weight, Kg (lbs)		Price	
										Net	Ship	Welded Bellows Seal	Sliding Quad Ring Seal
ISO-63	BEL-ISO-f-63	70	130	110	(4) M 8 X 1.25	79	159	250	117	6 (13)	7 (16)	\$1363.	\$ 1054.
ISO-100	BEL-ISO-f-100	102	165	145	(8) M 8 X 1.25	105	213	260	165	14 (31)	16 (35)	\$1862.	\$1528.
ISO-160	BEL-ISO-f-160	153	225	200	(8) M 10 X 1.25	105	289	316	231	22 (48)	25 (55)	\$2295.	\$1662.
ISO-200	BEL-ISO-f-200	213	285	260	(12) M 10 X 1.25	111	364	374	280	25 (56)	28 (62)	\$3257.	\$2629.
ISO-250	BEL-ISO-f-250	250	335	310	(12) M 10 X 1.25	111	452	468	365	42 (92)	47 (103)	\$4775.	\$3890.

**Heated Valves:** All Vacuum Research Valves can be provided with heating jackets for baking or for continuous operation at elevated temperatures. Because of the Viton® gate seal O-Ring the valve should not be exposed to temperatures over 175 °C for prolonged periods. Consideration must be given to the solenoid valve location and other components in the electropneumatic actuator. We suggest that you discuss applications for heated valves with our customer service department.

**Electronic Position Indicators:** Two reed switches activated by a magnet inside the pneumatic actuator provide contact closure for open and closed position. See page 44 for specifications. Add LSE to Model number. . . \$138./pair

**Gauge and Roughing Ports:** See page 46 for specifications and ordering information.

**Aluminum Conflat® Gaskets, 10 / pack:**

Flange O.D.	Gasket O.D.	Part No.	Price per pack
2.75 in.	1.892 in.	X701G02.75A	\$62.
4.50 in.	3.250 in.	X701G04.50A	\$103.
6.00 in.	4.750 in.	X701G06.00A	\$144.
8.00 in.	6.750 in.	X701G08.00A	\$206.
10.00 in.	8.750 in.	X701G10.00A	\$247.
12.00 in.	10.750 in.	X701G12.00A	\$329.
13.25 in.	11.575 in.	X701G13.25A	\$396.
14.00 in.	12.310 in.	X701G14.00A	contact factory

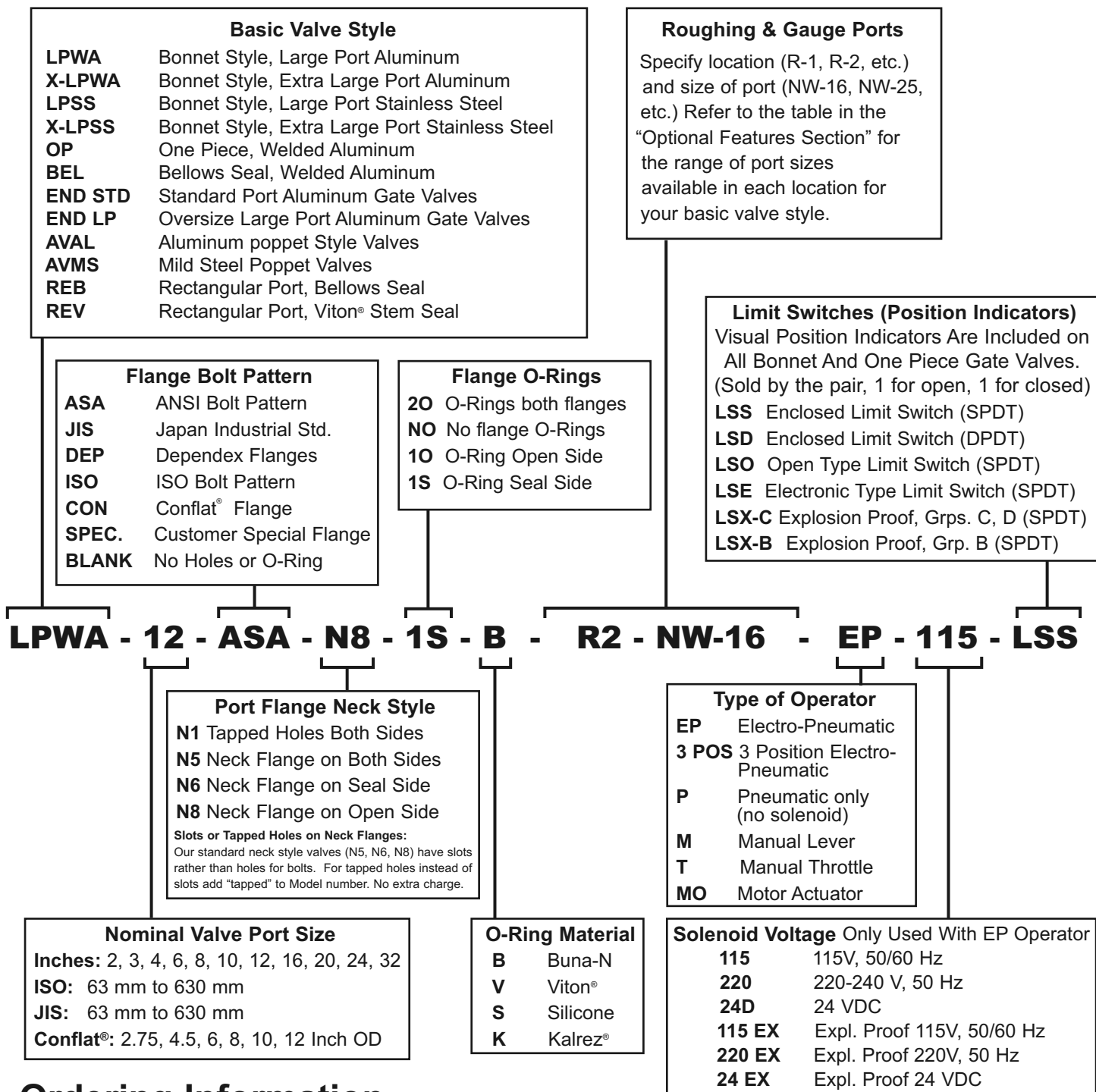


# Model Numbering System

VRC Valves are  
Manufactured in  
the USA.



Vacuum Research valves are available with dozens of options to allow you to select exactly the features you need for your vacuum system. The model number system illustrated below will accurately describe most valves, but if you have any questions about the best way to specify what you need, just call or fax our customer service department and we will be happy to help you. All Valves (RoHS) 2002/95/EC Compliant.



## Ordering Information



Call our toll free number (800) 426-9340, or (412) 261-7630 to place orders, or for customer service. Our FAX number is (412) 261-7220. Address orders by mail to Vacuum Research Corporation,



2419 Smallman Street, Pittsburgh, PA 15222 USA. Prices in this catalog are FOB factory. CIF or C&F prices available. Contact factory for pro forma invoice or price quotation. Terms are Net 30 Days.



Kalrez® and Viton® are registered trademarks of Dupont Corp. • Conflat® is a registered trademark of Varian Associates • Throttlemaster™ is a registered trademark of Vacuum Research Corporation