



- 6061 Aluminum or Mild Steel
- All Valves (RoHS) 2002/95/EC Compliant
- Electroless Nickel Optional on Steel Valves
- Optional Operation to 10 Bar, 147 PSIG
- ISO-k Flanges Standard, f Style Optional
- Flanges to Match Diffusion & Cryo Pumps
- Extremely Low Outgassing Rate
- Leak Tested To  $5 \times 10^{-10}$  Std. cc/sec
- Automatic Closure on Power Failure
- Optional Open/Closed Position Indicators
- High Conductance Full Opening Port

**ORDERING INFORMATION**

**Model Number:** Refer to page 2 for instructions on how to specify the features you need.  
**Electronic Position Indicators:** Two reed switches activated by a magnet inside the pneumatic actuator provide contact closure for open and closed positions. Add 'LSE' to Model No., refer to page 44 for specifications. . . . . \$138. /pair  
**Roughing Ports or Gauge Ports:** Standard location is 180° from side port as shown in drawing. Other locations and more than one port are available.

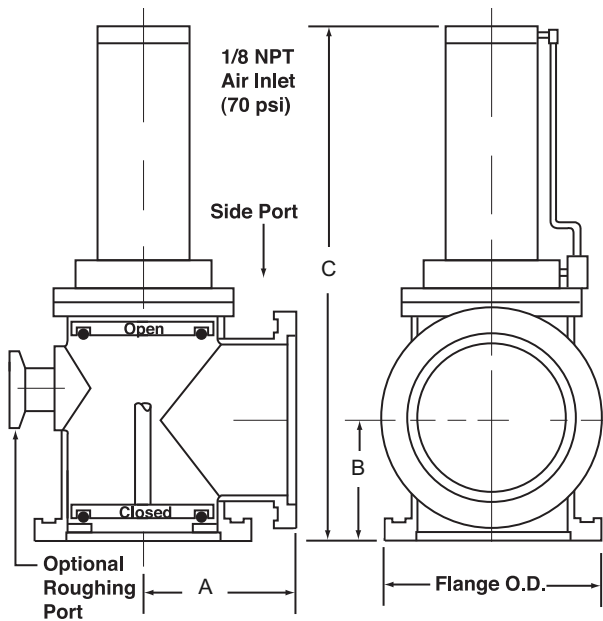
<b>Available on Any Size Valve</b>		<b>Available on 6 Inch or Larger Valves</b>	
NW-16 . . . . .	\$134.	ISO k 63 . . . . .	\$241.
NW-25 . . . . .	\$145.	ISO k 80 . . . . .	\$314.
NW-40 . . . . .	\$168.	ISO k 100 . . . . .	\$342.
NW-50 (Not On 63) . . . . .	\$179.		

ISO-f flanges available for side or bottom ports at same price.

**Special Features:** See pages 44 to 46 for information on special features and accessories.  
**Viton® or Kalrez® or Silicone O-Rings:** Our standard Poppet Valves use Buna-N O-Rings. You may specify Viton® (or other materials) throughout the valve with a "V", "S", or "K" in the model number. For Viton® add the following to the price. (For Silicone or Kalrez® contact the factory for prices.)

ISO-63 . . . . .	\$50.	ISO-250 . . . . .	\$196.
ISO-100 . . . . .	\$76.	ISO-320 . . . . .	\$252.
ISO-160 . . . . .	\$94.	ISO-400 . . . . .	contact factory
ISO-200 . . . . .	\$150.	ISO-500 . . . . .	contact factory

Poppet valves from ISO 250 to ISO 500 are designed to seal with vacuum on the bottom port and atmosphere on the side port. If you need to seal the valve with atmosphere on the bottom port (Pushing the valve open) specify this on your inquiry and a larger cylinder will be provided.



Nominal Size	Molecular Conductance	For Mild Steel Use "AVMS" Basic Valve Style in Model No.	Port Flanges Outside Diameter	Flange to Flange "A" Dimension	Overall Height "B" Dimension	Roughing Port Sizes Available	Aluminum Weight, lbs (kg)		Aluminum Price	Mild Steel Weight, lbs (kg)		Mild Steel Price
							Net	Ship		Net	Ship	
ISO 63	160	AV-63 ISO-k	95 mm	88 mm	373 mm	NW-16 to NW-40	13 (5.9)	18 (8.2)	\$1177.	25 (11)	40 (18)	\$1101.
ISO 100	440	AV-100 ISO-k	130 mm	108 mm	394 mm	NW-16 to NW-40	15 (6.8)	24 (11)	\$1513.	40 (18)	49 (22)	\$1420.
ISO160	1,000	AV-160 ISO-k	180 mm	138 mm	424 mm	NW-16 to ISO-100	28 (13)	42 (19)	\$1605.	50 (27)	74 (34)	\$1538.
ISO 200	1,920	AV-200 ISO-k	240 mm	184 mm	800 mm	NW-16 to ISO-100	55 (25)	75 (34)	\$2346.	95 (43)	115 (52)	\$2202.
ISO 250	3,000	AV-250 ISO-k	290 mm	235 mm	850 mm	NW-16 to ISO-100	70 (32)	95 (43)	\$3473.	125 (57)	150 (68)	\$3267.
ISO 320	5,060	AV-320 ISO-k	370 mm	276 mm	869 mm	NW-16 to ISO-200	95 (43)	130 (59)	\$4167.	150 (68)	185 (84)	\$3998.
ISO 400	8,550	AV-400 ISO-k	450 mm	337 mm	1067 mm	NW-16 to ISO-320	125 (49)	180 (71)	\$8227.	520 (236)	755 (343)	\$7486.
ISO 500	21,840	AV-500 ISO-k	550 mm	387 mm	1372 mm	NW-16 to ISO-320	280 (130)	335 (152)	\$12333.	800 (363)	1200 (545)	\$11221.

Standard Exterior of Mild Steel Valves Painted, Turbine Blue.

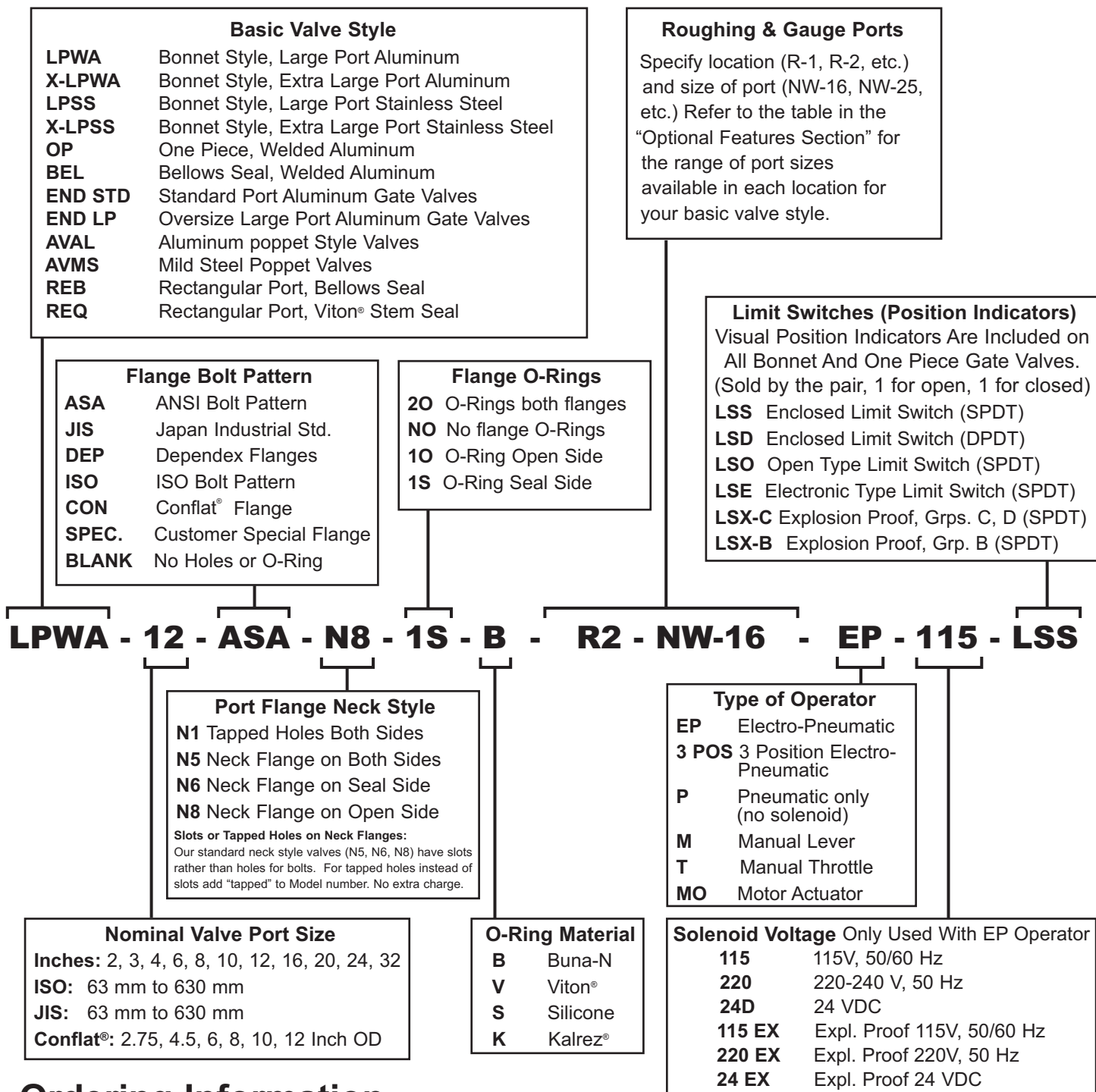


# Model Numbering System

VRC Valves are  
Manufactured in  
the USA.



Vacuum Research valves are available with dozens of options to allow you to select exactly the features you need for your vacuum system. The model number system illustrated below will accurately describe most valves, but if you have any questions about the best way to specify what you need, just call or fax our customer service department and we will be happy to help you. All Valves (RoHS) 2002/95/EC Compliant.



## Ordering Information



Call our toll free number (800) 426-9340, or (412) 261-7630 to place orders, or for customer service. Our FAX number is (412) 261-7220. Address orders by mail to Vacuum Research Corporation,



2419 Smallman Street, Pittsburgh, PA 15222 USA. Prices in this catalog are FOB factory. CIF or C&F prices available. Contact factory for pro forma invoice or price quotation. Terms are Net 30 Days.



Kalrez® and Viton® are registered trademarks of Dupont Corp. • Conflat® is a registered trademark of Varian Associates • Throttlemaster™ is a registered trademark of Vacuum Research Corporation