



Stainless steel dust baffle for 1/8" NPT gauge tubes

Stainless Steel Baffles designed for applications where dust and dirt can cause short gauge tube life. Typical applications include freeze drying, vacuum melting, and steel degassing. These inexpensive baffles are easy to use. Just screw the baffle into the vacuum system then screw tube into the back end of the baffle.

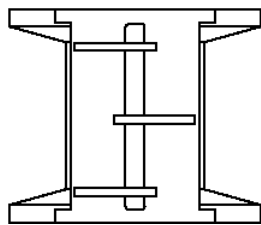
Dust Baffle for 1/8" NPT Tubes; Pirani, T/C, and Diaphragm External and internal parts are all 300 series stainless steel. Inlet and outlet ports are 1/8 inch NPT. P/N: 912007 \$110.

Bidirectional Dust Baffle for NW-16 and 1/8 NPT External and internal parts are all 300 series stainless steel. NW-16 flange on one end, 1/8 NPT on other. P/N: 912003 \$143.

Snubber Style Baffle; 1/8" NPT Inlet & Outlet Protects diaphragm sensors from fatigue failure when installed on the discharge side of Roots type blowers. 300 series S.S. P/N: 912016 \$117.

High Conductance Stainless Steel Baffles For gauges operating below 10^{-3} Torr. NW-16 Flanges each end, 1.4 inch overall length, P/N 912278 \$165. NW-25 Flanges each end, 1.4 inch overall length, P/N 912249 \$165.

Dust Baffle for 3/4" OD Tubes; 100 mTorr Gauges Fits into 3/4 inch quick connect and has 3/4 inch quick connect for the gauge tube. 300 series S.S. P/N: 912153 \$186



High conductance baffles for gauges operating below 10^{-3} Torr.

Brass Baffles with Quick Connect or 1/8 NPT Threads

This baffle will extend the life of your gauge tubes by keeping dust and oil vapors from condensing in the tube. It provides a labyrinth with eight 90° turns between the tube and the vacuum system but the large internal diameters provide fast response and are easy to clean. Note that standard 1/8 inch NPT thermocouple and Pirani tubes are .403 inch outside diameter. O-Ring in quick connect is Buna-N.

Quick Connect Baffle with 1/8 NPT male to system & quick connect (.403 inch outside diameter) for gauge tube, P/N: 912184 \$170.

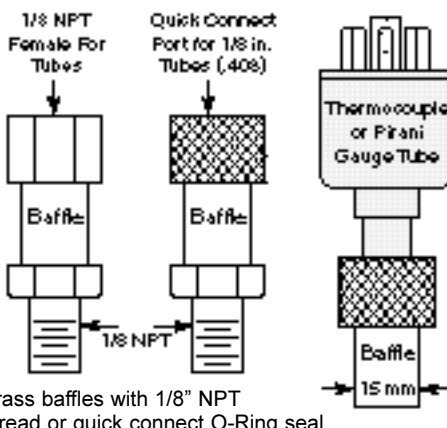
Quick Connect Baffle with 1/8 NPT male to system & quick connect (.500 inch outside diameter) for gauge tube, P/N: 912187 \$159.

Quick Connect Baffle with 15 mm O.D. to system & quick connect (.403 inch outside diameter) for gauge tube, P/N: 912185 \$159.

Quick Connect Baffle with 15 mm O.D. to system & quick connect (.500 inch outside diameter) for gauge tube, P/N: 912182 \$138.

Threaded Baffle with 15 mm O.D. to system & 1/8 NPT female thread for gauge tube, P/N: 912214 \$90.

Threaded Baffle with 1/8 NPT male thread for system & 1/8 NPT female thread for gauge tube, P/N: 912215 \$127.



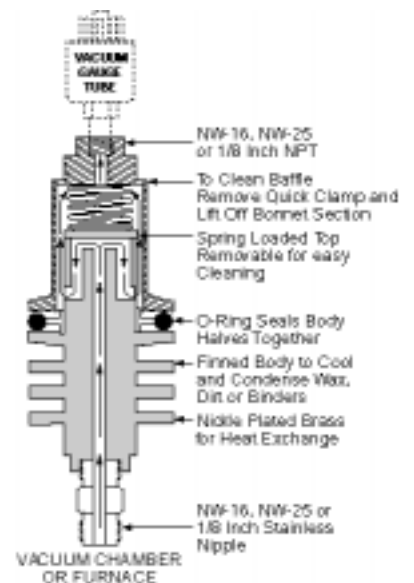
Brass baffles with 1/8" NPT thread or quick connect O-Ring seal

Wax & Binder Traps for Sintering

These traps require no cooling water but rely on the large surface of the body fins for convection cooling. The tortuous path and large internal surface area provide ample space for waxes and binders to condense before reaching the gauge tube. The trap can be opened, cleaned and returned to service in a matter of minutes and no tools are required. The standard trap has 1/8 inch NPT inlet and outlet but any pipe size or KF Style flange can be provided.

1/8 inch NPT inlet and outlet, P/N: 912224 \$254.

1/8 inch NPT inlet, NW-16 outlet, P/N: 912221 \$297.



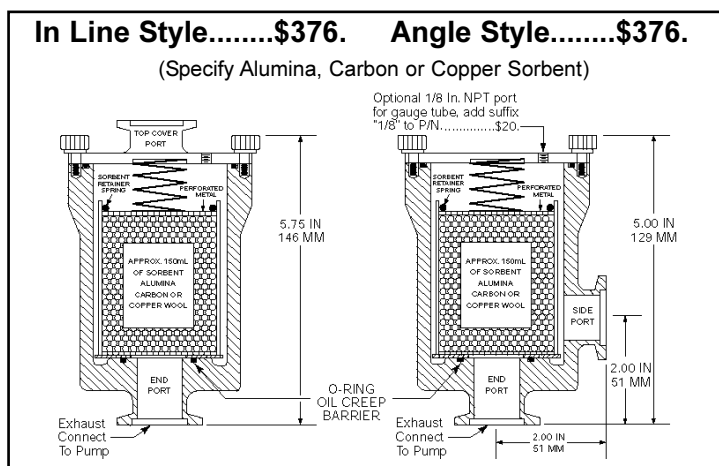


Gauge Tube Protector Trap with Sorbent Basket



Left to right: Angle style with optional Pirani/TC tube, Inline style trap with NW-25, Angle style with 1 inch hose connections

- Select Copper Wool, Activated Alumina or Carbon
- Available in Both Right Angle and Inline Styles
- Orient in Any Direction, Spring Loaded Sorbent Bed
- Positive Creep Proof Design with O-Ring Seal
- Fits Pumps up to 20 CFM, 34 m³/Hr, 550 l/min.
- Leak Tested to Better than 2 X 10⁻⁹ scc/sec
- Any Mix of Ports for Rubber Hose or NW Flanges
- No Tools Needed For Easy Sorbent Replacement
- Aluminum Body and Sorbent Basket; 316 SS Spring



Part Number	Port Size/Style
INLINE TRAP 16 INLINE TRAP 25 INLINE TRAP 3/4 INLINE TRAP 1.0 INLINE TRAP 1.25	NW-16 Flange NW-25 Flange 3/4" Outside Diameter 1" Outside Diameter 1 1/4" Outside Diameter
ANGLE TRAP 16 ANGLE TRAP 25 ANGLE TRAP 3/4 ANGLE TRAP 1.0 ANGLE TRAP 1.25	NW-16 Flange NW-25 Flange 3/4" Outside Diameter 1" Outside Diameter 1 1/4" Outside Diameter

Also available with mixed flanges, such as: NW-16 on one port and NW-25 on the other.

Replacement Sorbent and Spare Parts

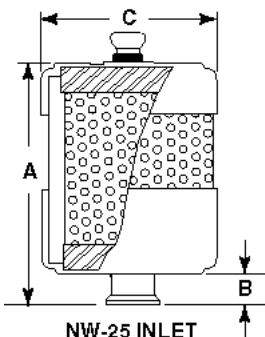
Description	Part No.	Price	Description	Part No.	Price	
Activated Alumina Sorbent, approximately 300 ml (two charges)	V801163	\$25.00		Sorbent Basket Assembly (without sorbent)	V801160	\$87.00
Activated Carbon Sorbent, approximately 300 ml (two charges)	V801164	24.00		Top Cover O-Ring	V206141	3.00
Copper Wool Sorbent, approximately 300 ml (two charges)	V801165	35.00		Sorbent Basket O-Ring	V206142	4.00
One container of 2 sorbent charges is included with each trap.				Spring	V308654	10.00
				Thumb Screws, set of 4	V801162	3.00

Exhaust Filters

- Model Ex. Fil. NW-25 7 cfm P/N RV810220.....\$164.
- Model Ex. Fil. NW-25 16 cfm P/N RV810230....\$180.
- Model Ex. Fil. NW-25 28 cfm P/N RV810240....\$223.

Replacement Elements

- Model RPL. Elem. 7 cfm P/N RV810221.....\$34.
- Model RPL. Elem. 16 cfm P/N RV810231.....\$52.
- Model RPL. Elem. 28 cfm P/N RV810241.....\$66.



Dimensions				
P/N	A	B	C	Flow
RV 810220	5.5	0.88	2.5	7 cfm
RV 810230	5.25	0.88	5.13	16 cfm
RV 810240	9.25	2.13	5.13	28 cfm