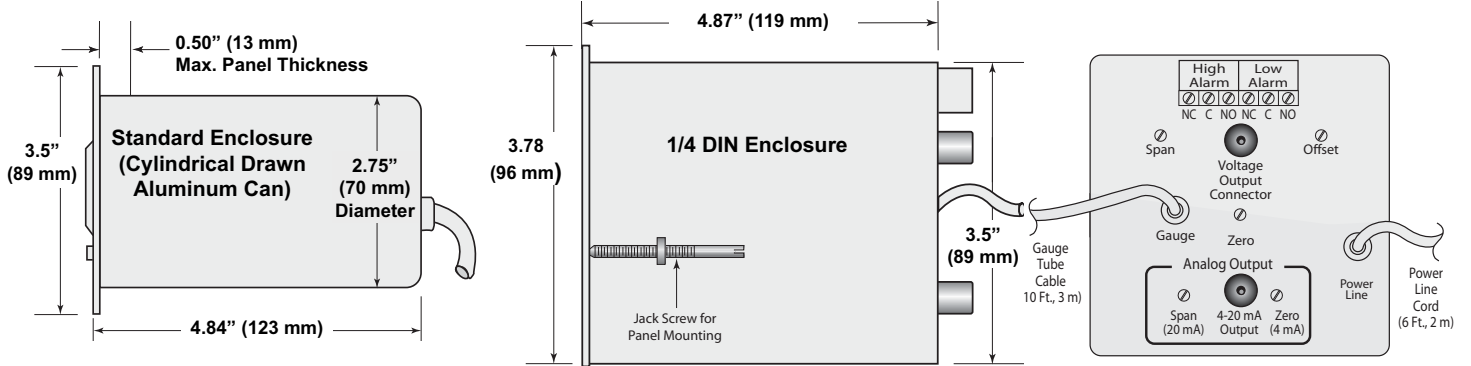


## Pirani, Thermocouple and Diaphragm Gauge Enclosure



### Standard Enclosure

Standard enclosure has a cylindrical body that fits the same 2.8 inch panel cutout as Hastings, Televac and other gauges. Panel mounting hardware is included with standard enclosure.

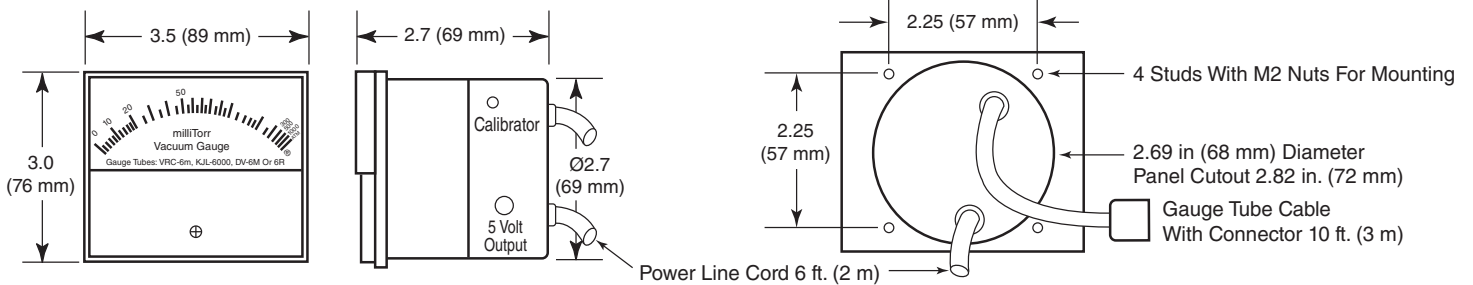
### 1/4 DIN Enclosure

The 1/4 DIN enclosure is rectangular and fits the standard 92 mm x 92 mm panel cutout. Panel mounting jackscrews are included with 1/4 DIN enclosures.

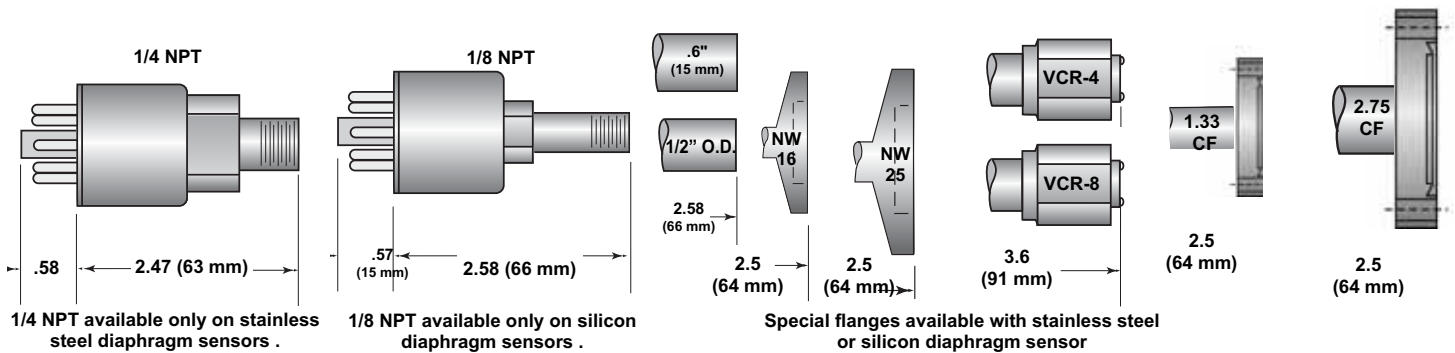
### Rear Panel

Rear Panel shows optional two set points and 4-20 mA output.

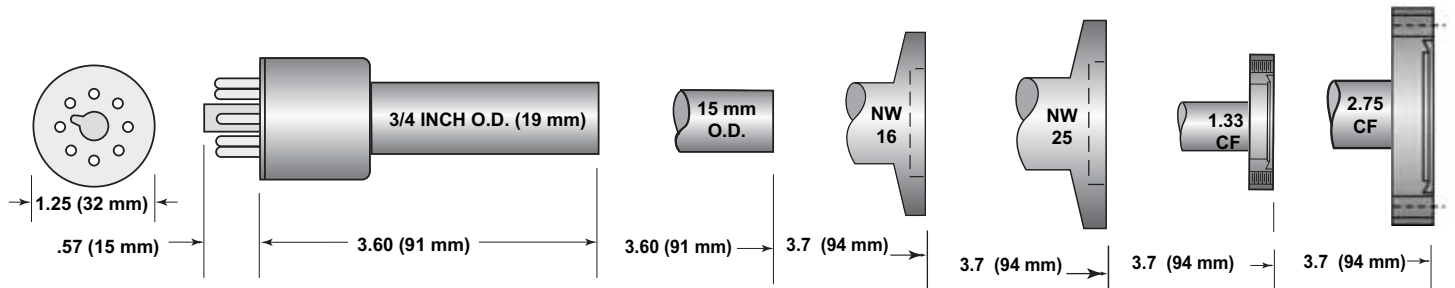
## Thermocouple Gauge Dimensions



## Pirani, T/C, Diaphragm Gauge Sensors. 2000 mTorr, 20 Torr, 1500 Torr, 30" Hg to 150 PSI, 20, 200 & 1000 PSI

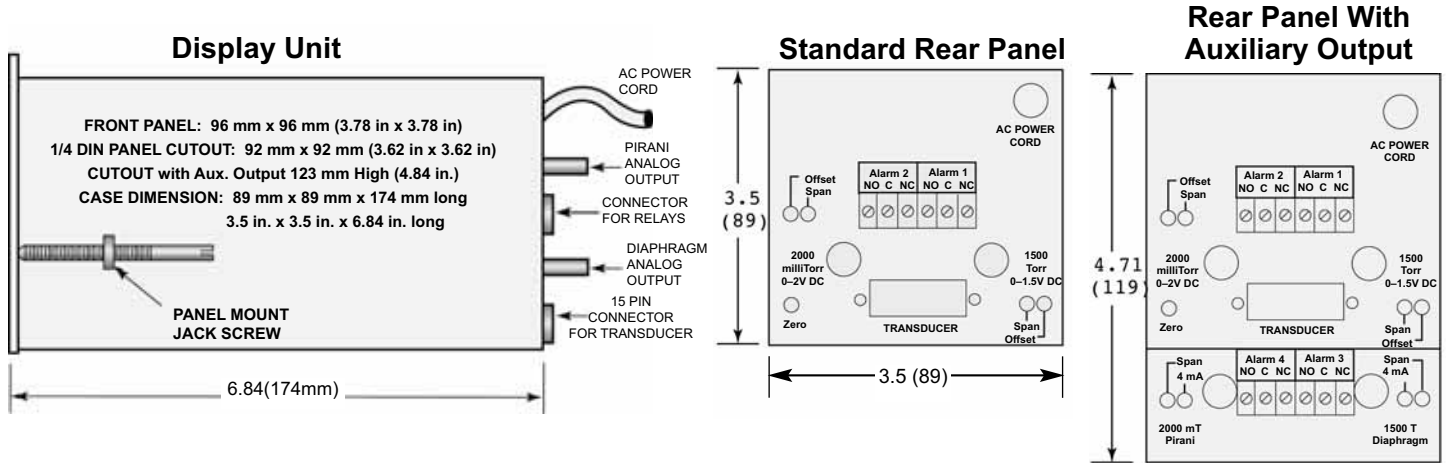


## Pirani Gauge Tubes: 0.01 to 100 mTorr

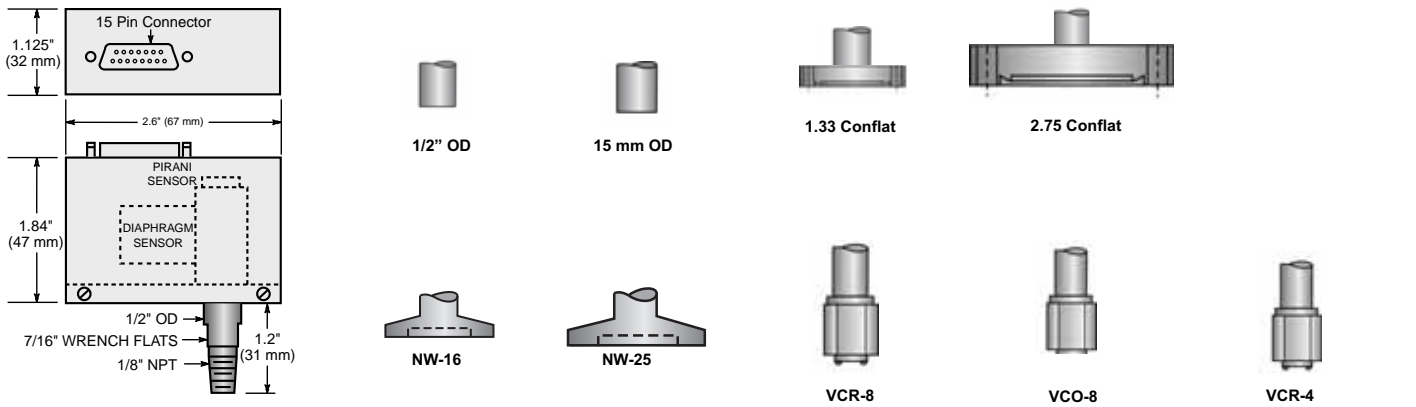




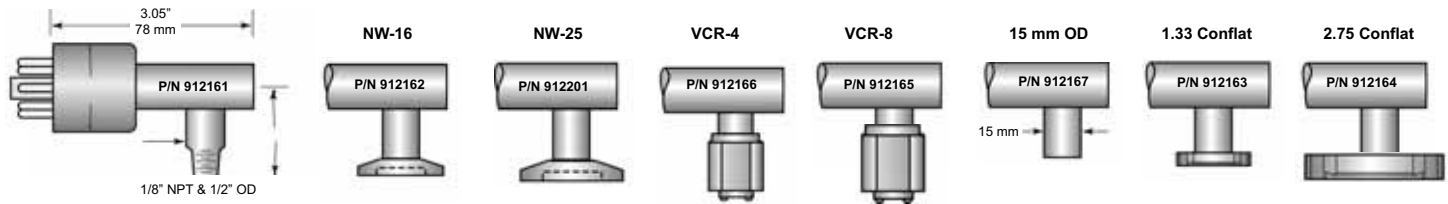
# Dimensions: Wide Range & 1200.0 Torr Manometers Display Unit, Convection Gauges and Killark Explosion Proof Enclosure



## Transducers For Wide Range Manometer



## Angle Style Convection Gauge Tubes



## Inline Style Convection Gauge Tubes

