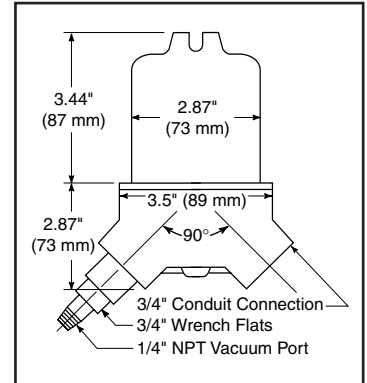


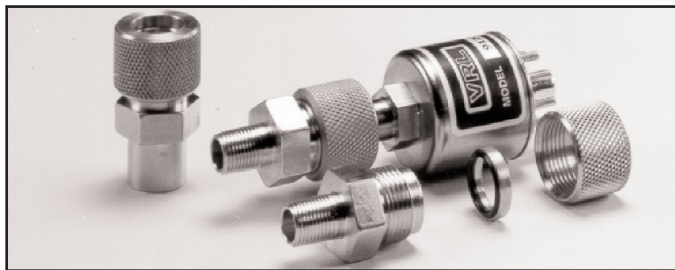


These explosion proof Diaphragm and Pirani sensors can be used with any of the indicators and controllers described in this catalog. These sensors are complete and ready to install in any Class 1, Group C or D, Div. 1 area. Simply select the range that fits your application from the table below. Like standard Vacuum Research sensors, these explosion-proof sensors are unaffected by lead length and can be located up to 500 feet (150 m) from the display unit.



| Ordering Information<br>Gauge Tube Range and Description |                           | Maximum Working Pressure | Complete Enclosure with Sensor |        | Replacement Sensor Only |        |
|--|---------------------------|--------------------------|--------------------------------|--------|-------------------------|--------|
|  |                           |                          | Part No.                       | Price  | Part No.                | Price  |
| 1 to 2000 mTorr  | Pirani                    | 300 PSIG                 | 913006                         | \$494. | 902077-OR               | \$116. |
| .01 to 20 Torr   | Pirani                    | 300 PSIG                 | 913007                         | \$494. | 902089                  | \$116. |
| 1 to 1500 Torr   | Stainless Steel Diaphragm | 30 PSIG                  | 913001                         | \$788. | 902079                  | \$426. |
| 1 to 1500 Torr   | Silicon Diaphragm         | 30 PSIG                  | 913002                         | \$744. | 902078-OR               | \$259. |
| 30 in Hg to 150.0 PSIG                                   | Silicon Diaphragm         | 150 PSIG                 | 913003                         | \$744. | 902086                  | \$259. |
| 1 to 20 PSIG   | Silicon Diaphragm         | 90 PSIG                  | 913004                         | \$744. | 902087                  | \$259. |
| 1 to 200 PSIG  | Silicon Diaphragm         | 300 PSIG                 | 913005                         | \$744. | 902088                  | \$259. |

**Quick Connect Couplings**



Reliable brass quick connect adapters give a leak tight seal without the use of tools. The quick connect seals on the unthreaded (.404 inch diameter) portion of our standard 1/8" NPT gauge tubes. For the permanent connection to your system select either 1/8" NPT or 15 mm diameter.

**Brass QC .404 X 1/8" NPT** P/N: 912108 .....\$110.

**Brass QC .404 X 15mm** P/N: 912109 .....\$99.

**For Stainless Steel Body (Brass Nut)** Add "SS" prefix to part number and to the price .....add \$65.

**Waterproof Vacuum Sensors**



Totally waterproof boot that fits all Pirani, Diaphragm, and Thermocouple gauge tubes. With this inexpensive option, sensors can be installed in wet and high humidity areas. Even 100% RH with condensation occurring is acceptable

because with this boot in place the only parts exposed to the moisture are the stem and cup, and these are 300 series stainless steel on all vacuum sensors and gauge tubes.

**Waterproof Boot for Gauge Tubes** P/N: 902416 .....\$33.

**Vinyl Cap for Gauge Tube Connector Pins**  
P/N: 912124 .....\$1.

**Gauge Tube Extension Cables**



All extension cables are shipped ready to use with connectors at both ends.

**Extension Cable for Wide Range Diaphragm Manometer Transducers**

Up to 75 Meter (250 ft.) max. with 2 connectors. P/N: 902080\$45. . . . plus \$1.00 per foot

**Extension Cable for Pirani, Thermocouple, Convection, & Diaphragm Gauge Tubes**

Up to 150 Meter (500 ft.) max. with 2 connectors. P/N: 912063 \$25. . . plus \$1.00 per foot

**Cable Only without Connectors** In one piece or installed as extra length on new gauges. P/N: V122195. . . . . \$0.90 per foot

**Connector Assemblies for Pirani, Thermocouple, Convection, and Diaphragm Gauges**

Male, P/N V805008 . . . . \$11. each

Female, P/N V805009 . . . . \$11. each