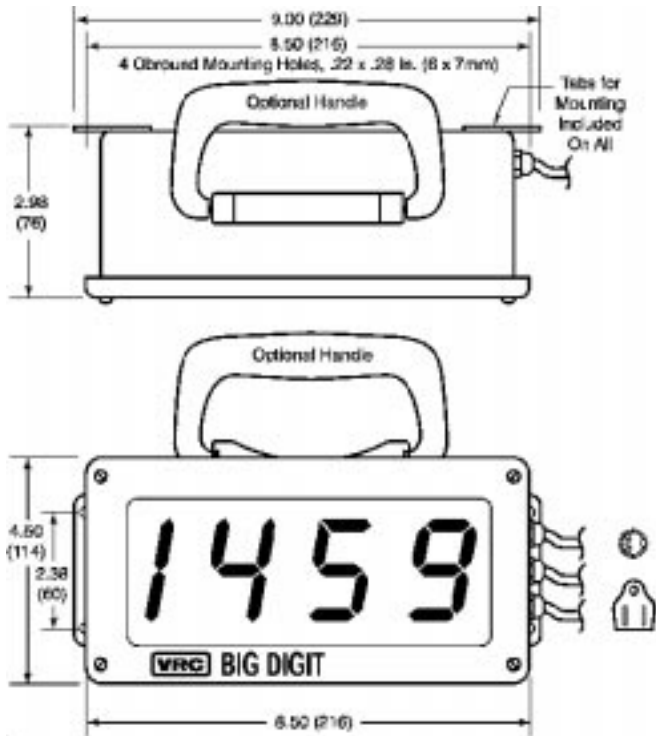


Dimensions and Mounting



Industry Standards:

NEMA Type 12 and Type 13
IEC 529 and IP 65

Power:

Specify 115 or 230 VAC 50/60 Hz. Less than 10 watts.

Net Weight:

Indicator or Controller: 3.8 lbs. (1.7 kg)

Shipping Weight:

Indicator or Controller: 5 lbs. (2.3 kg)

Cables with Connectors

J or K Thermocouple instruments have an 18 inch pigtail with a female T/C connector is provided.

4 to 20 mA and 0 to 2000 mV instruments have an 18 inch pigtail with DIN style mating connector.

Power Line Cord

65 in. (170 cm) Specify 115 or 220V, 50/60 Hz.

Alarm Contacts

Monitors with the optional alarm/control set points have an 18 inch pigtail with mating connector for the SPDT unpowered (Form C) outputs from the relay. Contacts rated up to 3 A @ 115 or 220 VAC non-inductive.

Ordering Information

Temperature Monitor

- Type J or K Thermocouples
- Thermocouple Break Protection
- Cold Junction Compensation
- Linear Analog Output

These temperature monitors for data systems include a miniature thermocouple connector (female) on an 18 inch long pigtail and provide cold junction compensation, thermocouple break protection, and linearization for either J or K thermocouples. Analog output is 1 mV per °C or °F.

T/C Type	Resolution 1 °C	Resolution 1 °F
J T/C	0 to 750 °C	0 to 1400 °F
K T/C	0 to 1250 °C	0 to 2000 °F

Big Digit Monitor Type J T/C, P/N: 912251 \$545.

Big Digit Monitor Type K T/C, P/N: 912252 \$555.

Specify °C or °F when ordering.

Voltage and Current Monitor

- 4 to 20 mA (62.5 ohms)
- 1 to 2000 mV, ±1 mV

These models are shipped with an 18 inch long pigtail and mating DIN Style connectors for easy connection to your signal. Internal resistance for the 4 to 20 mA loop is 62.5 ohms. Impedance of the 0 to 2000 millivolt circuit is greater than 1 Megohm.

Big Digit Monitor 1 - 2000 mV, P/N: 912253 \$355.

Big Digit Monitor 4-20 mA, P/N: 912254 \$355.

Optional Features

Alarm/Control Set Point with Relay An optional adjustable set point for alarm or control is available on any of the 4 monitors described above. An alarm condition is indicated by a large red LED on the front panel plus contact closure. Includes SPDT, form C relay with unpowered contacts rated 3A @ 115 or 220 VAC non-inductive.

Includes an 18 inch pigtail with mating DIN style connectors for easy connection to your data system.

Adjustable Set Point with Relay, P/N: 811671 . . . \$160.
(Add to cost of either T/C, Volt, or mA Monitors)

Optional Handle, P/N: V805005 \$16.