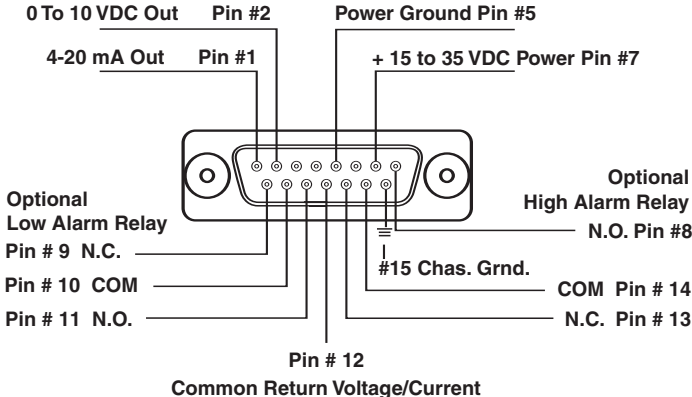


Operating Instructions

Diaphragm Manometer

- 20 milliTorr to 1000 Torr
- .02 millibar to 1000 millibar



**Wiring for DB-15 Connector on
Transmitter, Indicator and Controller**

Specifications

Standard Range: 0.02 to 1000 Torr **Optional Range:** 0.02 to 1000 mbar

Readings From 20 milliTorr to 30.0 Torr

Resolution: ± 10 milliTorr **Sensitivity:** 10 milliTorr
Accuracy: ± 20 milliTorr **Hysteresis:** Less than 10 milliTorr,

Readings From 30.0 Torr to 1,000 Torr:

Resolution: ± 0.1 Torr **Sensitivity:** 0.1 Torr,
Accuracy: ± 1 Torr **Hysteresis:** Less than 0.1Torr,

Display: 4 digit green LED; characters 0.56 in. (15 mm) high.

Calibration: Any gas, liquid or vacuum compatible with sensor materials.

Response Time: For increase in pressure less than 1 second.
 For decrease in pressure below 100 mTorr less than 10 seconds.

Analog Outputs: 2 simultaneous linear signals

- 1.) **0 to 10 Volt DC**, linear, for 0 to 1000 Torr (1mv=100 mTorr)
- 2.) **4-20 mA**. 4mA is always high vacuum (“zero” pressure). But 20 mA can be jumper selected by the user to be 1, 5, 10, 50 or 1000 Torr. Shipped with jumper in 1000 Torr position unless otherwise requested.

Optional Set Points: SPDT (Form C) max current: 250 mA. Maximum power 350mw, Maximum voltage: 250 V AC/DC.

Set Point Range: Full range of instrument. 20 mT to 1,000 Torr

Materials: Diaphragm is 316L Stainless Steel. Other parts in contact with the process are 300 Series Stainless.

Power: Any voltage from +15 to +35 VDC unreg; Less than 250 mA.

Wattage: Less than 1 Watt for indicator; 2 Watts with set points.

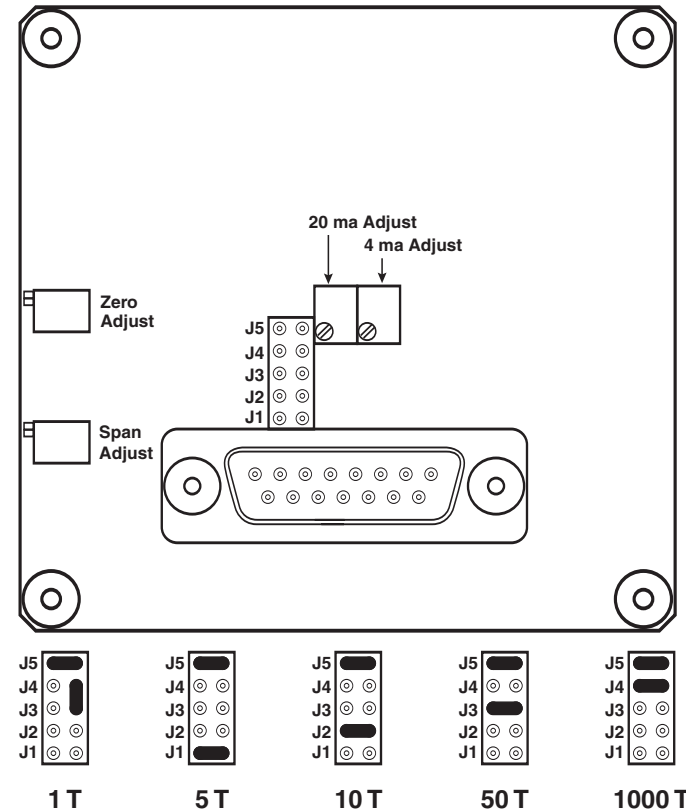
Connector: 15 pin DB 15

Temperature Effects: When changes occur in ambient temperature between 0 °C and 50 °C, reading will change no more than ±0.02% per °C.

Bakeout Temperature: Instrument can be baked to 100 °C (212 °F) in air or vacuum.

Weight: Net : 0.75 lbs. (0.34 kg) Ship: 1.5 lbs. (0.68 kg)

Maximum Pressure: Pressure in excess of 1,000 Torr (5 psig) may damage the diaphragm.



20 ma	1 T	5 T	10 T	50 T	1000 T
19 ma	.937	4.68	9.37	46.87	937
18 ma	.874	4.36	8.75	43.75	874
17 ma	.812	4.05	8.12	40.62	812
16 ma	.749	3.74	7.50	37.50	749
15 ma	.687	3.43	6.87	34.37	687
14 ma	.625	3.11	6.25	31.25	625
13 ma	.562	2.80	5.62	28.12	562
12 ma	.500	2.50	5.00	25.00	500
11 ma	.437	2.18	4.37	21.87	437
10 ma	.375	1.87	3.75	18.75	375
9 ma	.312	1.56	3.12	15.62	312
8 ma	.250	1.25	2.50	12.50	250
7 ma	.187	.937	1.87	9.37	187
6 ma	.126	.625	1.25	6.25	125
5 ma	.062	.312	.625	3.125	62.5
4 ma	0	0	0	0	0